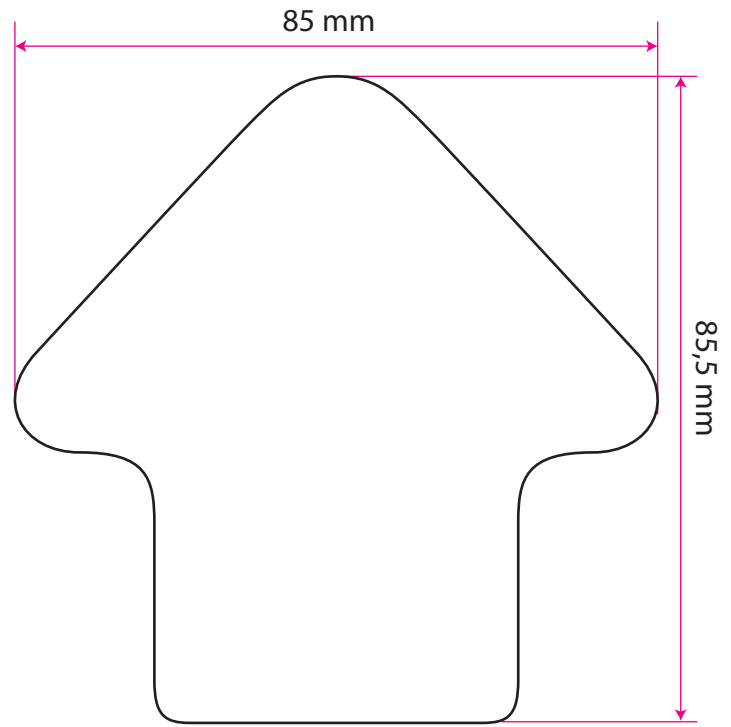
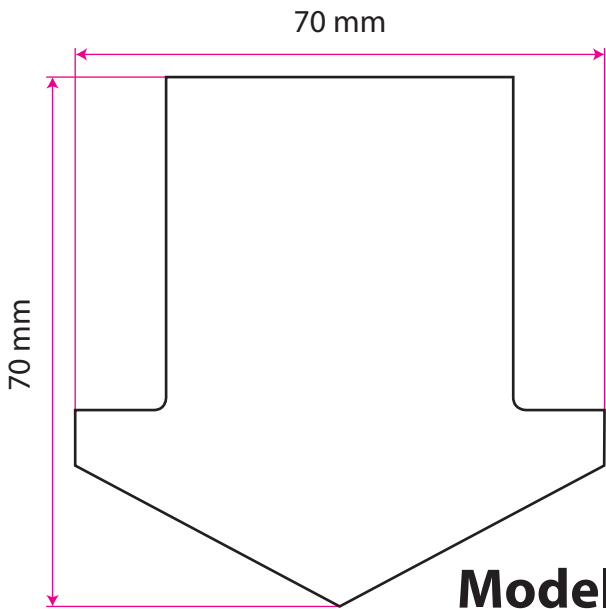


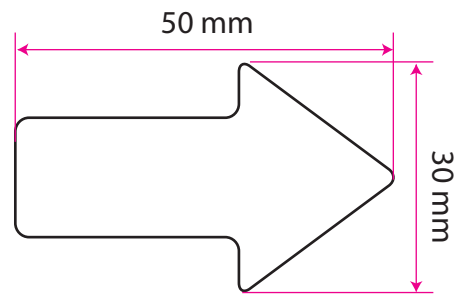
Model 001



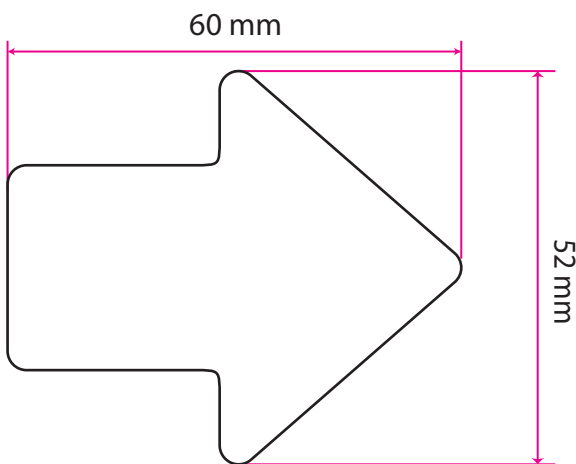
Model 158



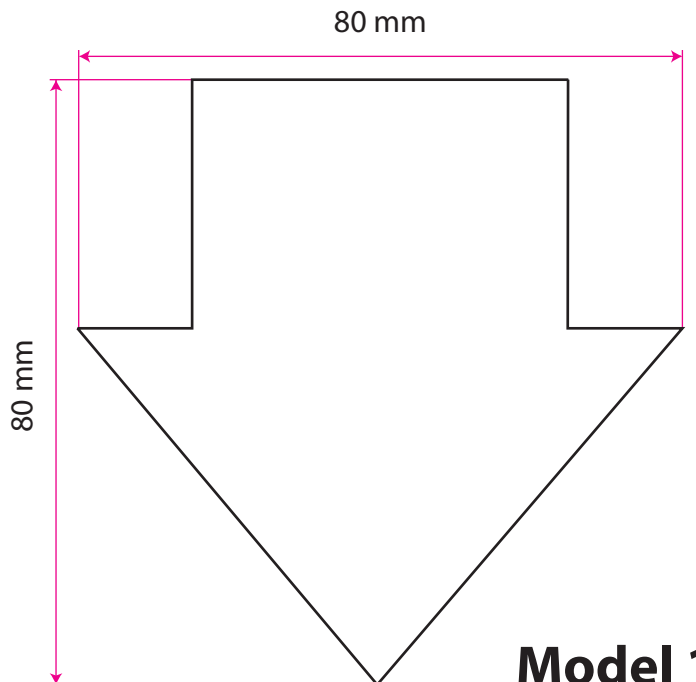
Model 068



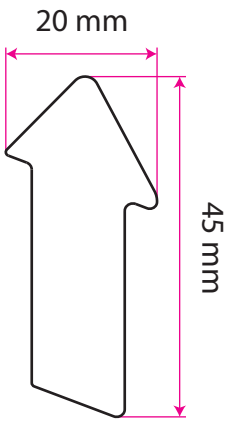
Model 241



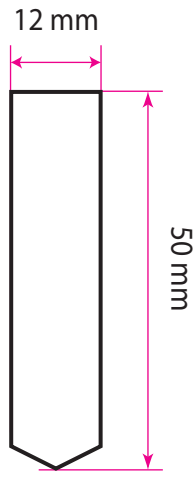
Model 274



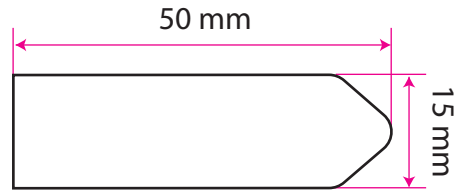
Model 107



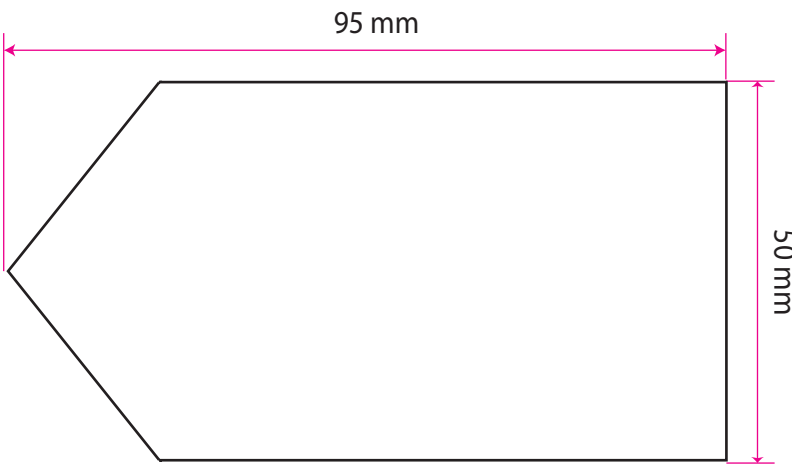
Model 046



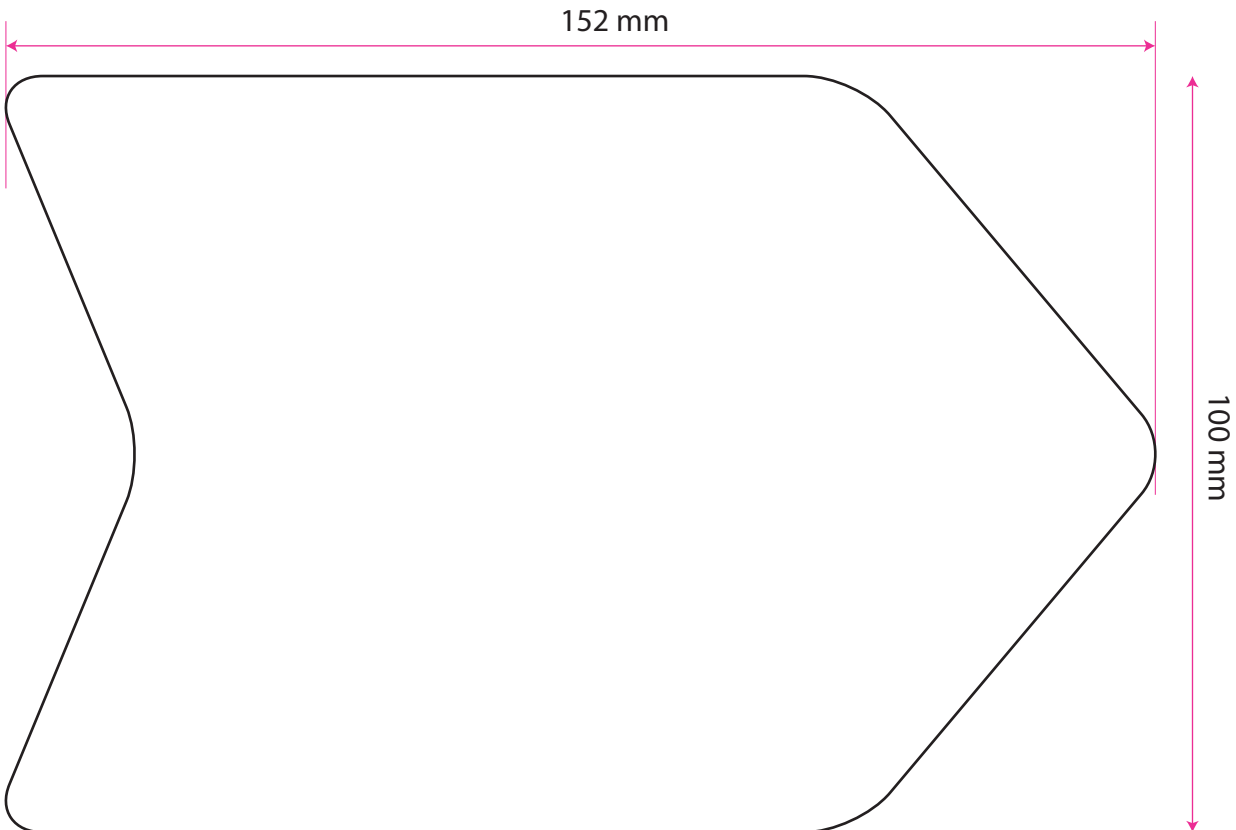
Model 286



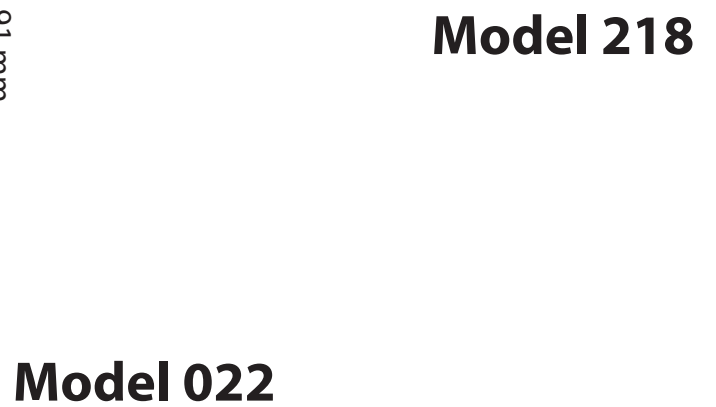
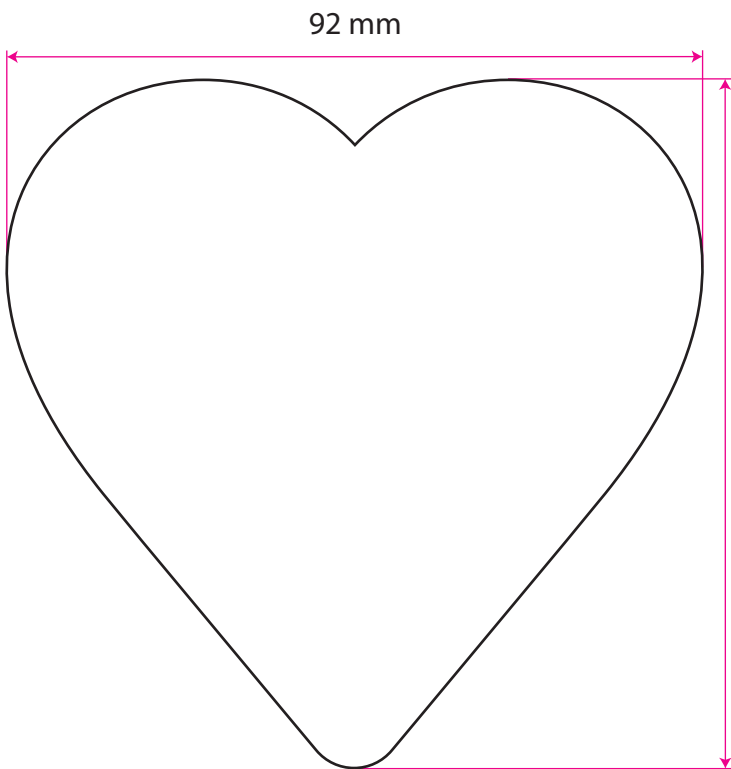
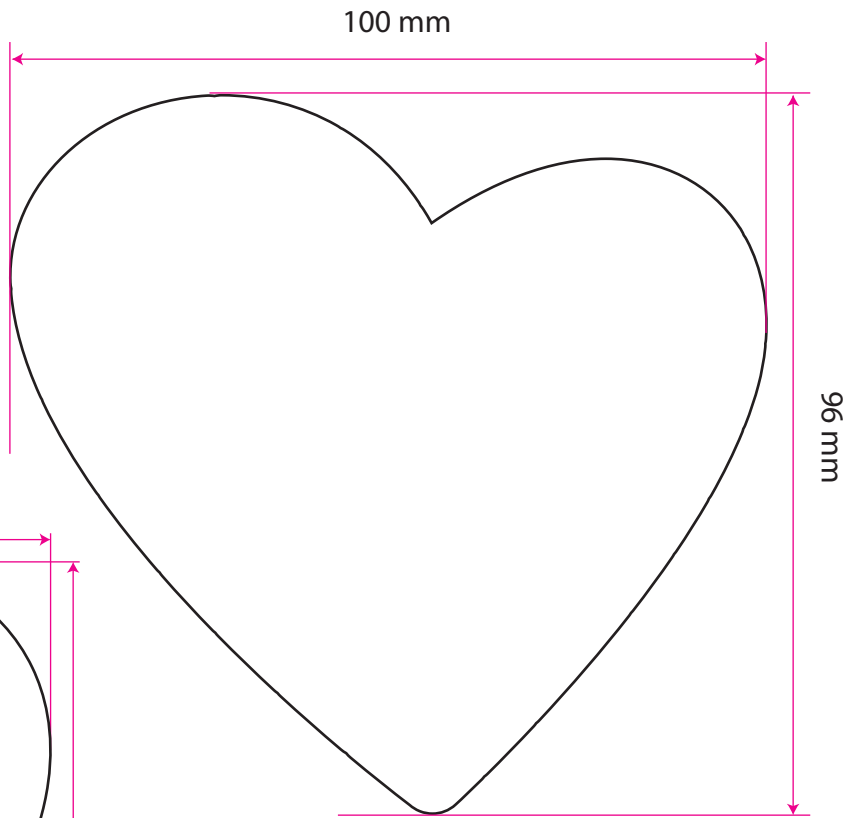
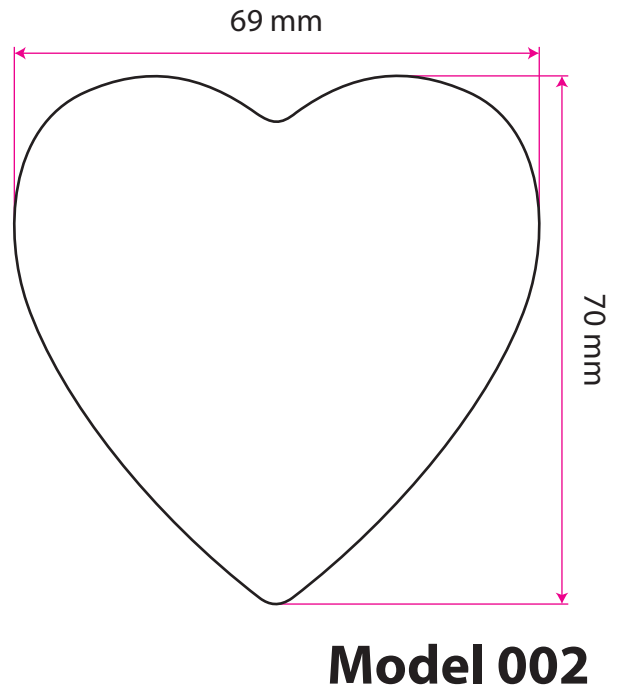
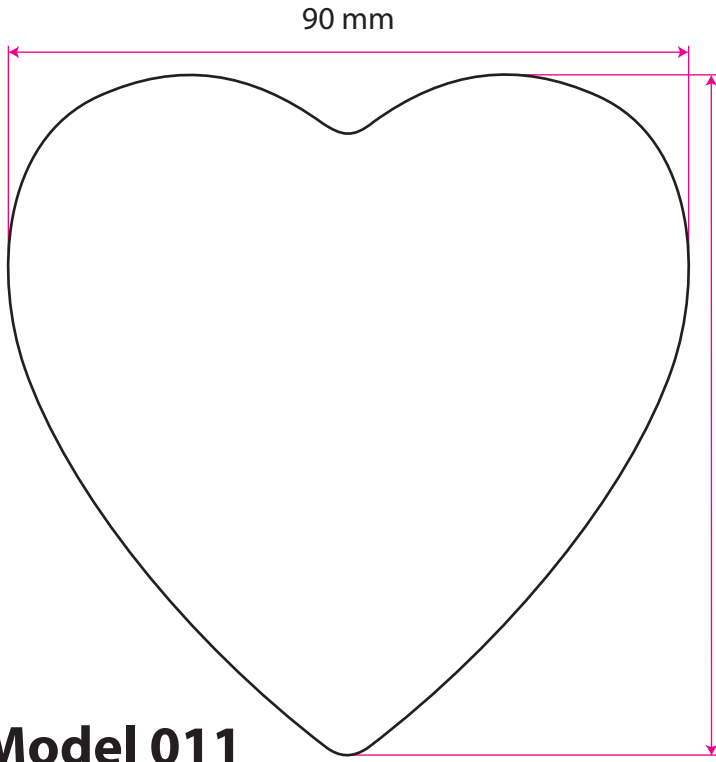
Model 229

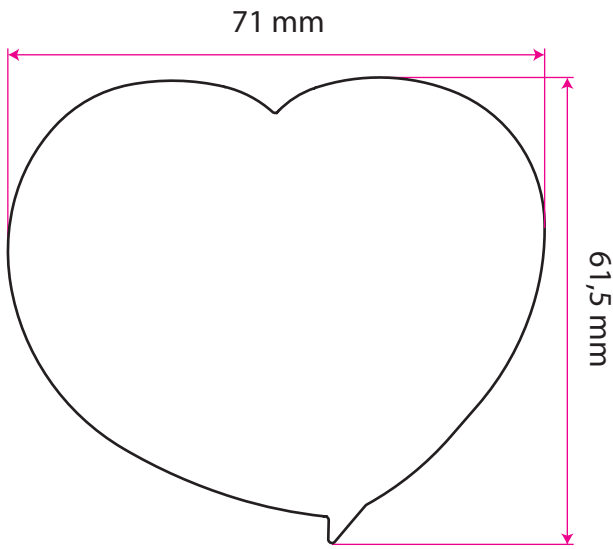


Model 272

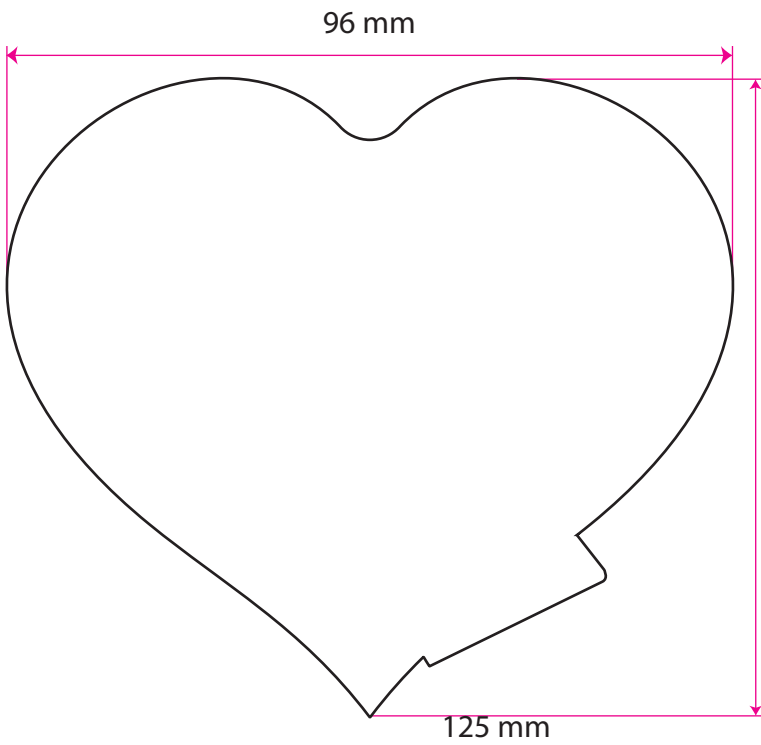


Model 174

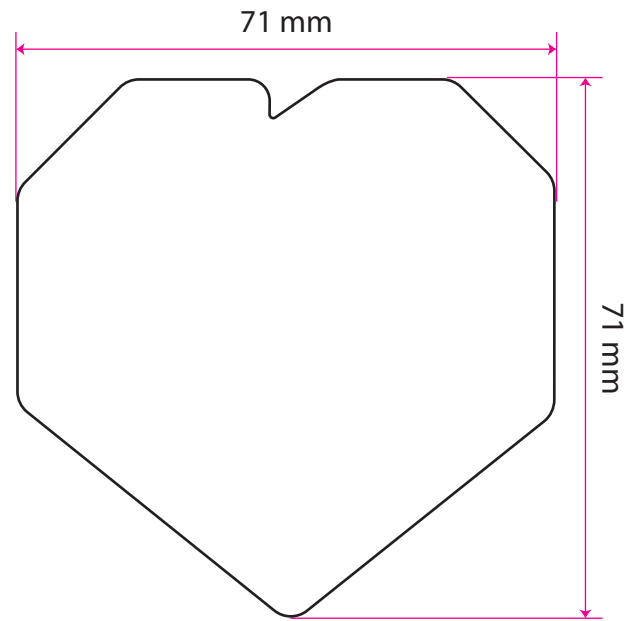




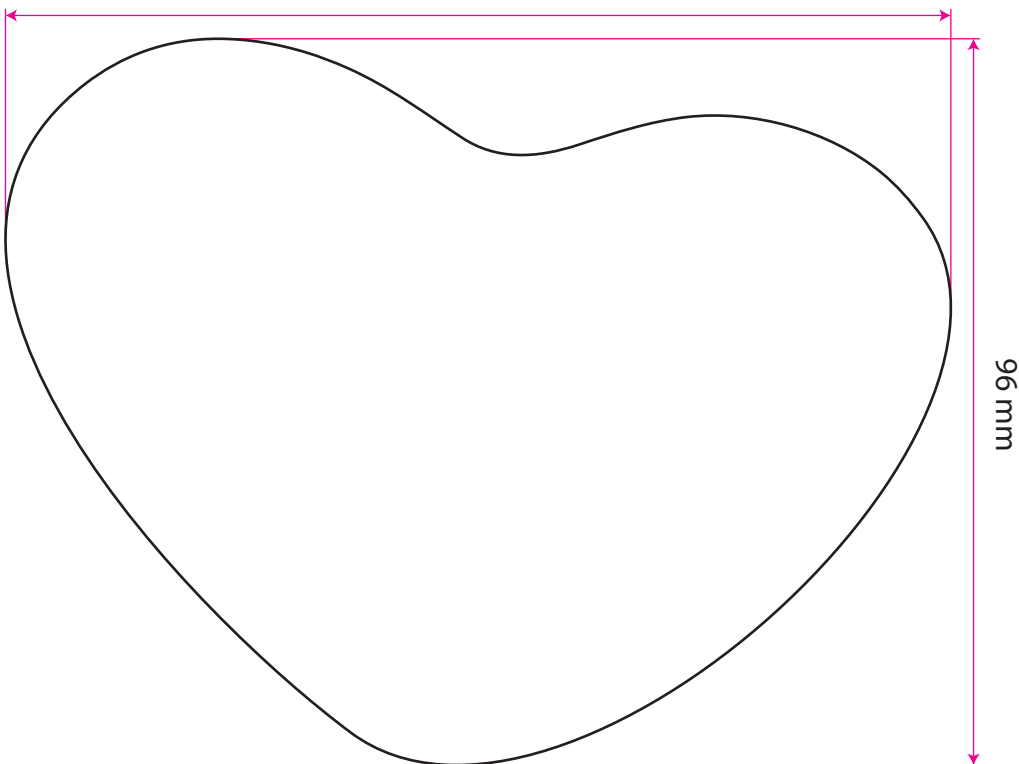
Model 178



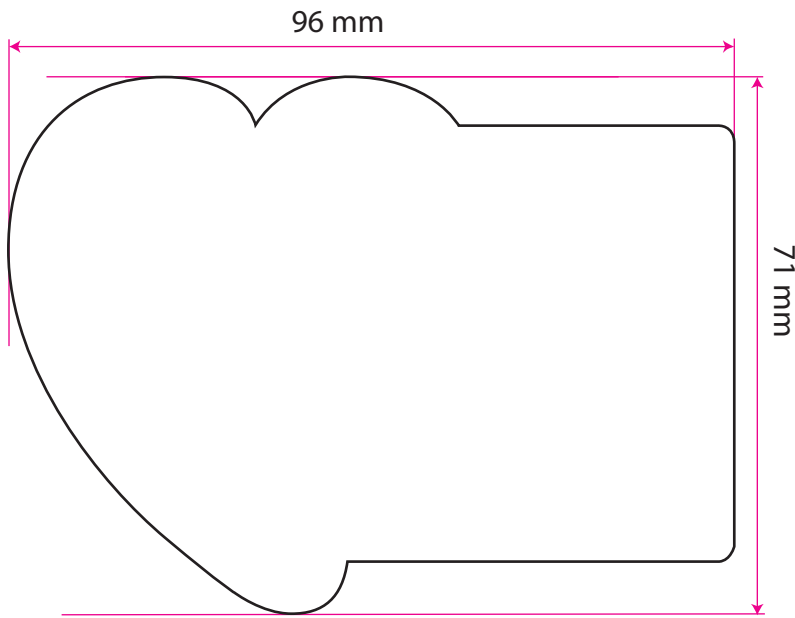
Model 016



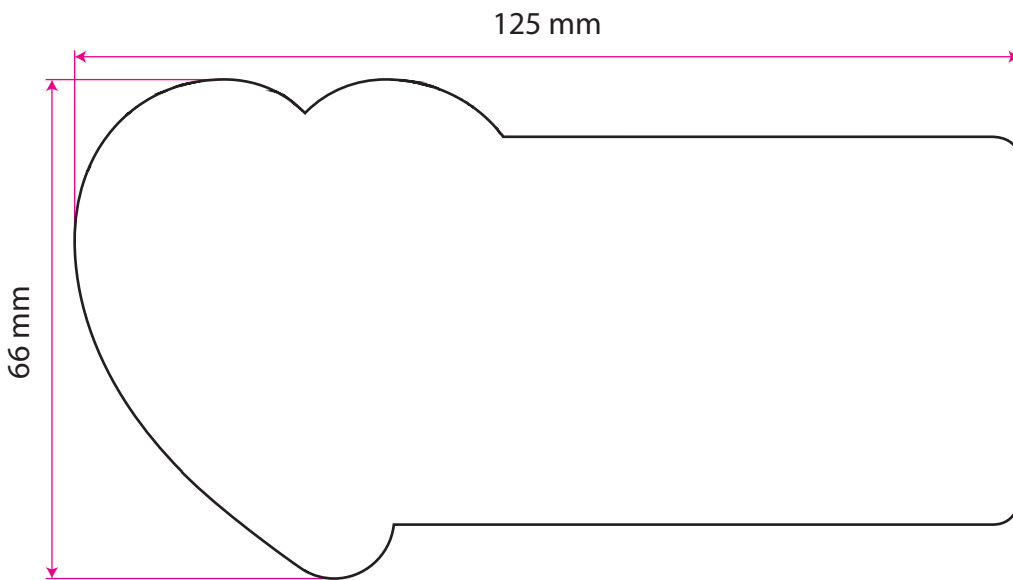
Model 266



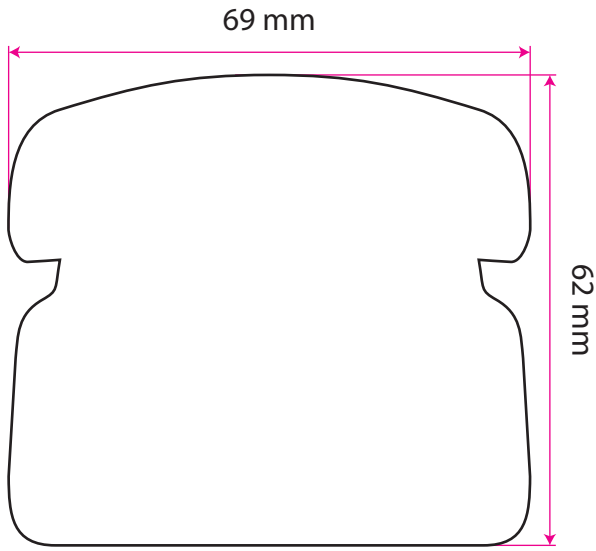
Model 139



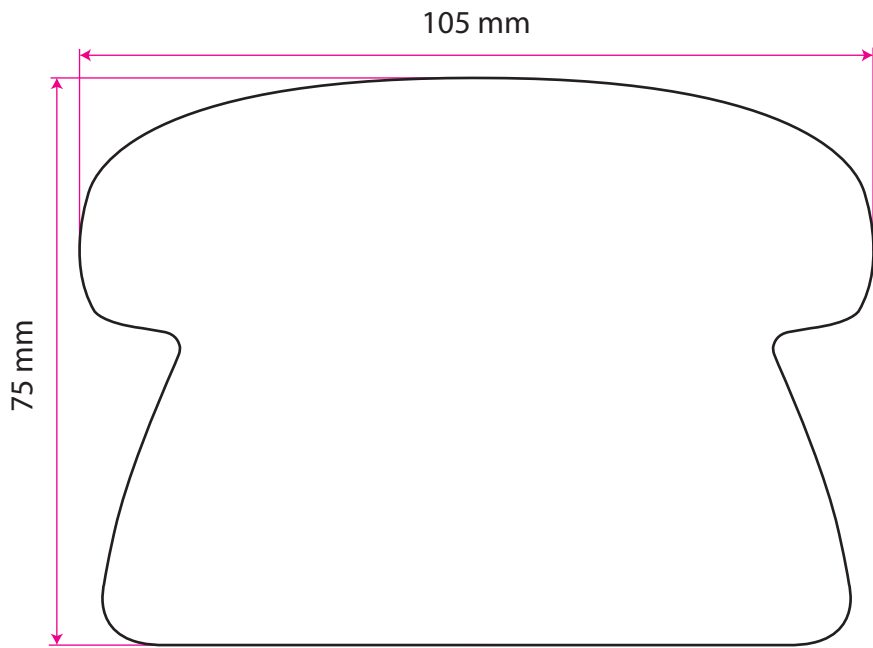
Model 154



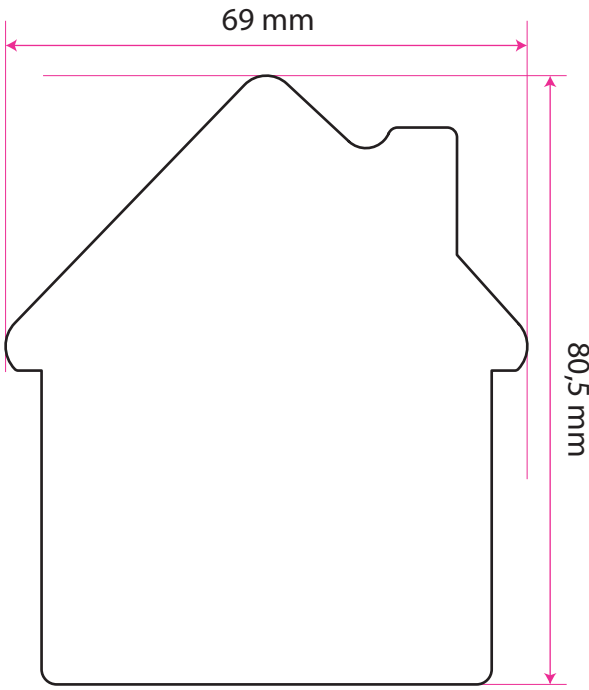
Model 081



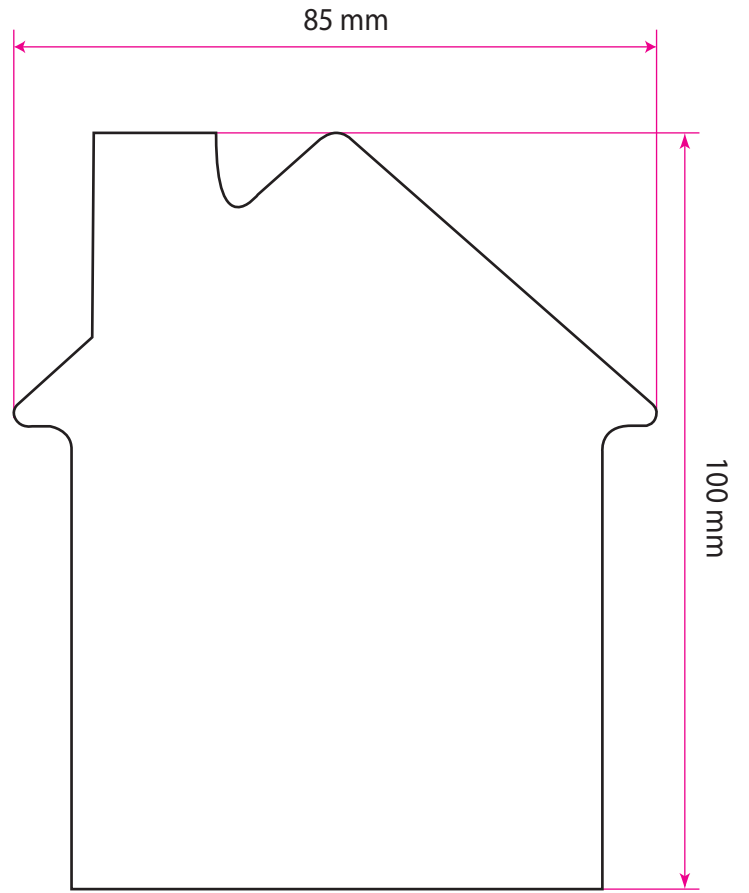
Model 003



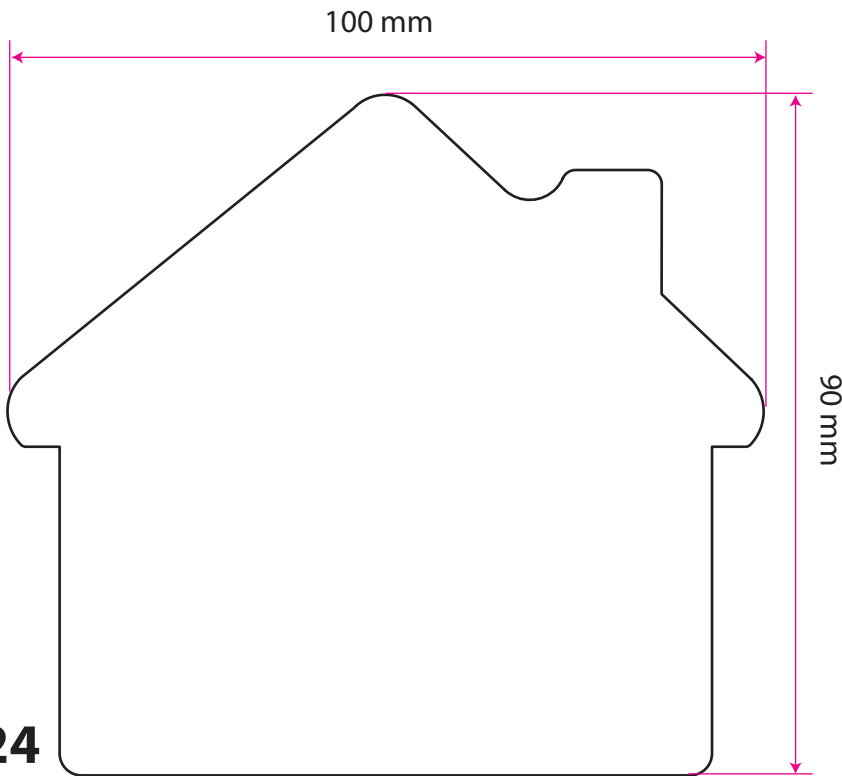
Model 102



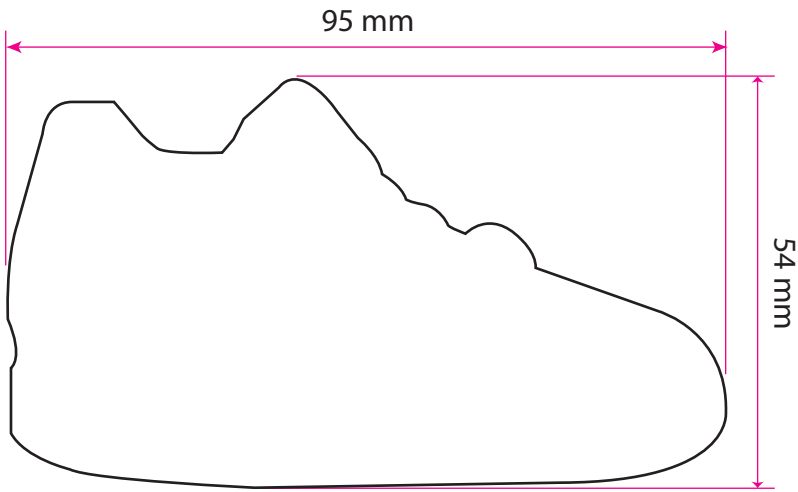
Model 169



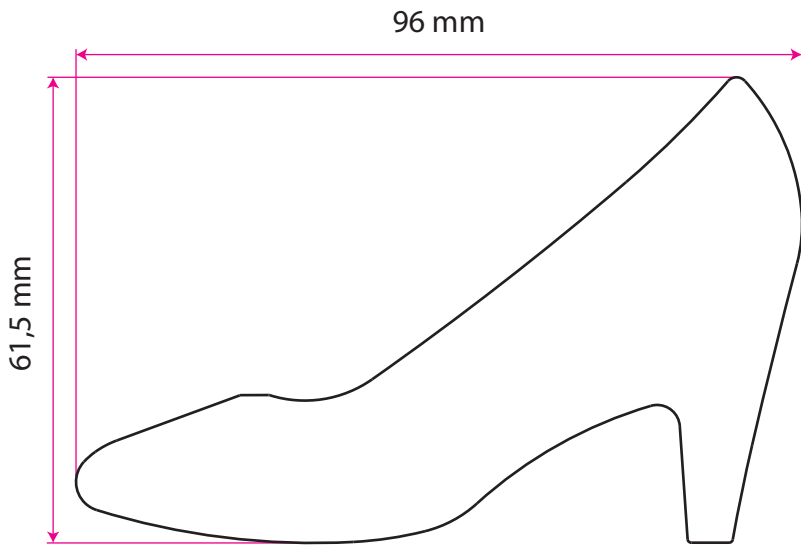
Model 277



Model 224

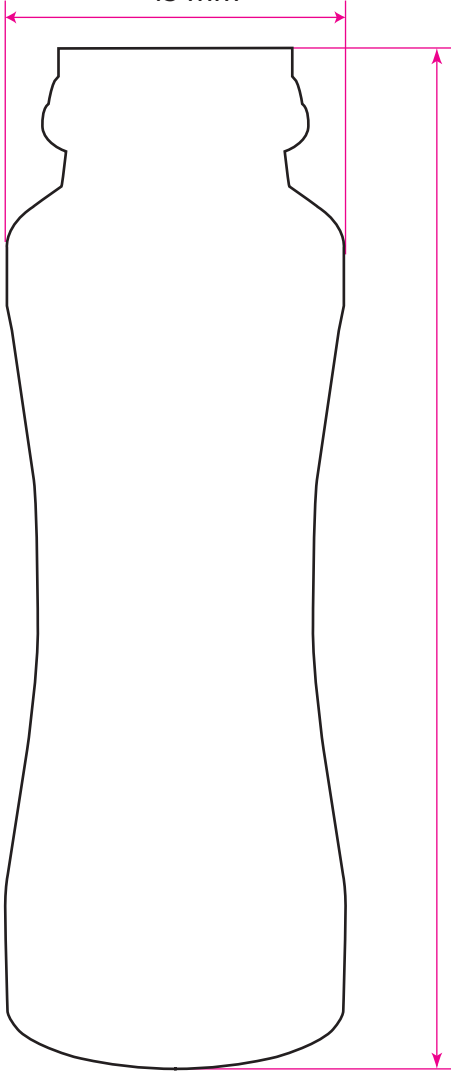


Model 254



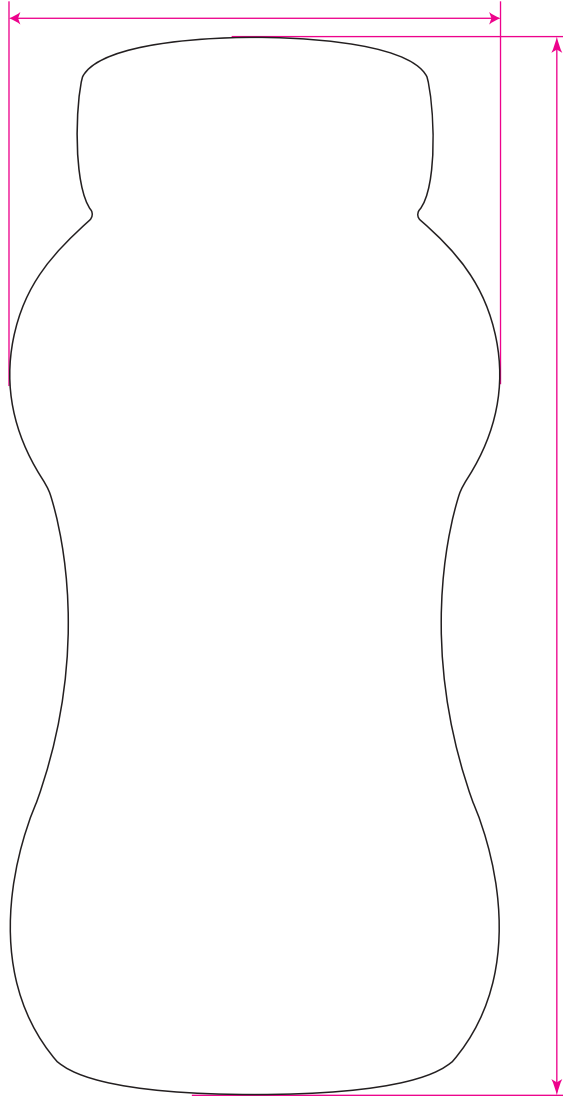
Model 097

45 mm



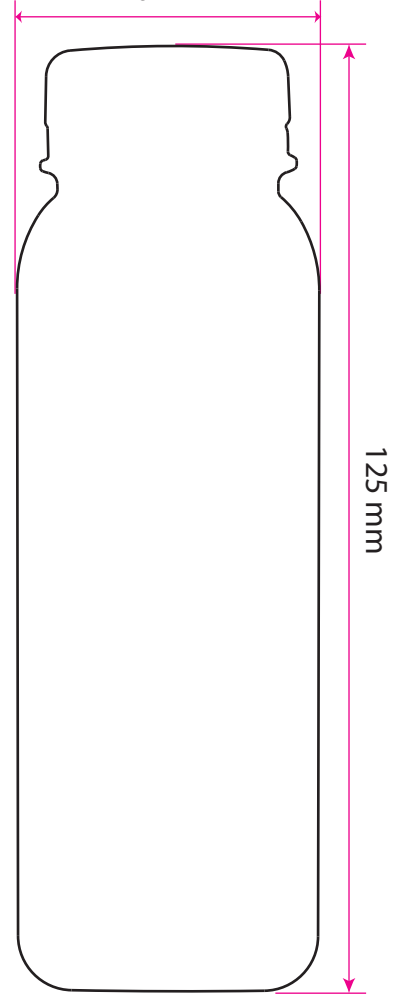
Model 275

65 mm



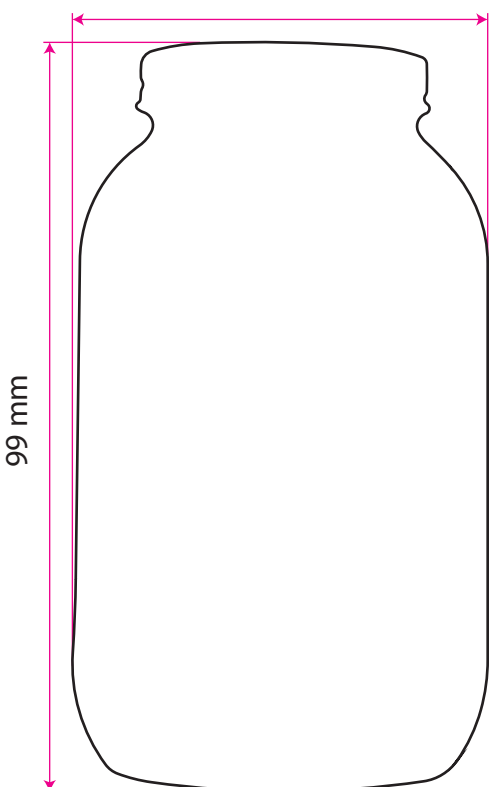
Model 292

40 mm



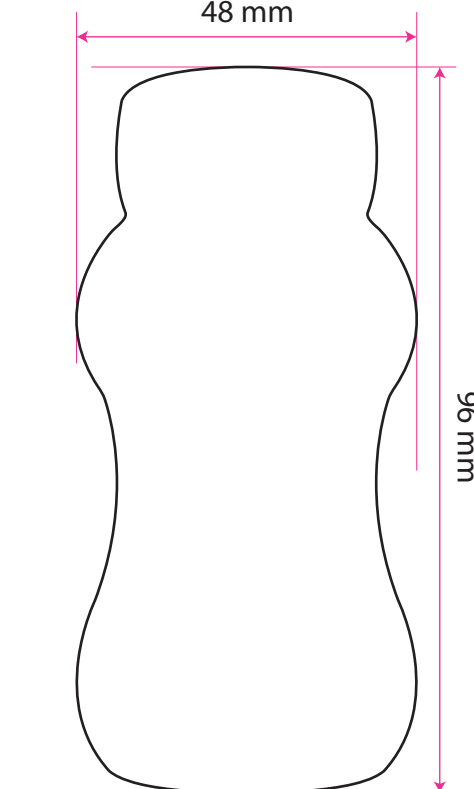
Model 260

55 mm

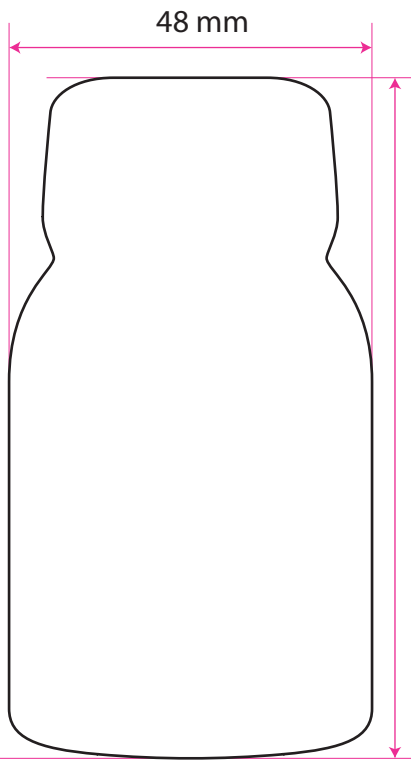


Model 059

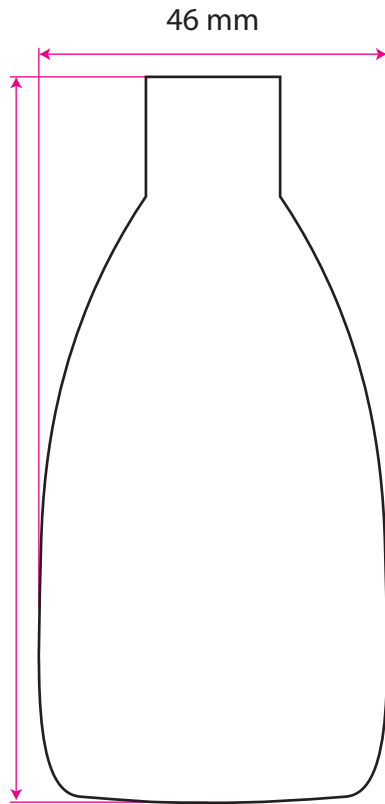
48 mm



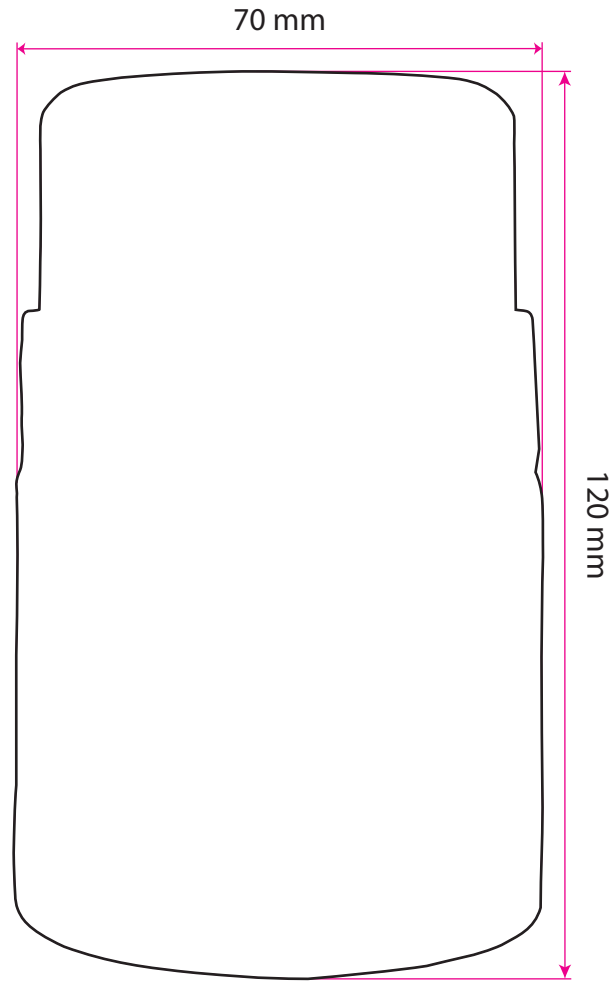
Model 167



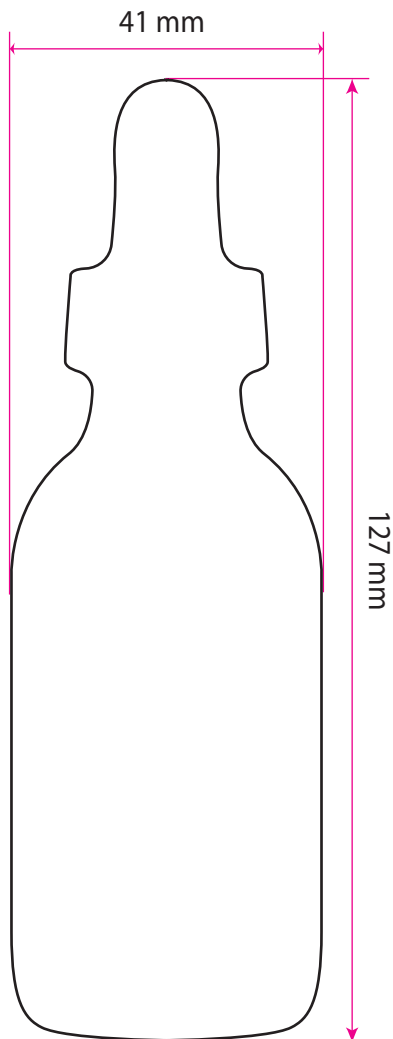
Model 164



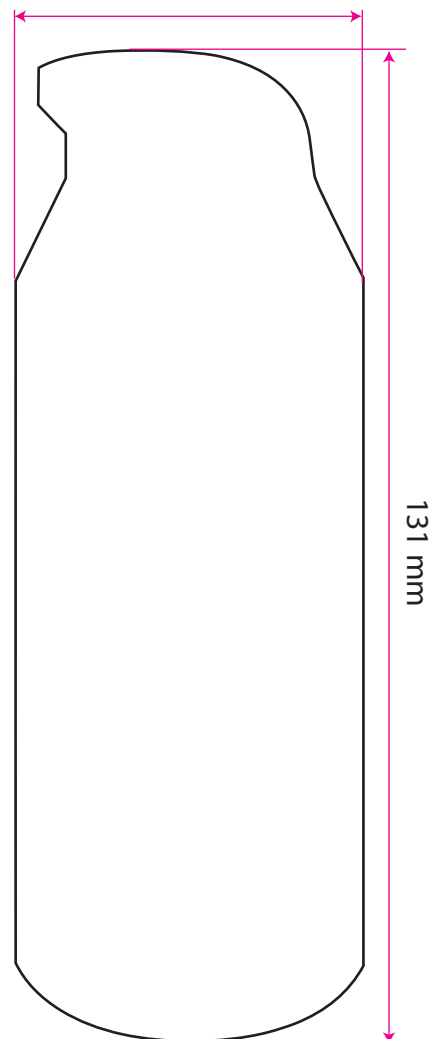
Model 125



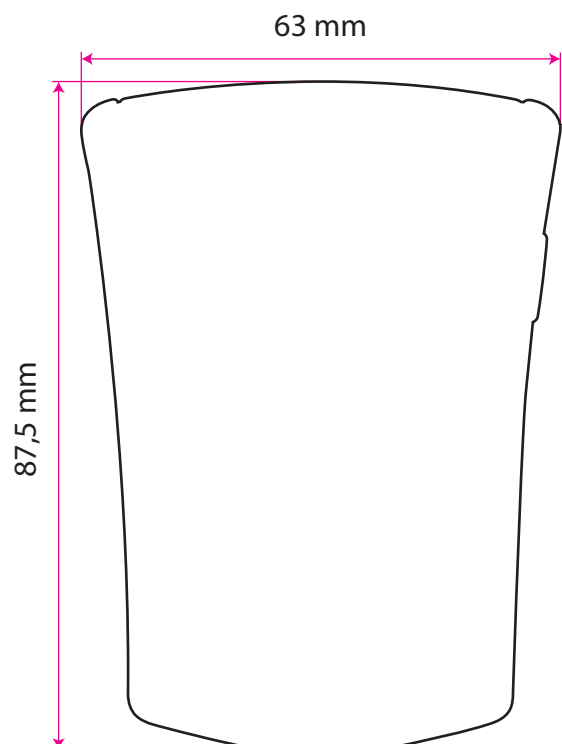
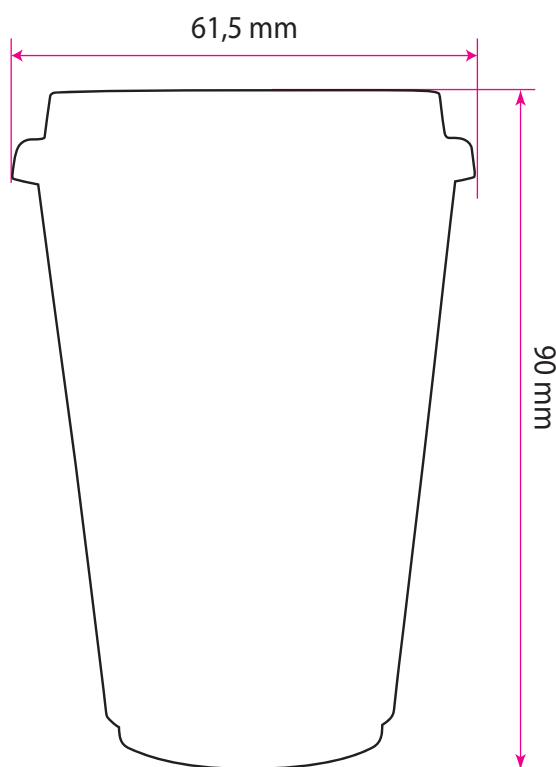
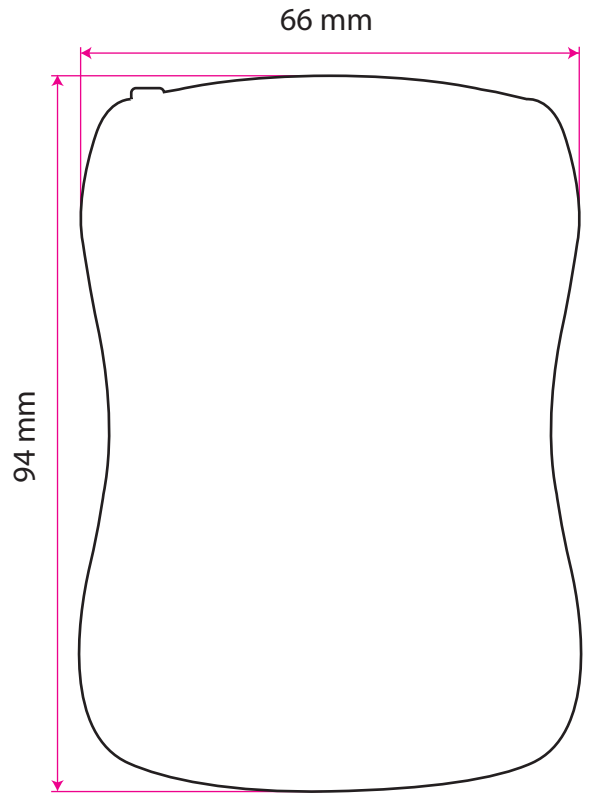
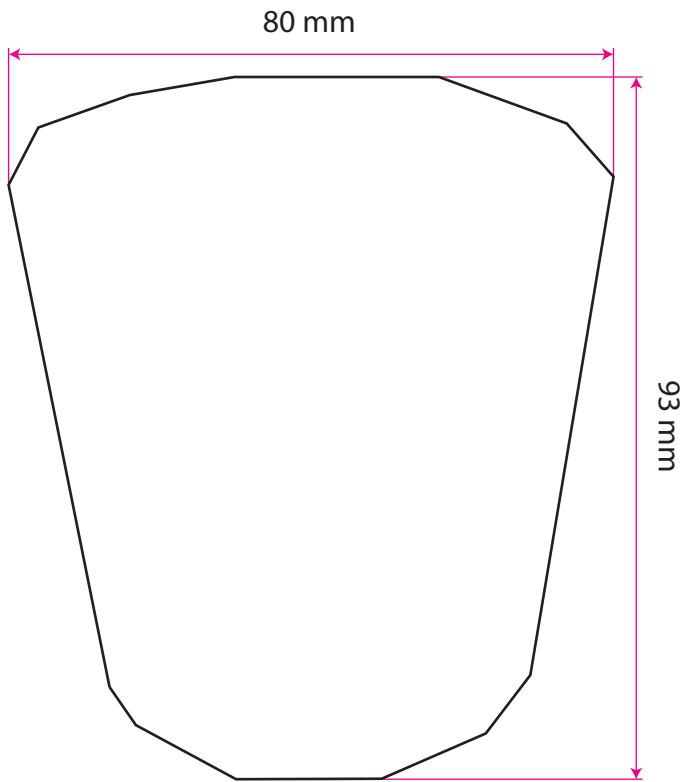
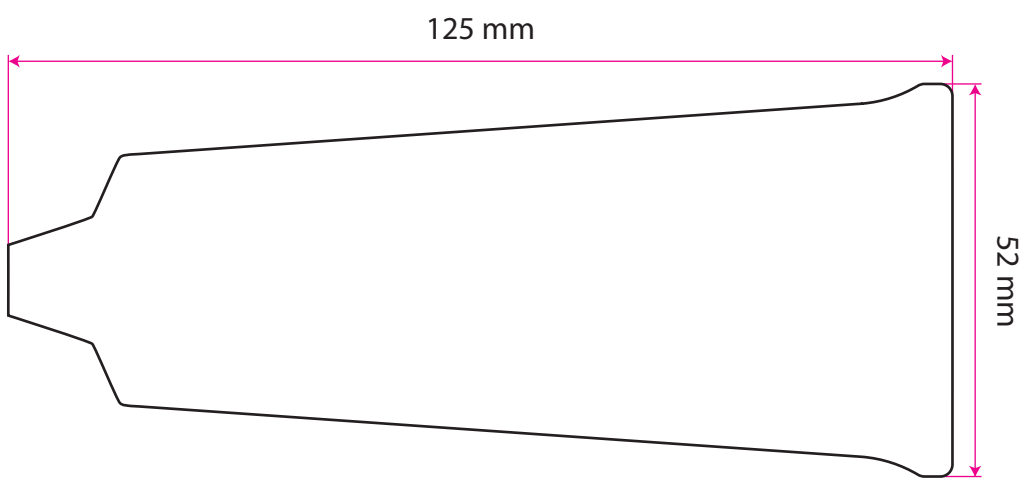
Model 028

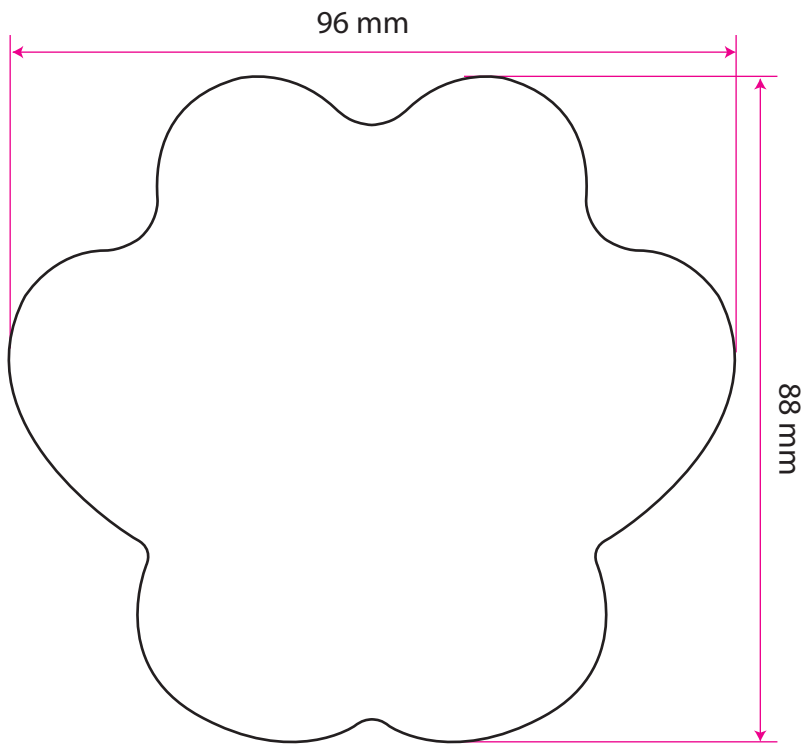


Model 270

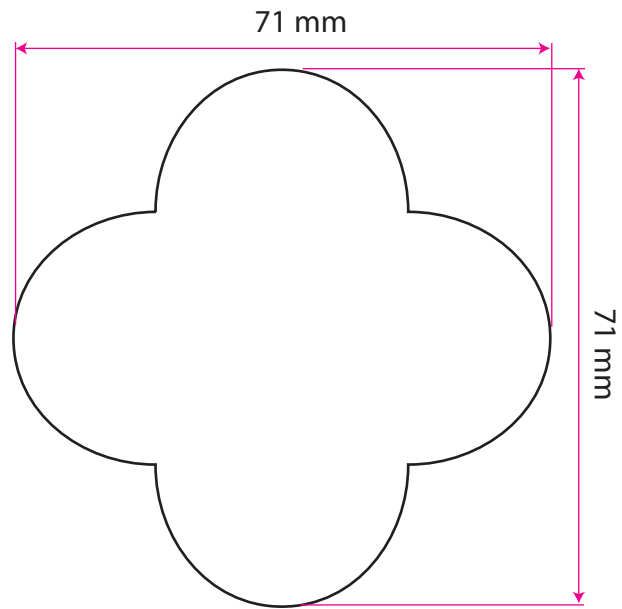


Model 221

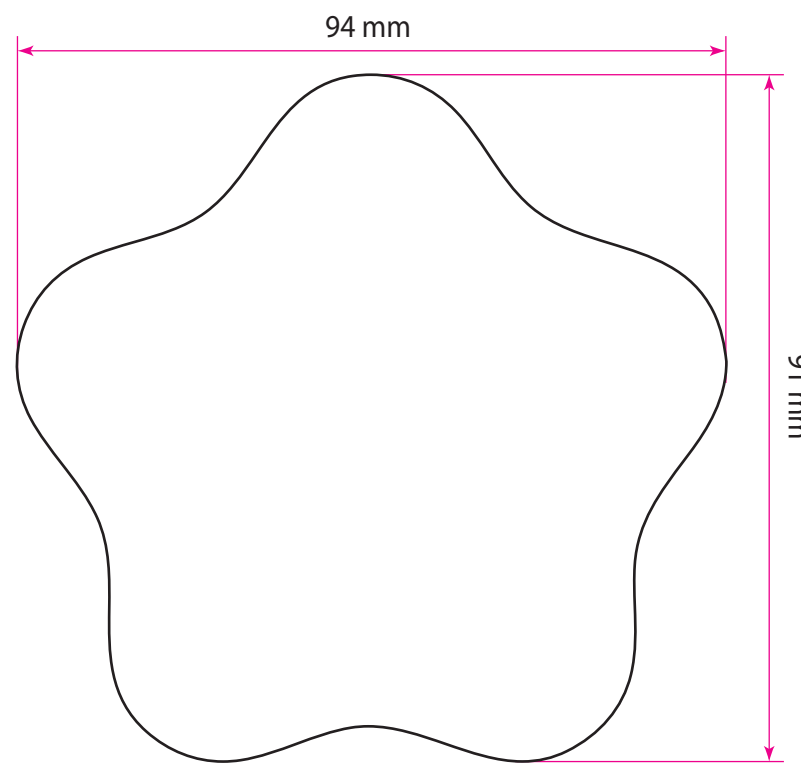




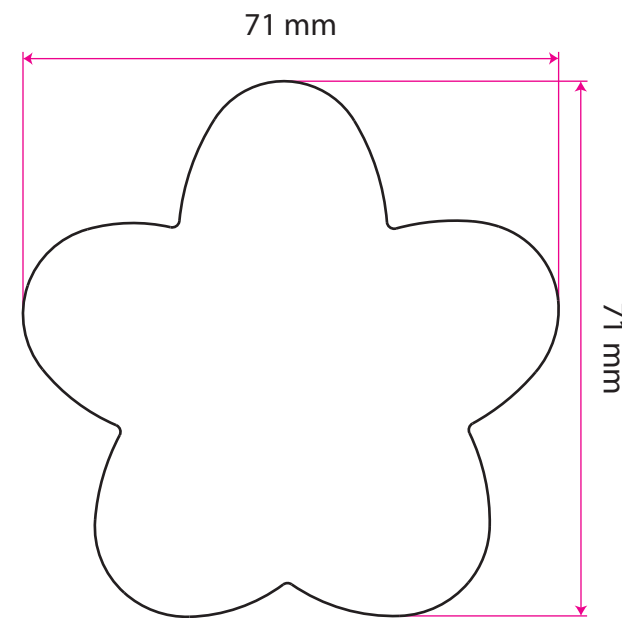
Model 207



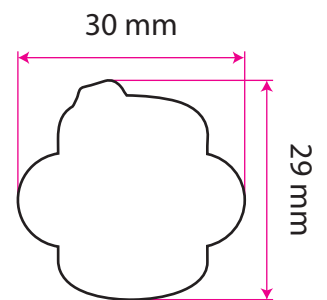
Model 213



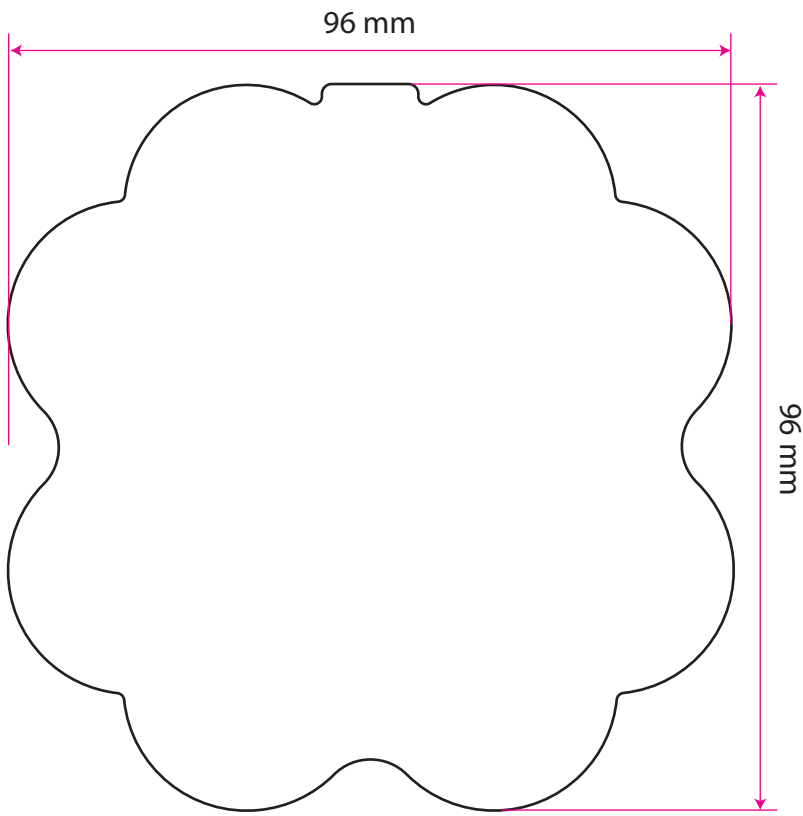
Model 291



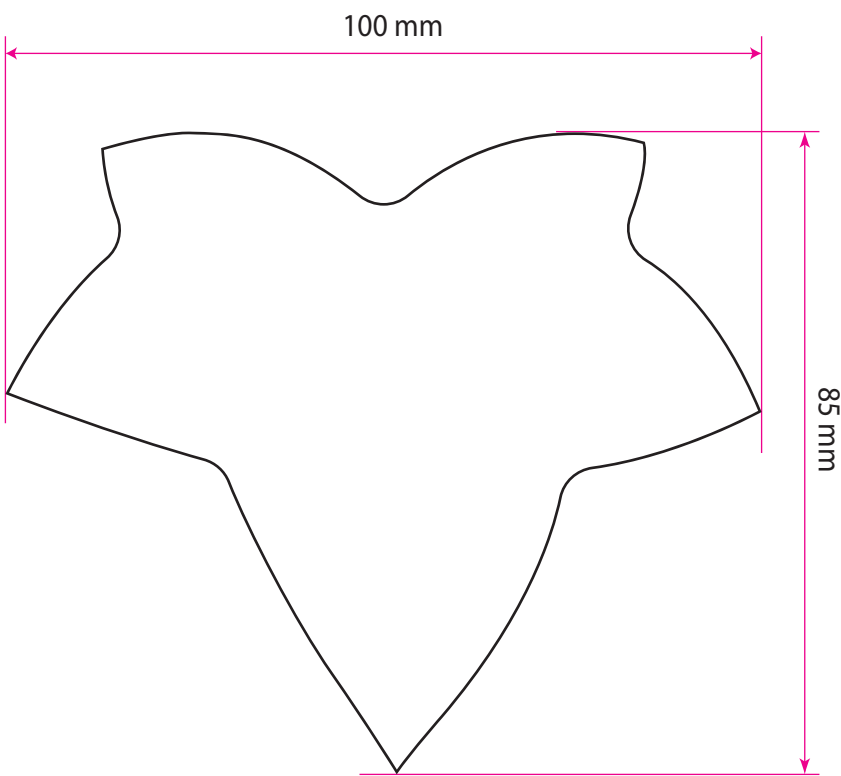
Model 042



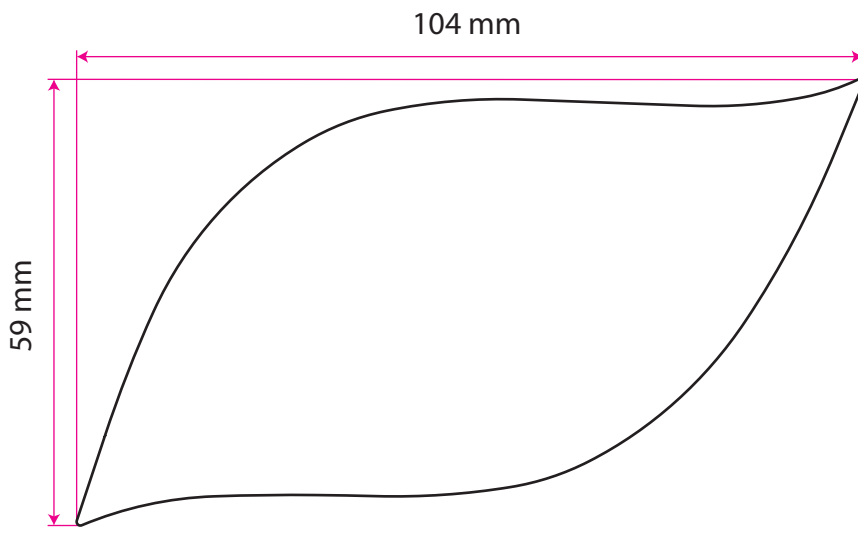
Model 136



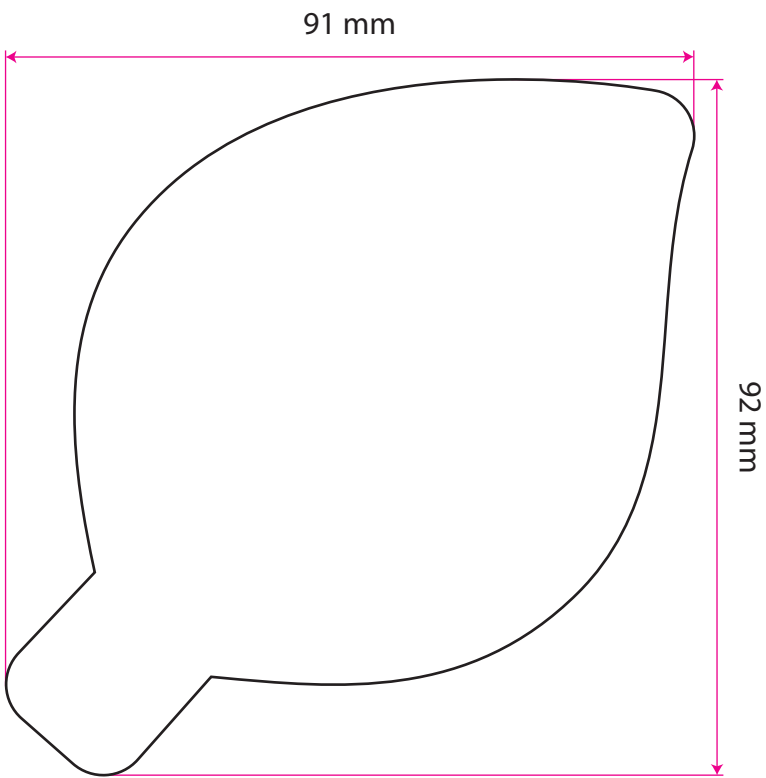
Model 211



Model 287

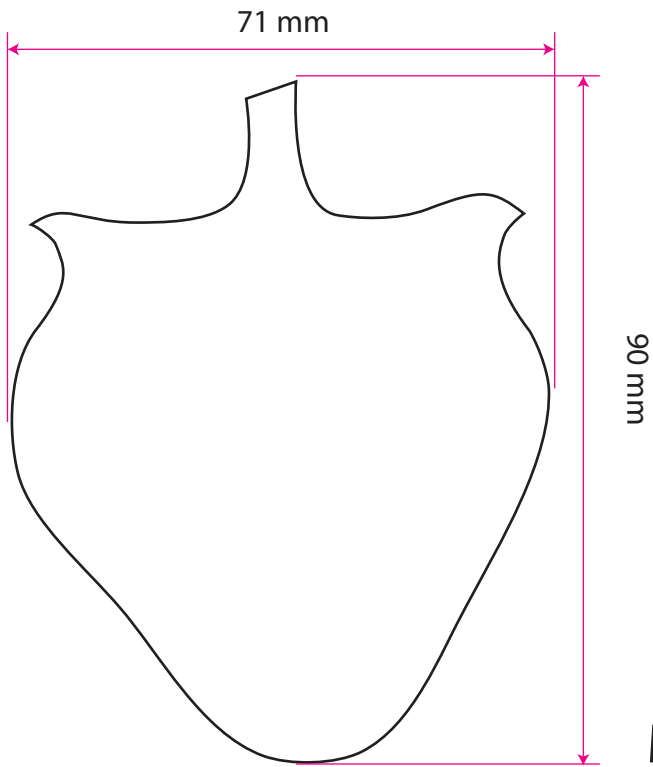
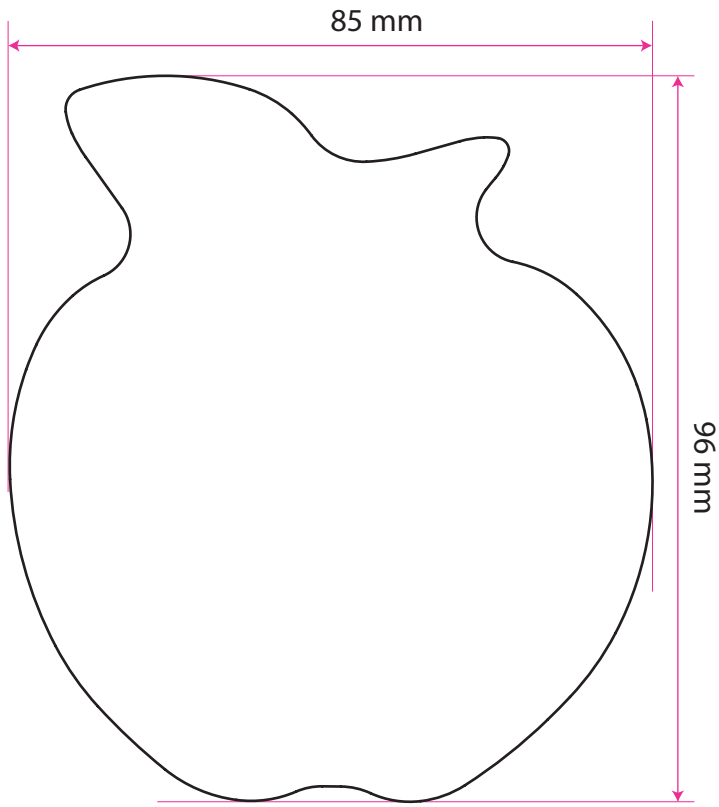


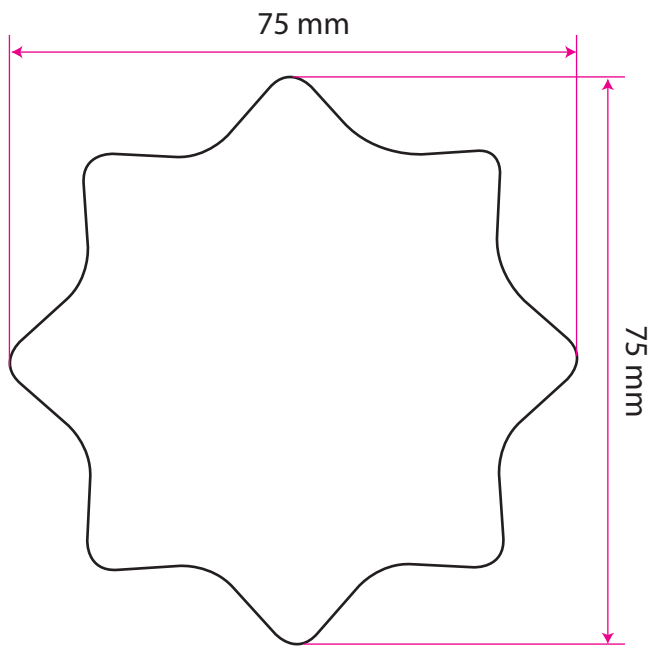
Model 063



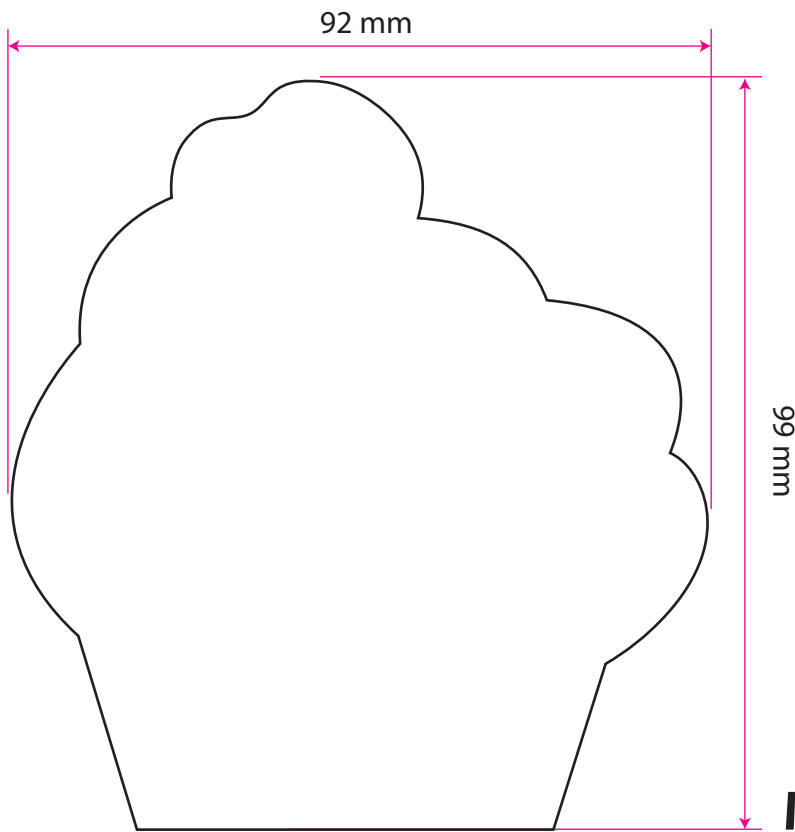
Model 023

Model 168

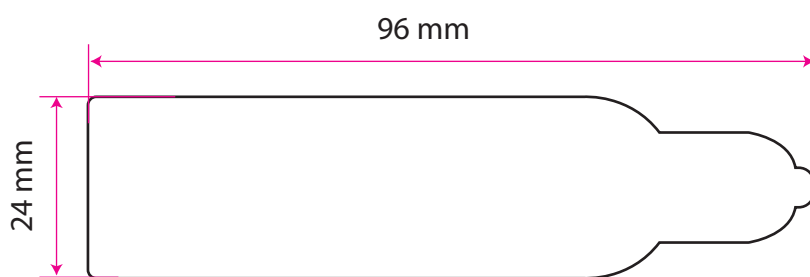




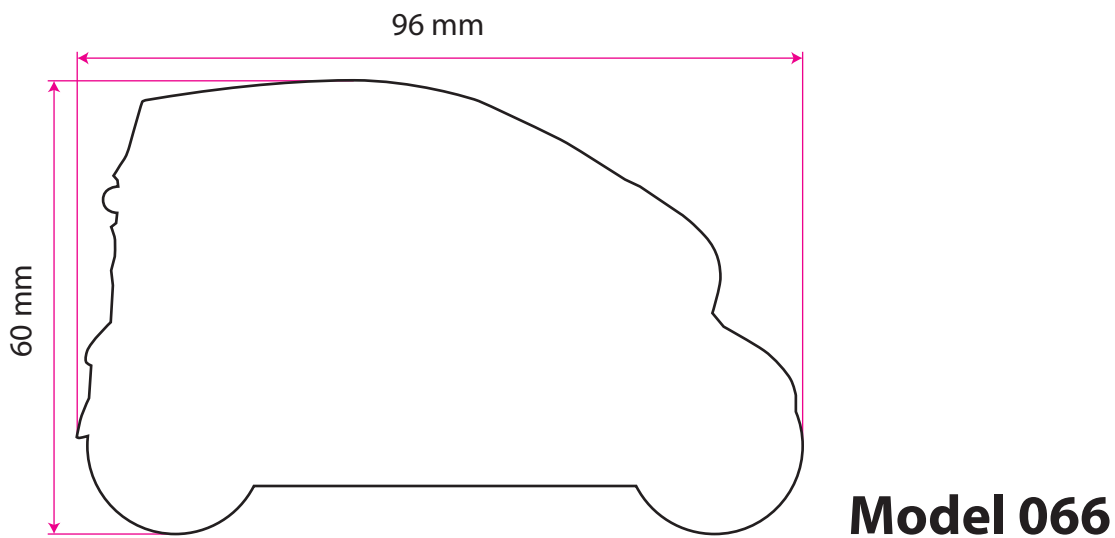
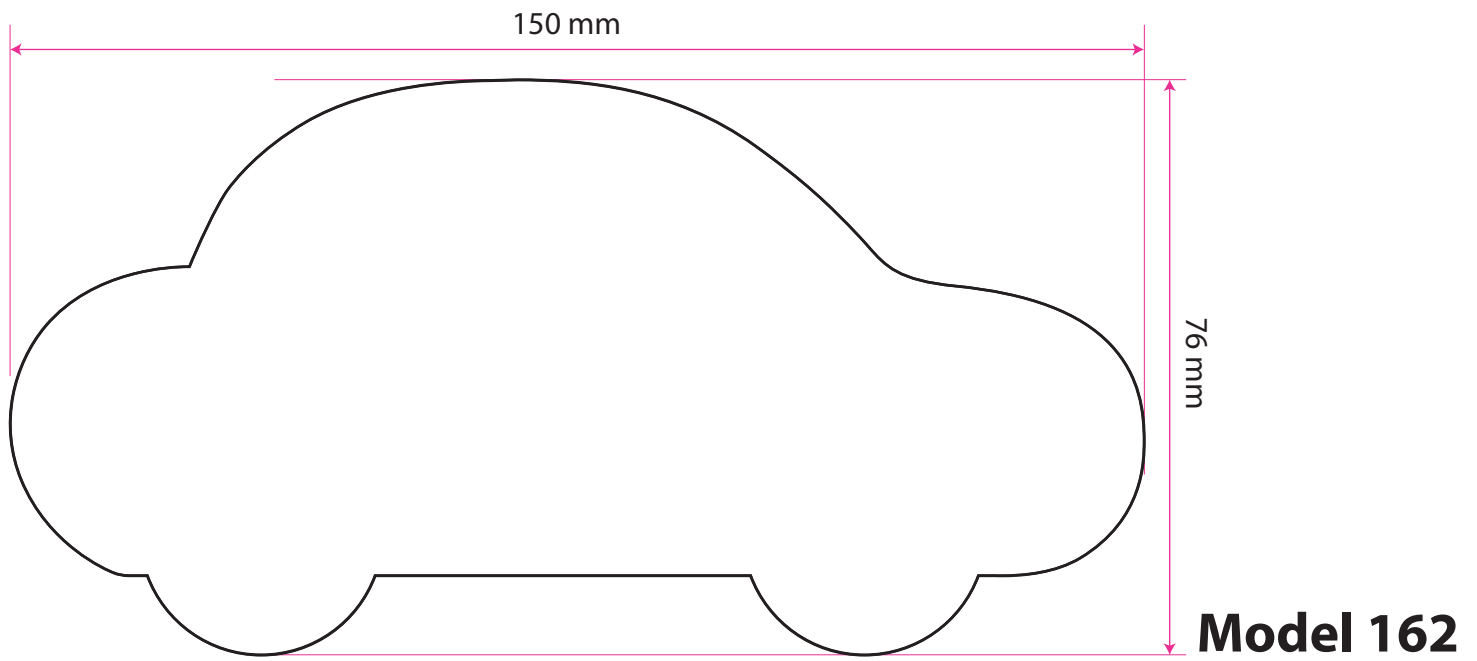
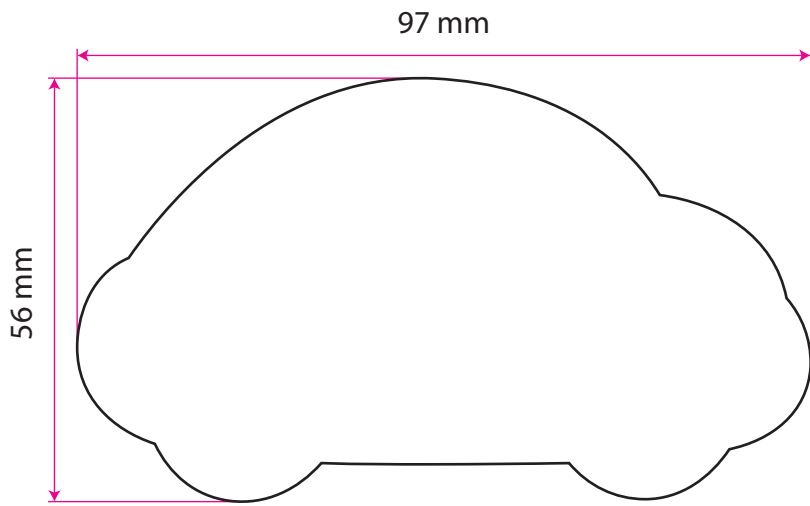
Model 223

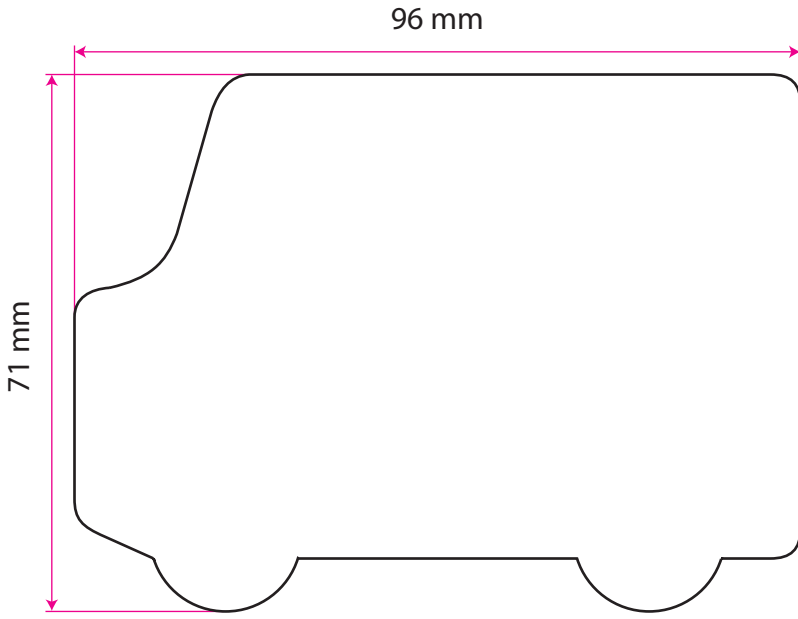


Model 233

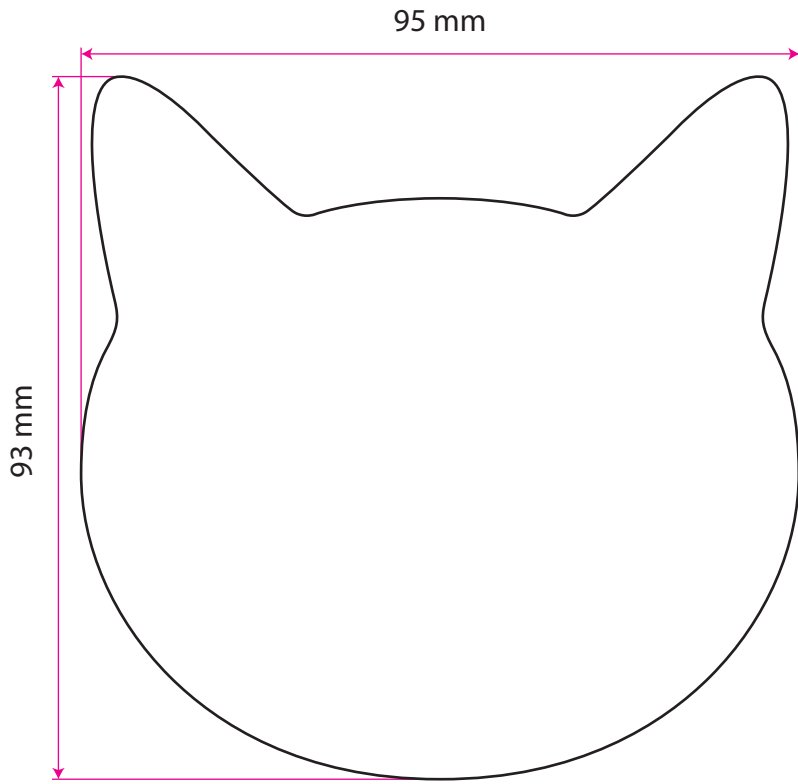


Model 225

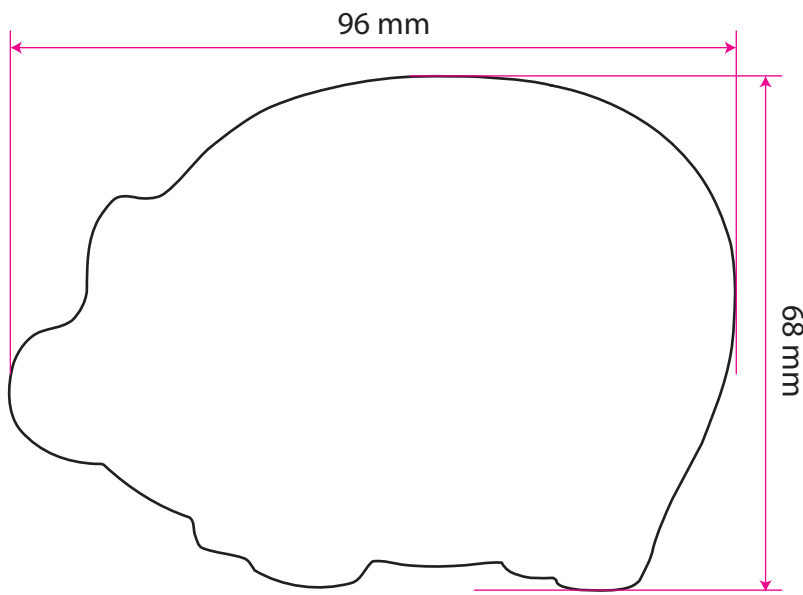




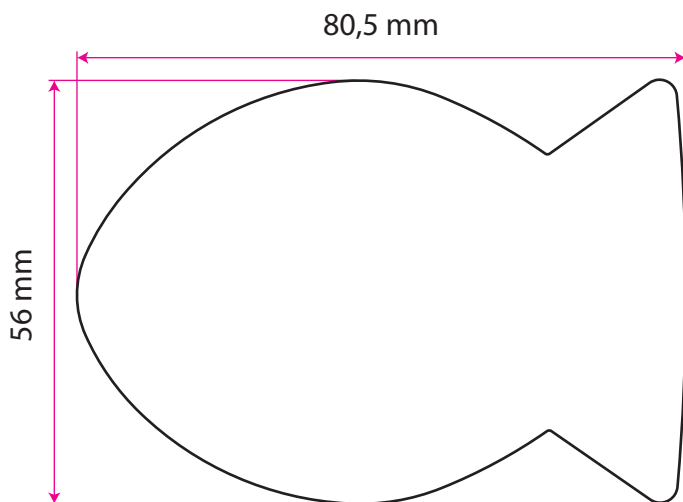
Model 117



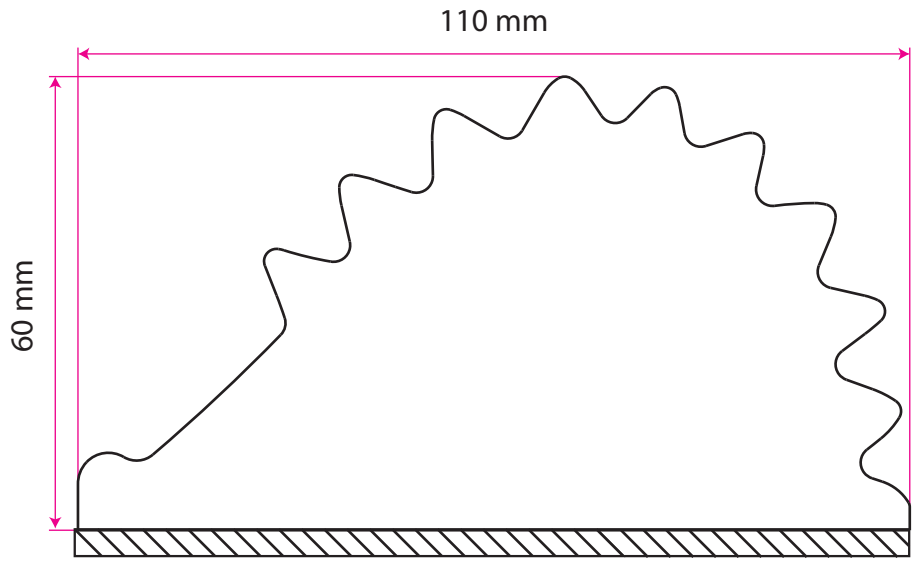
Model 119

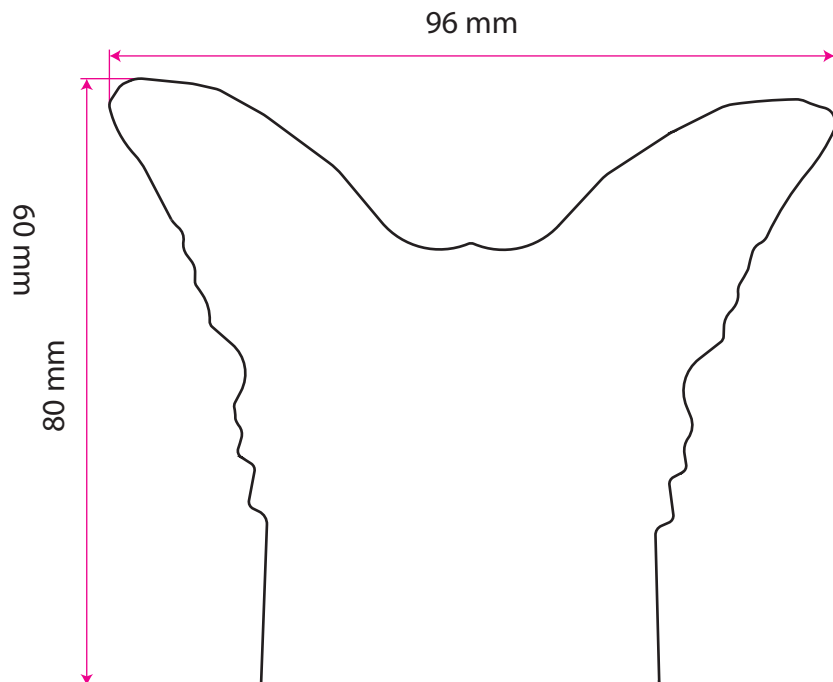
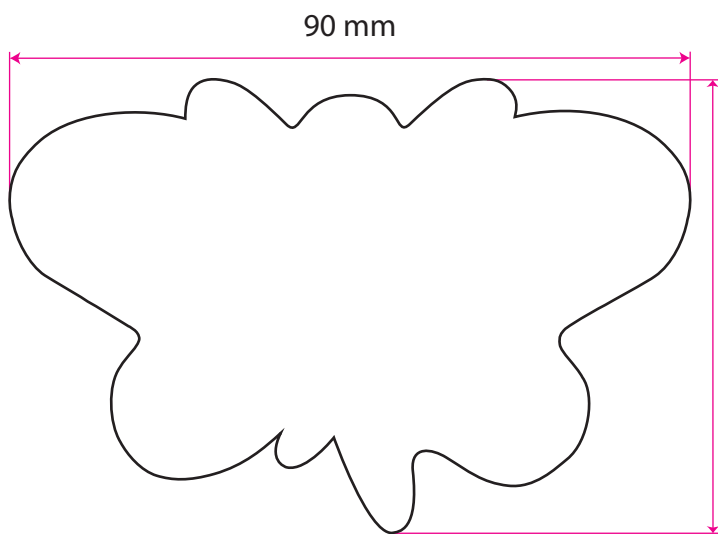
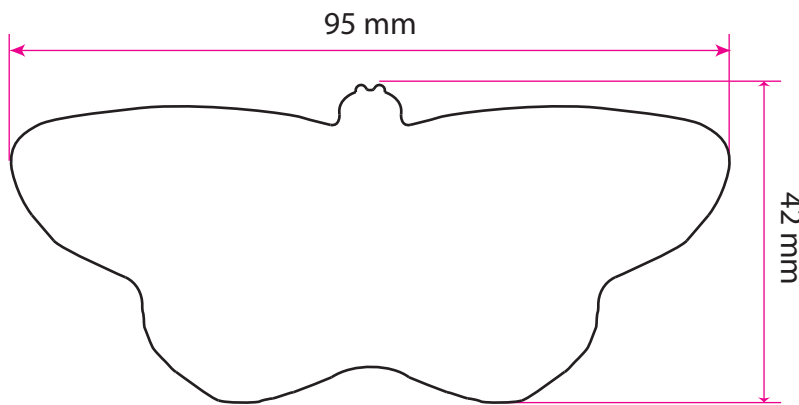
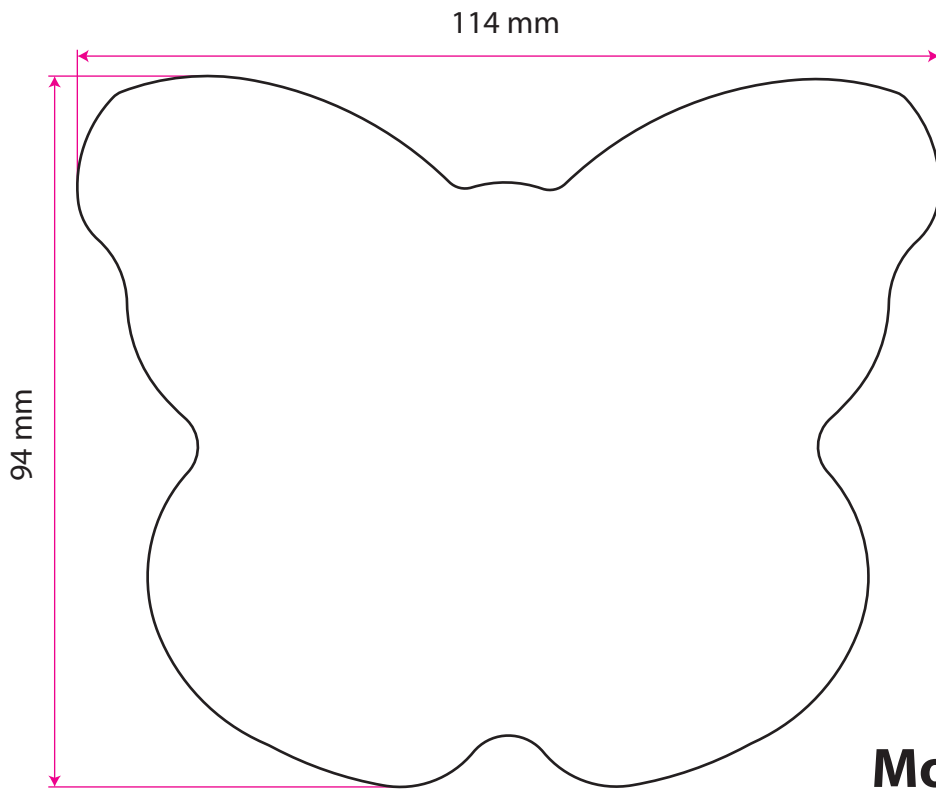


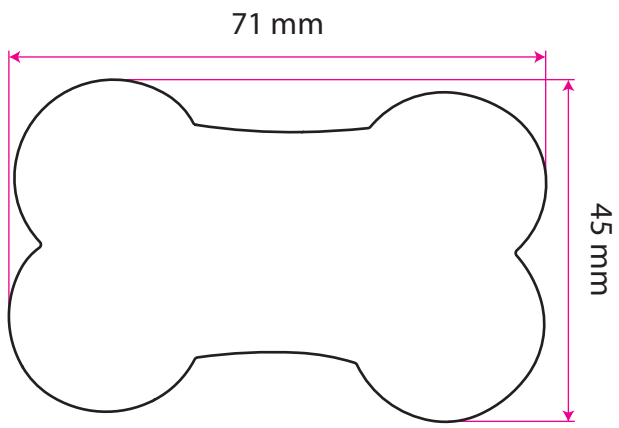
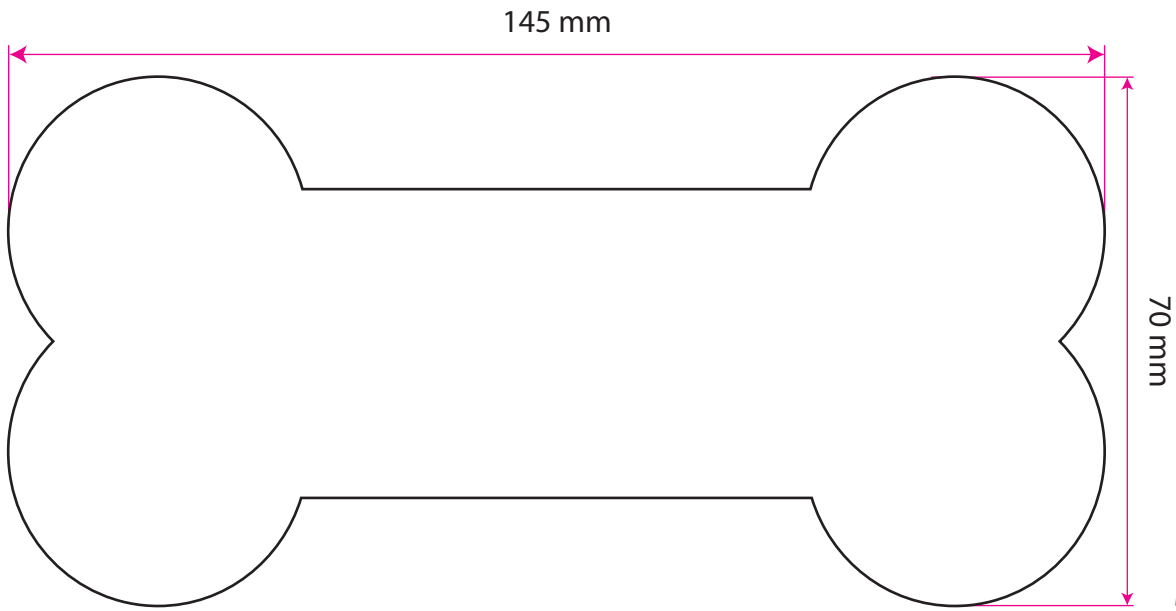
Model 242

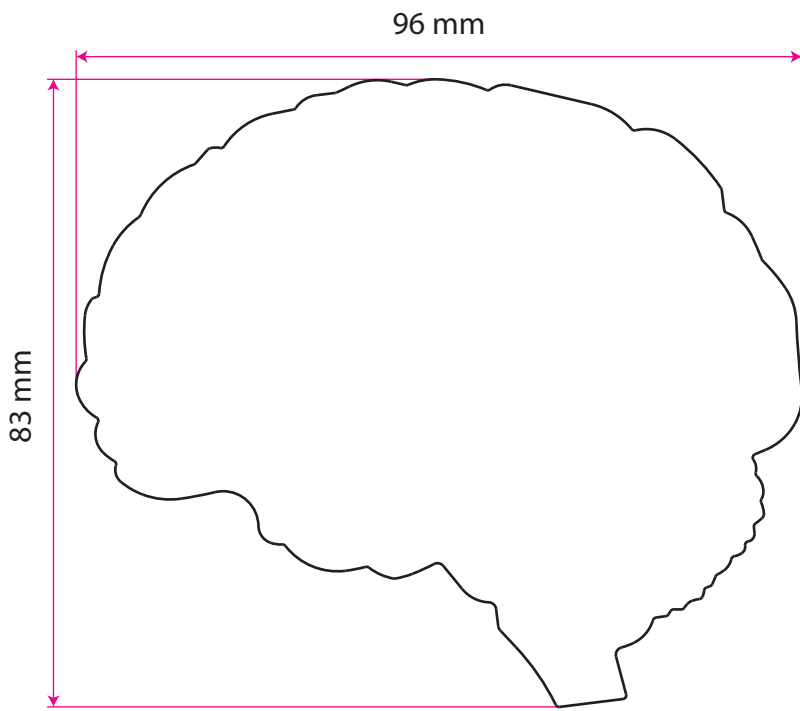


Model 074

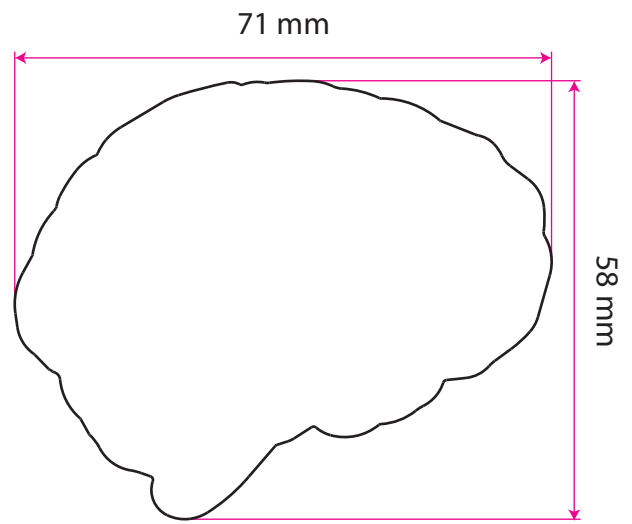




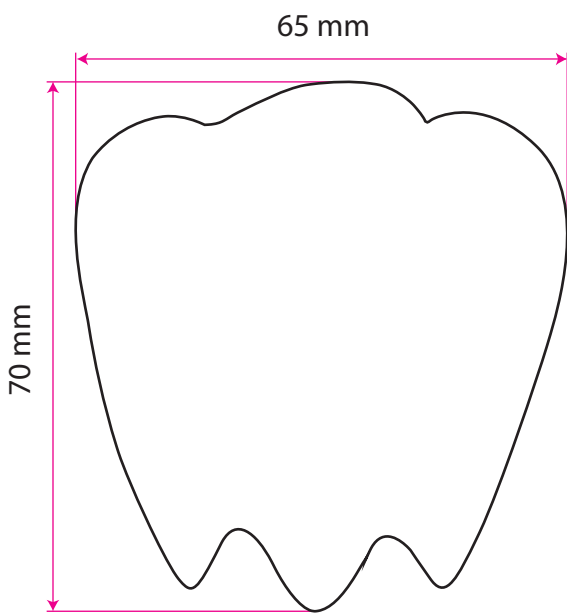




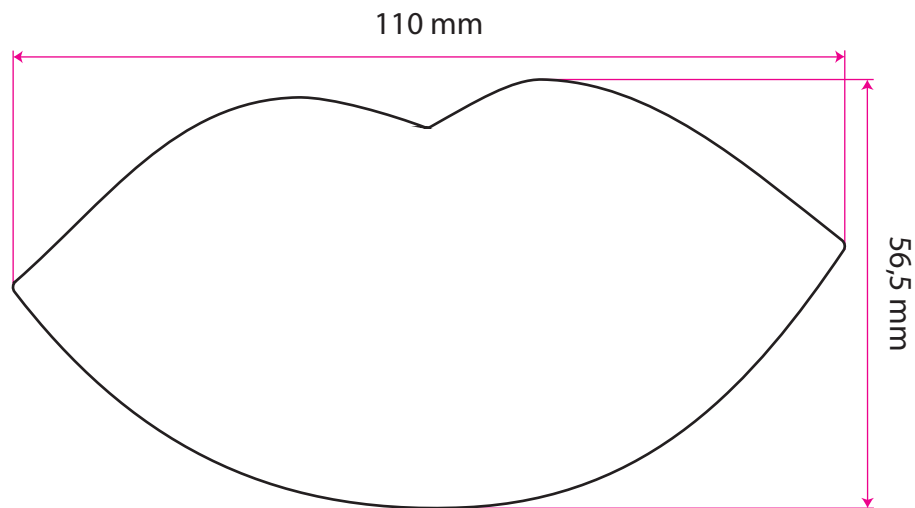
Model 088



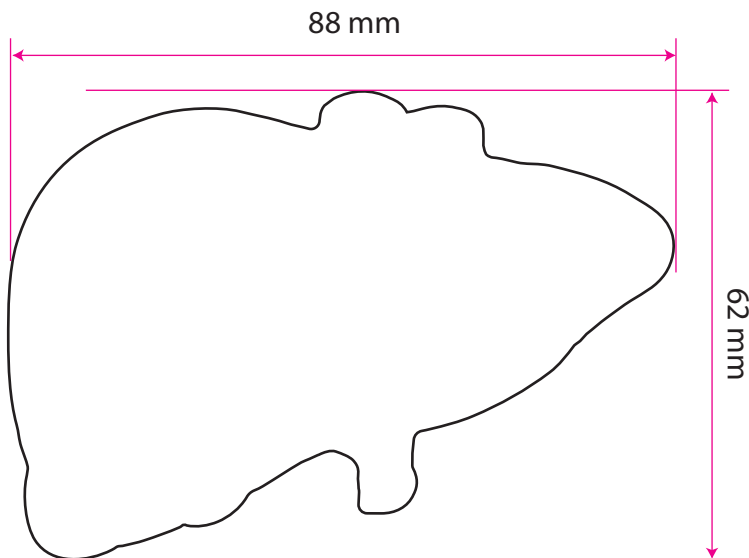
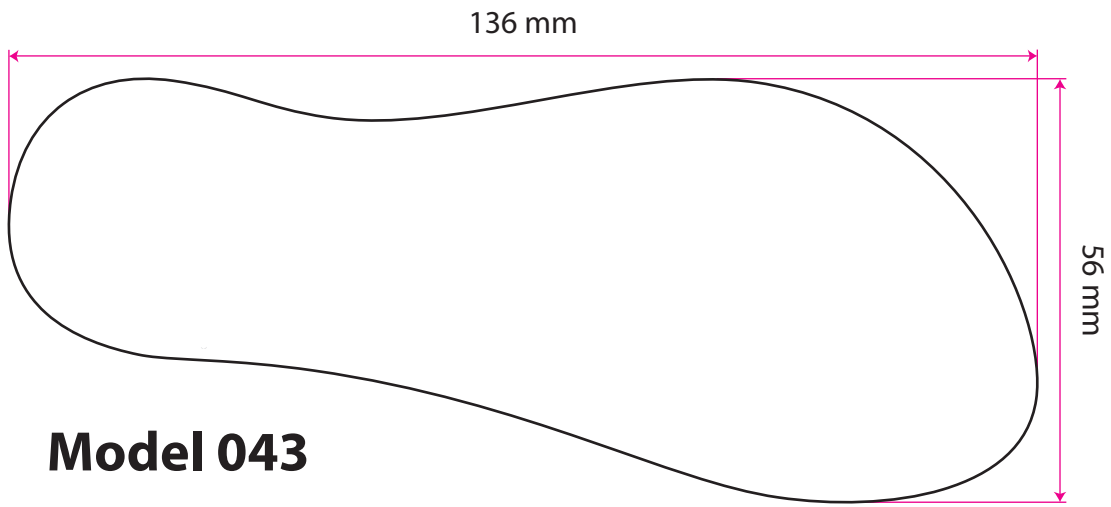
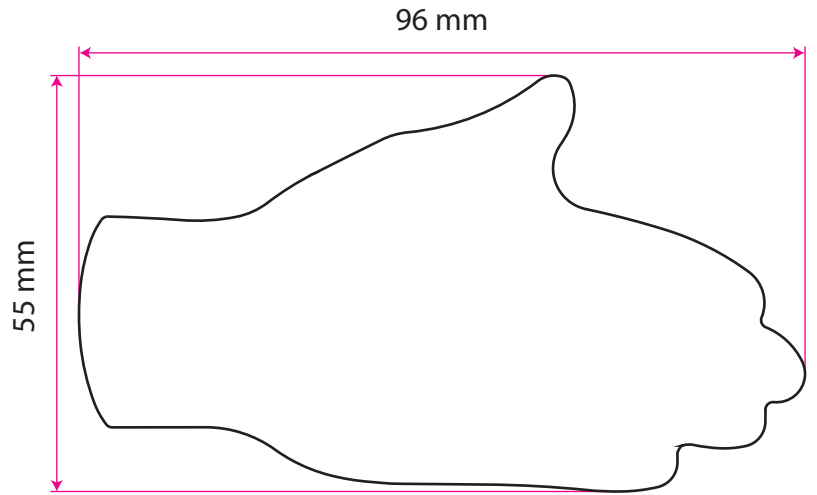
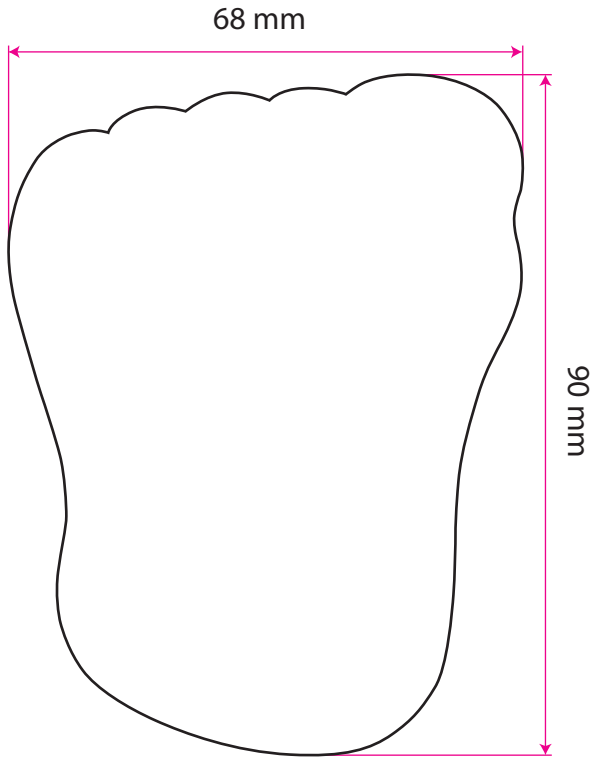
Model 179

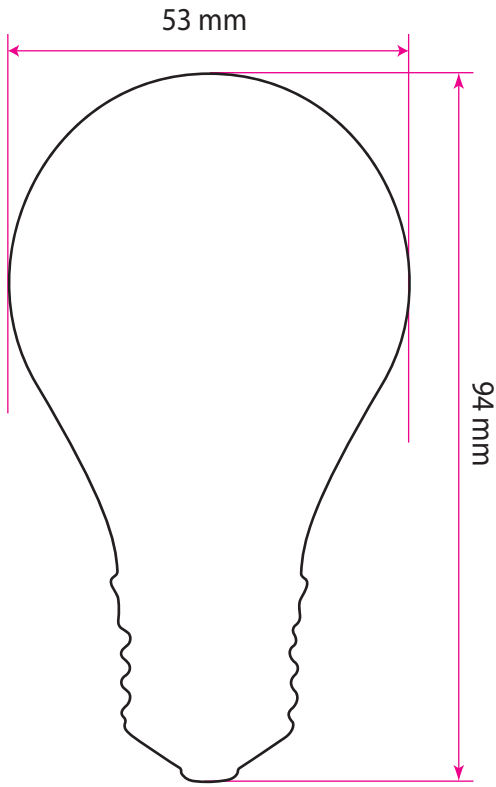


Model 093

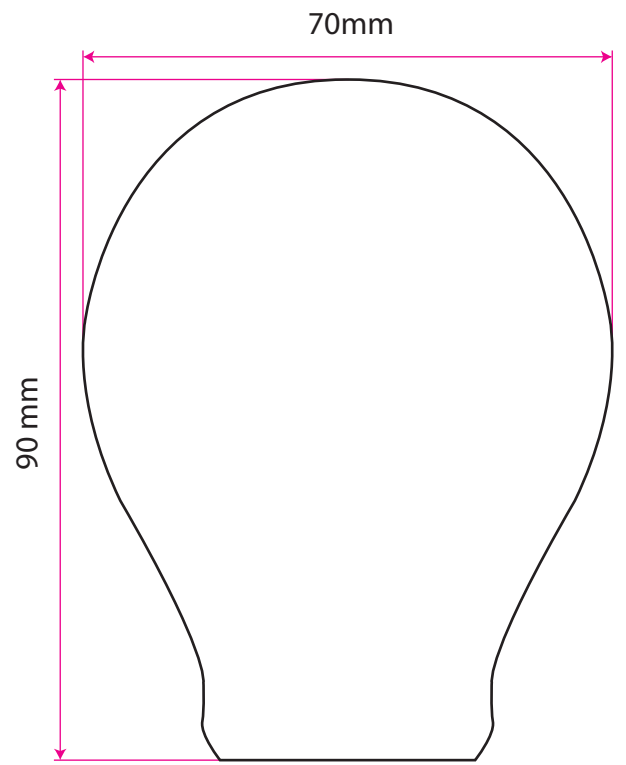


Model 041

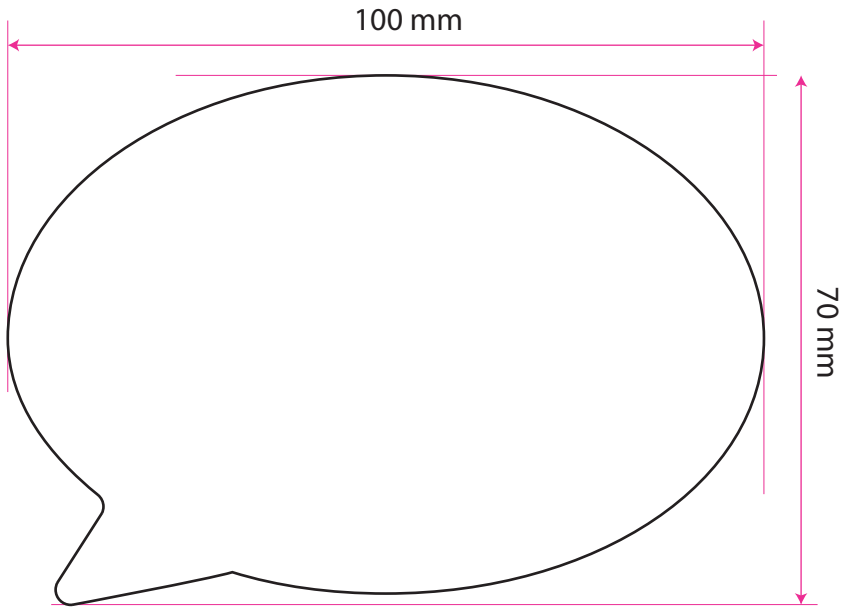




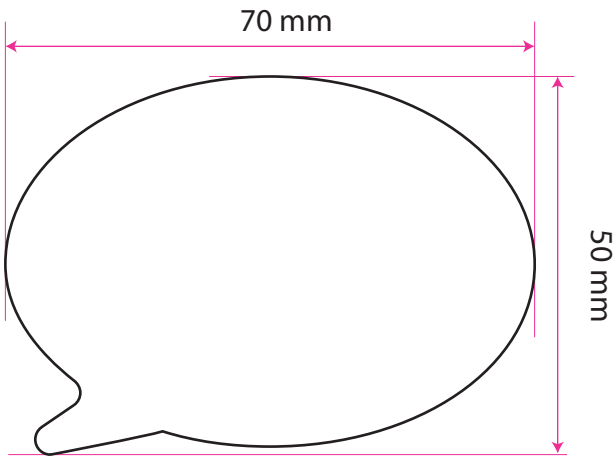
Model 288



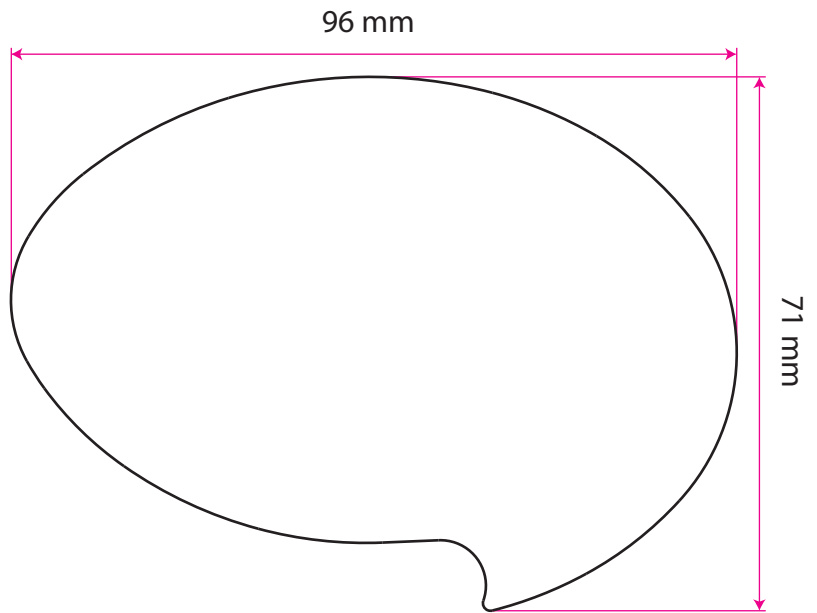
Model 075



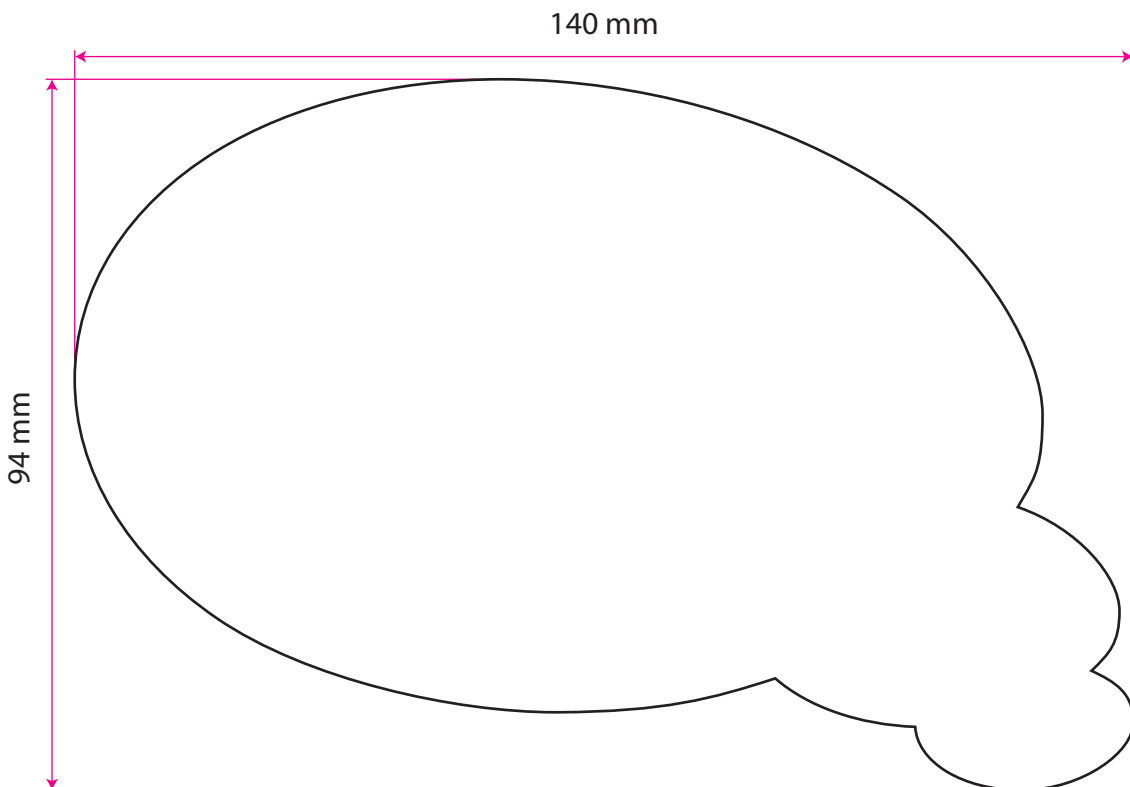
Model 176



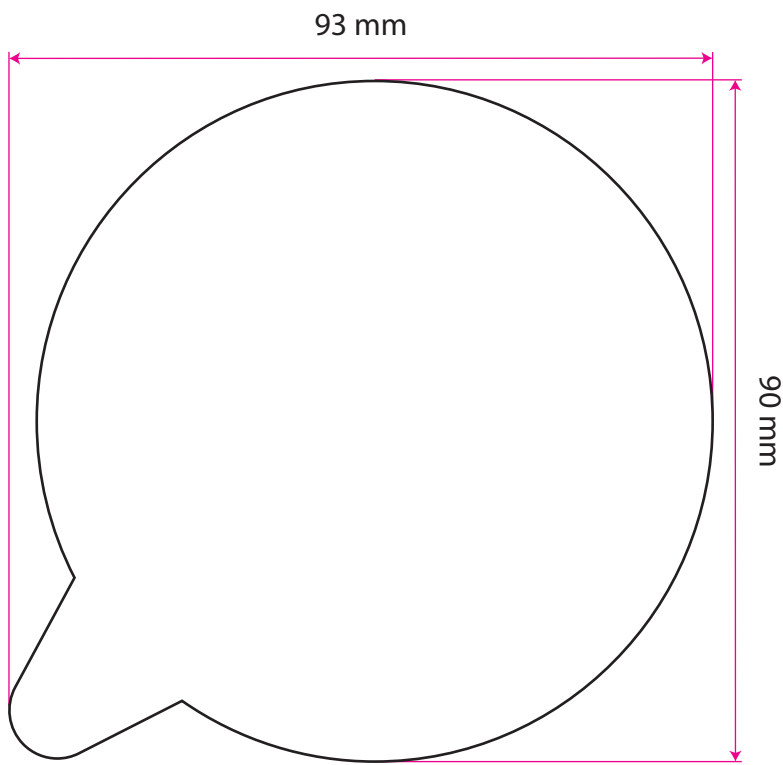
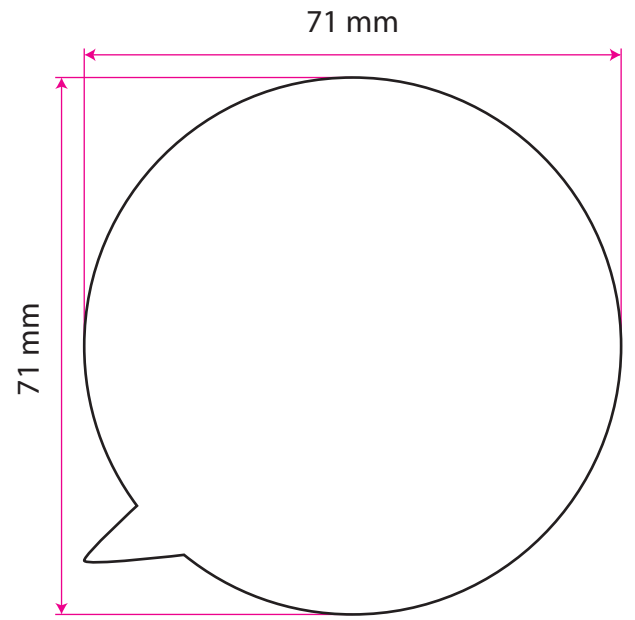
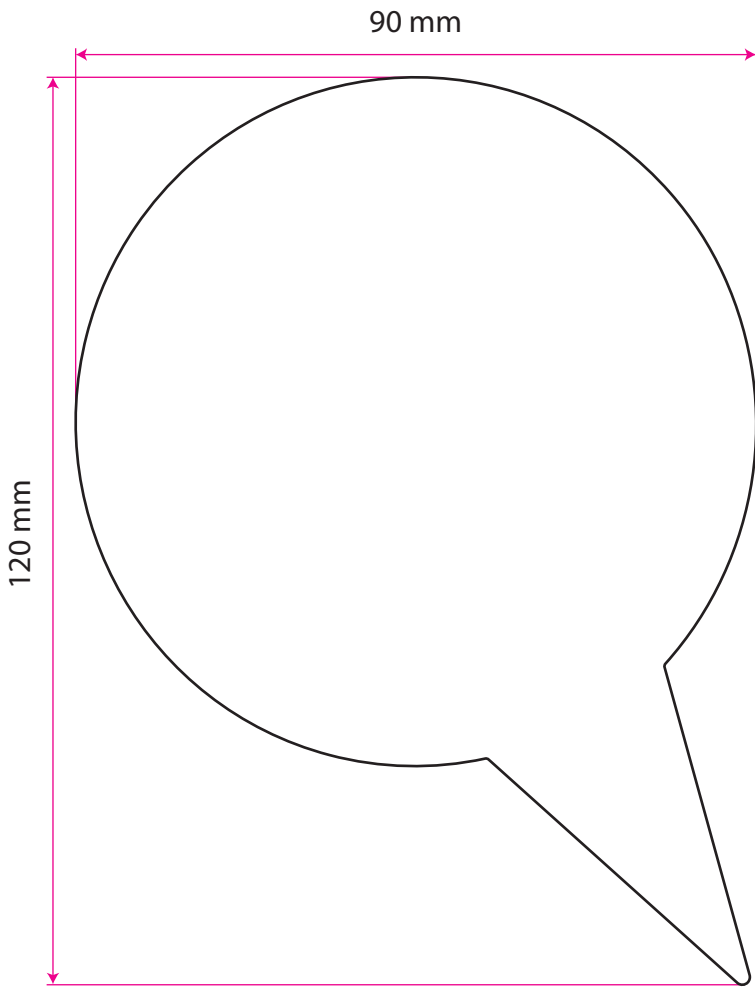
Model 177

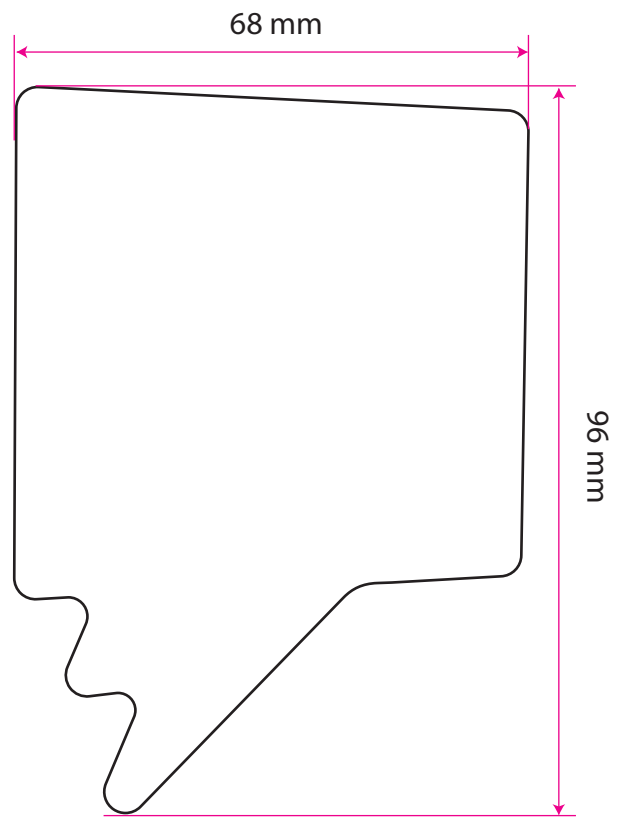
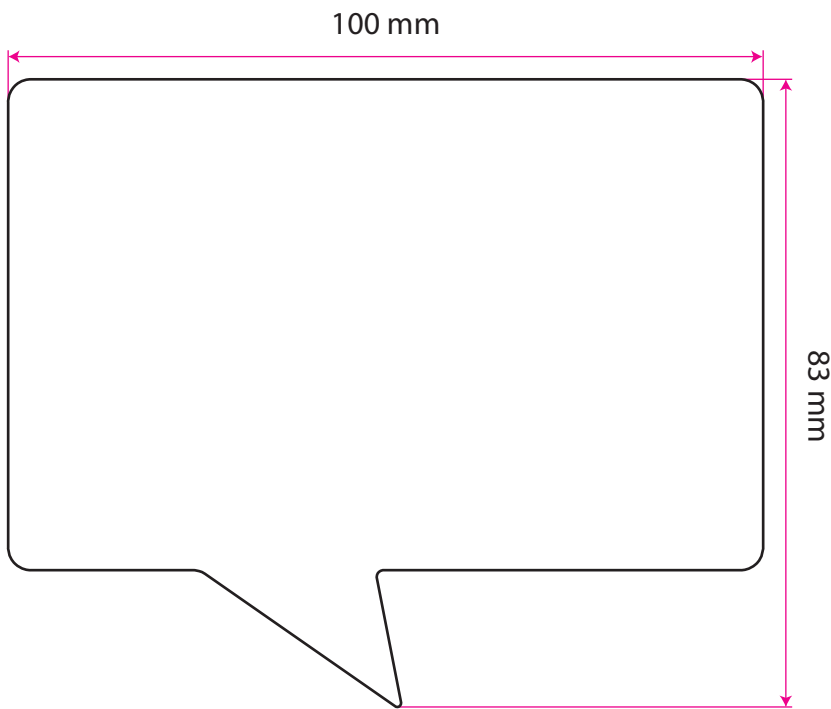
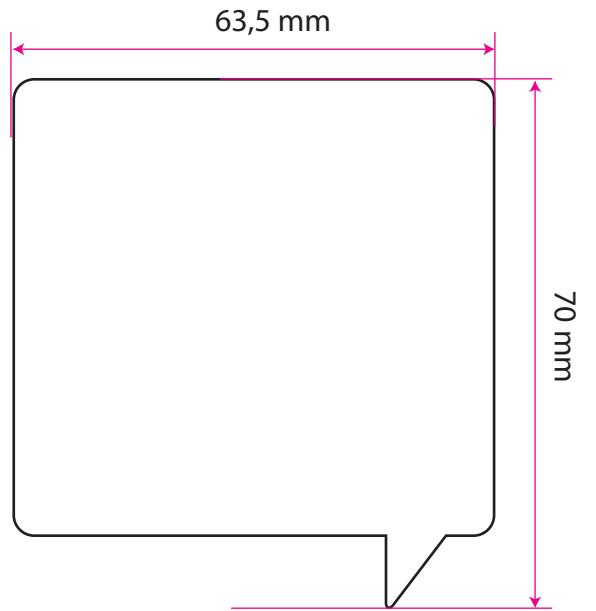
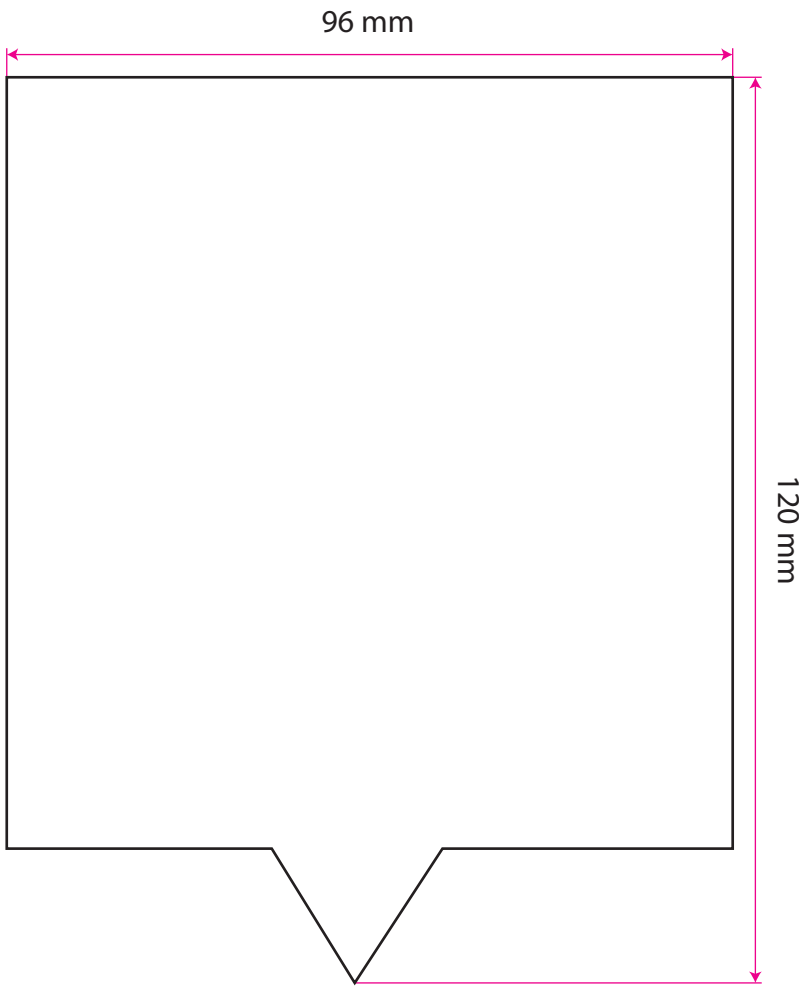


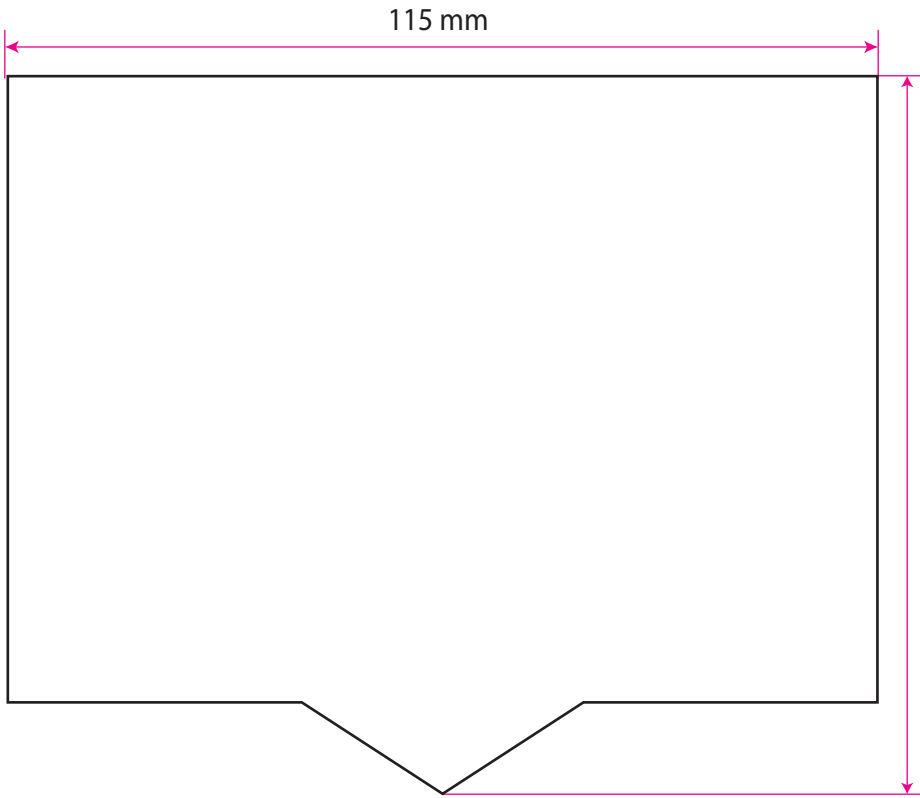
Model 051



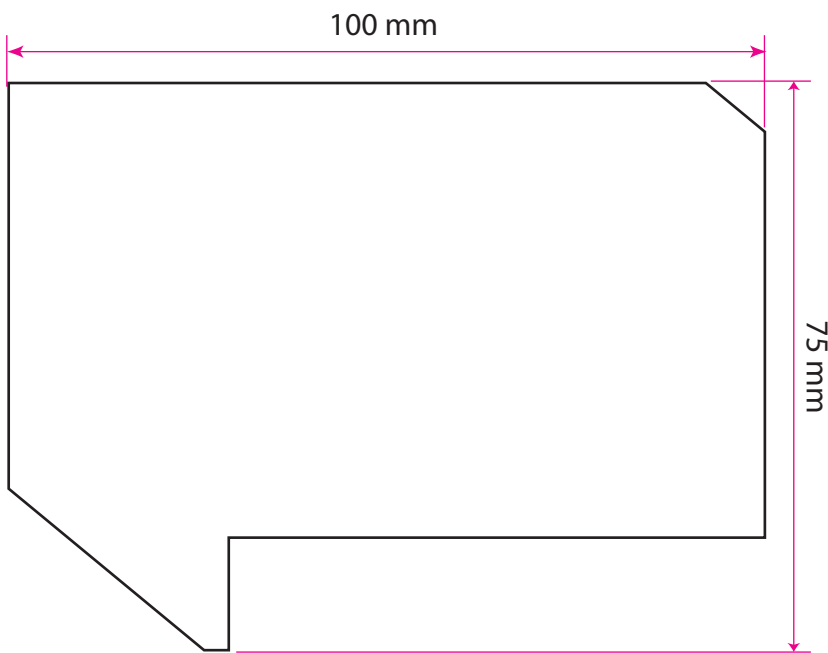
Model 082



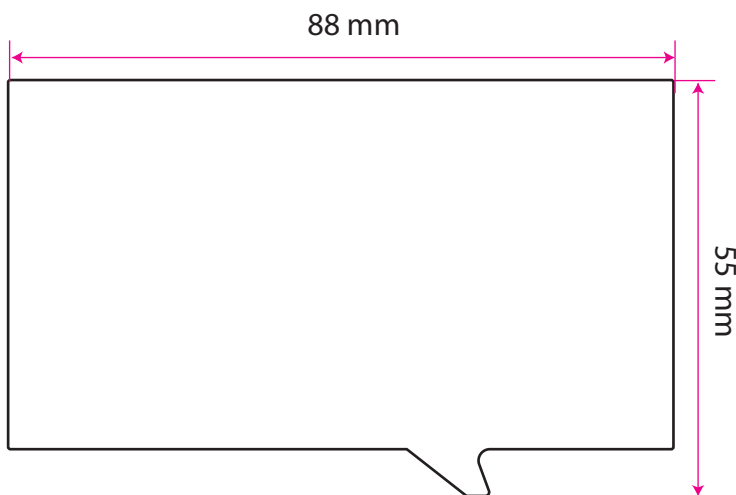




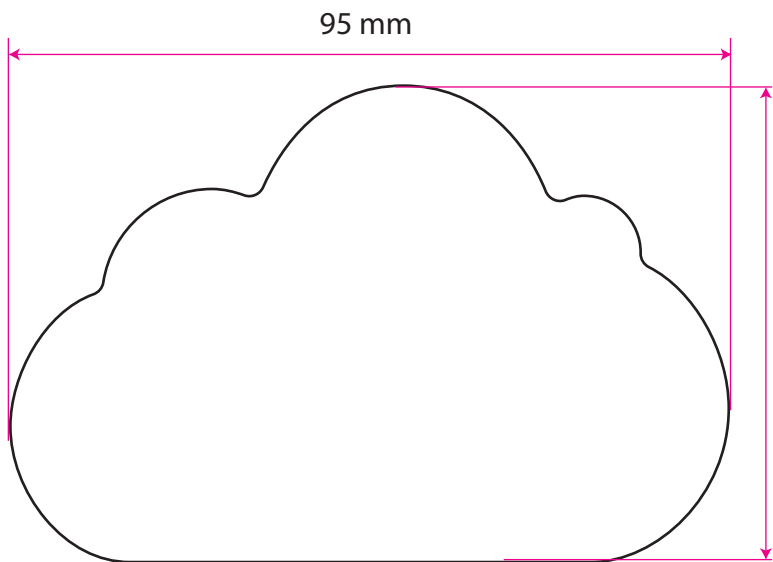
Model 269



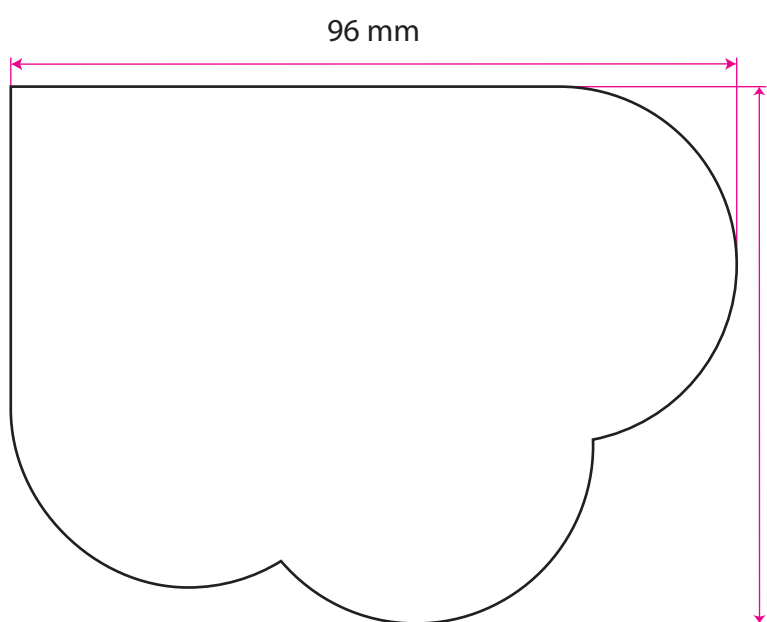
Model 259



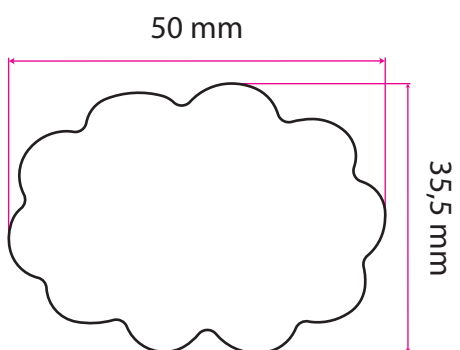
Model 201



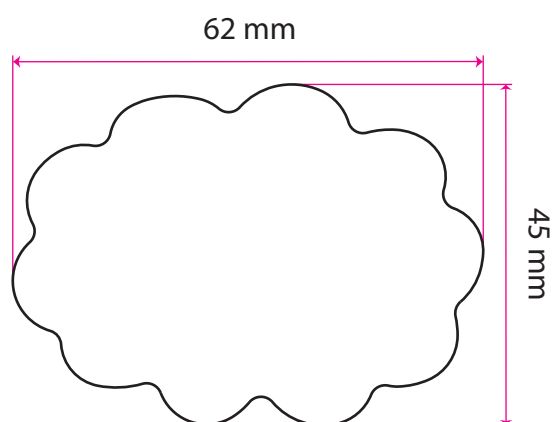
Model 145



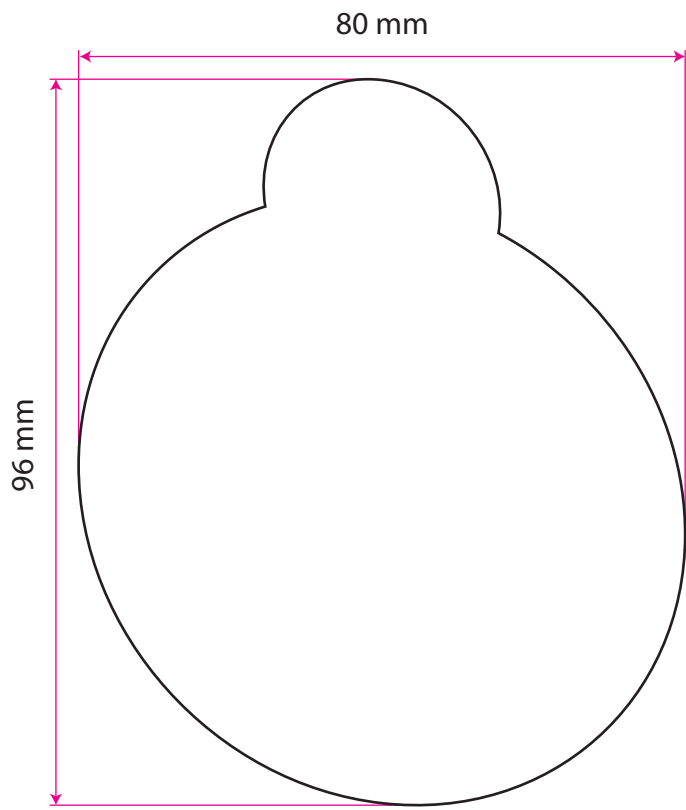
Model 030



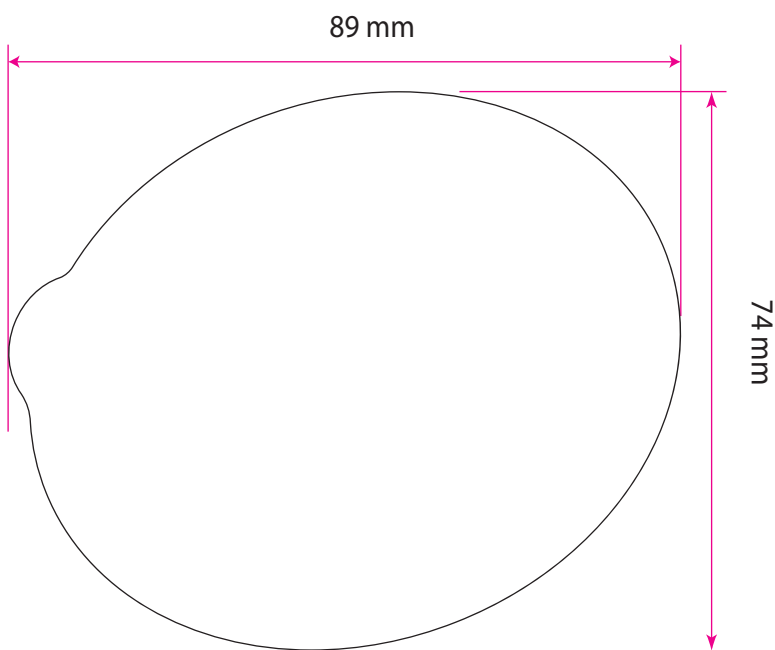
Model 029



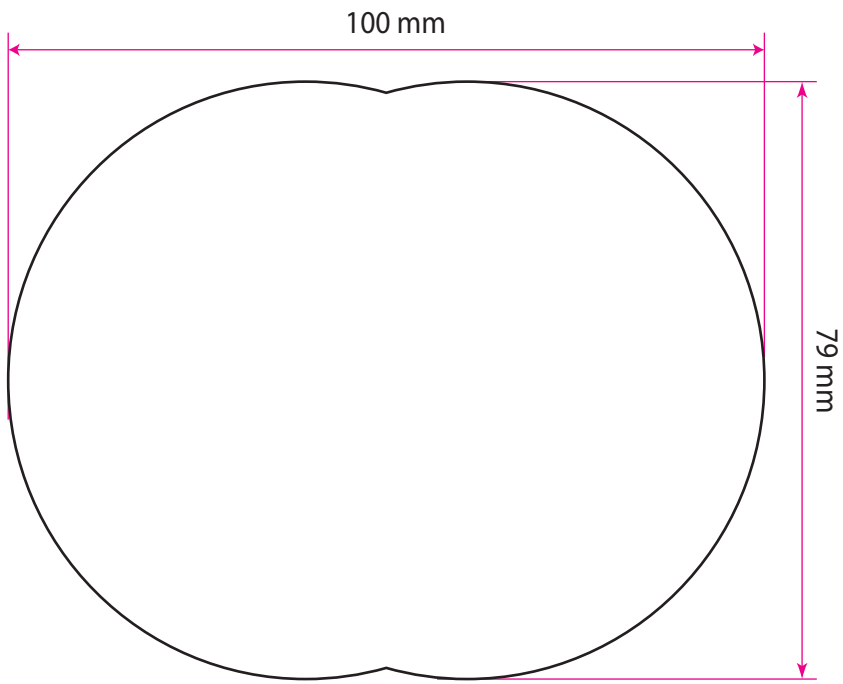
Model 024



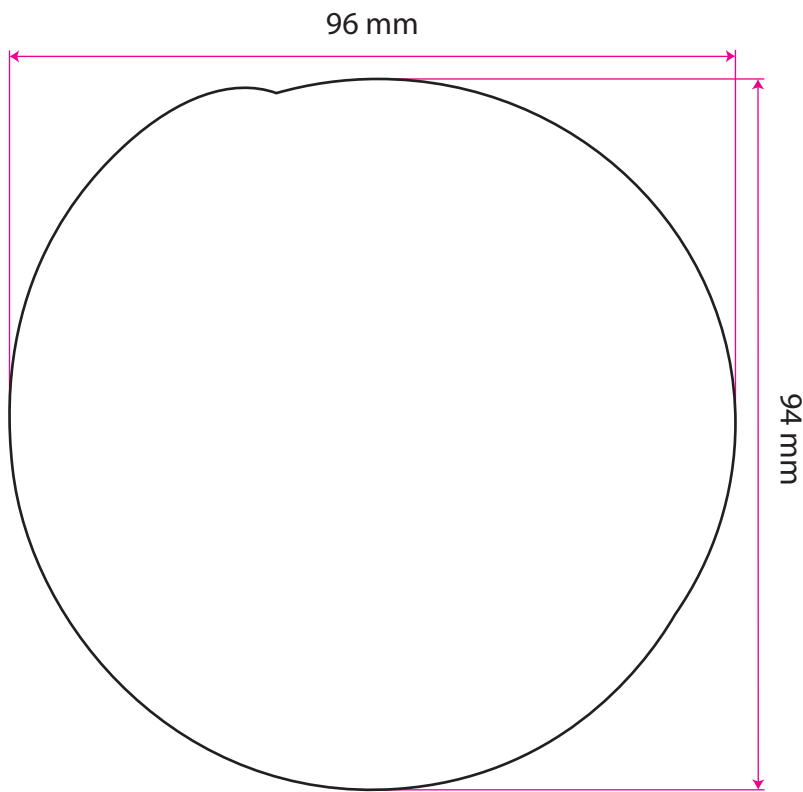
Model 090

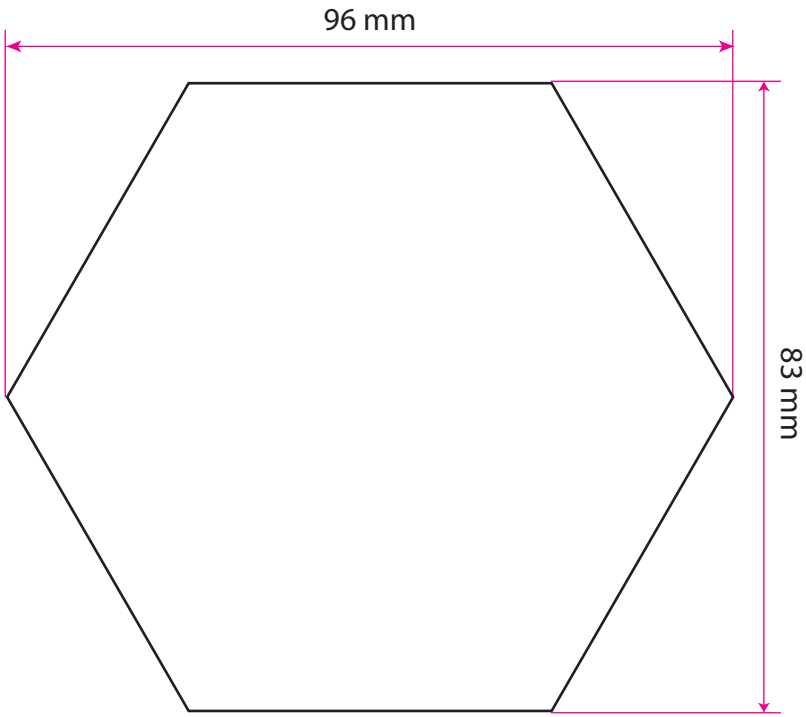


Model 290

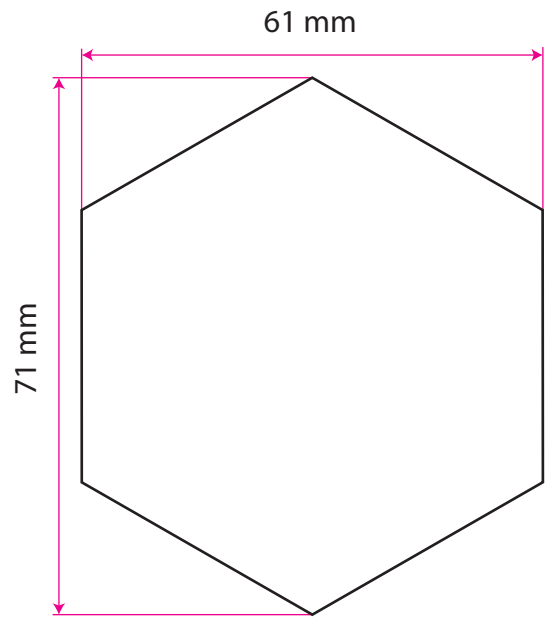


Model 293

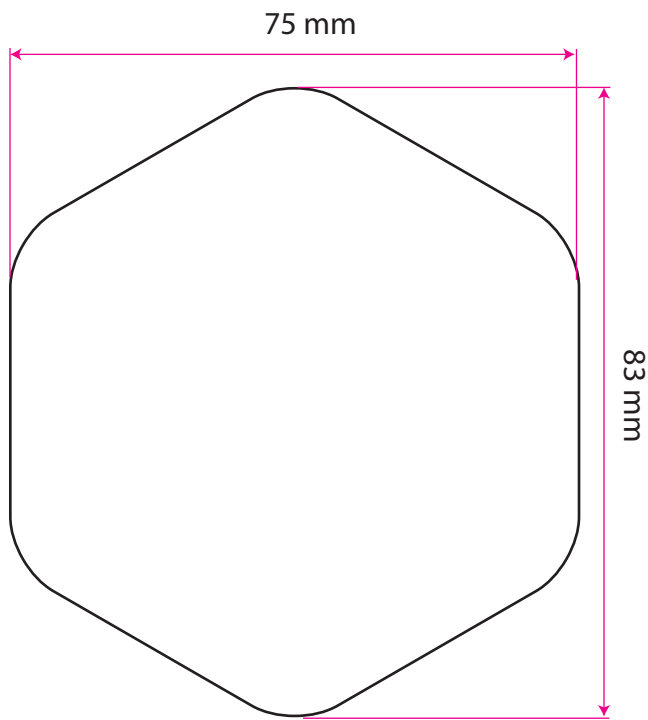




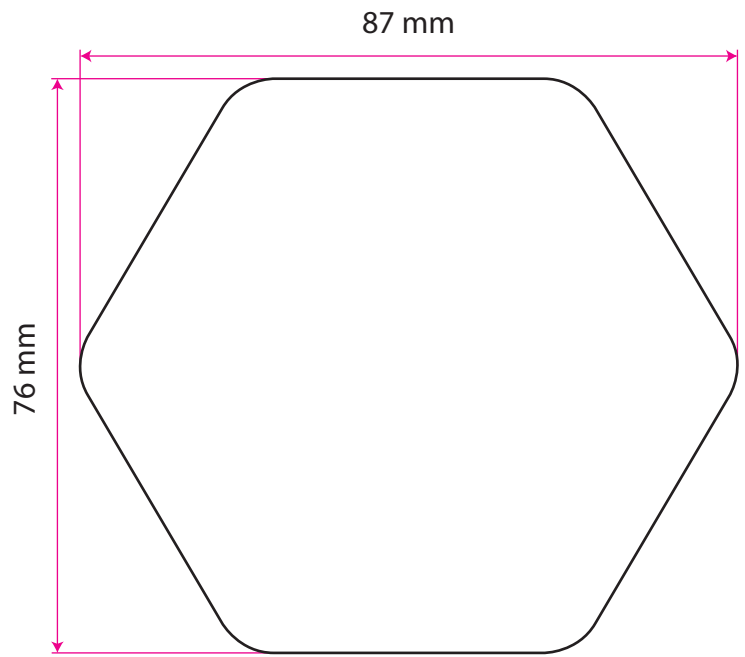
Model 263



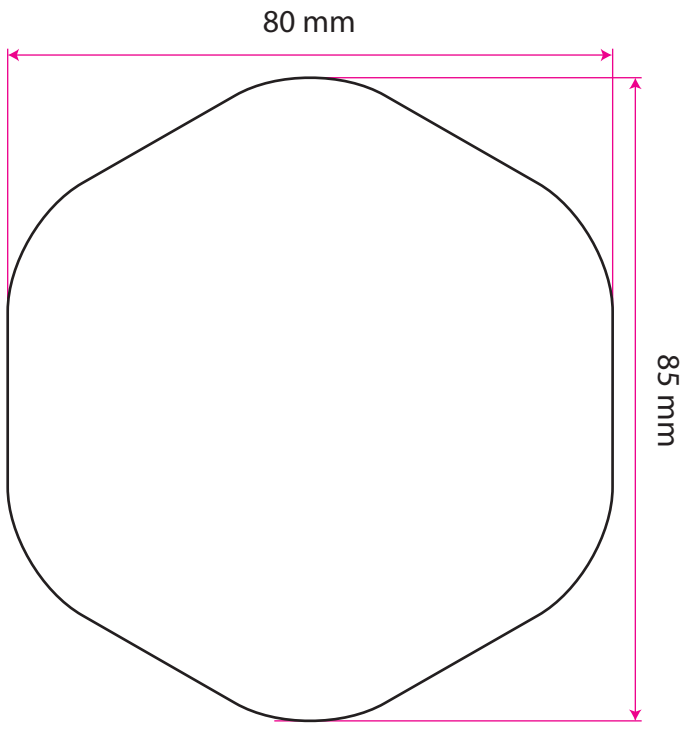
Model 069



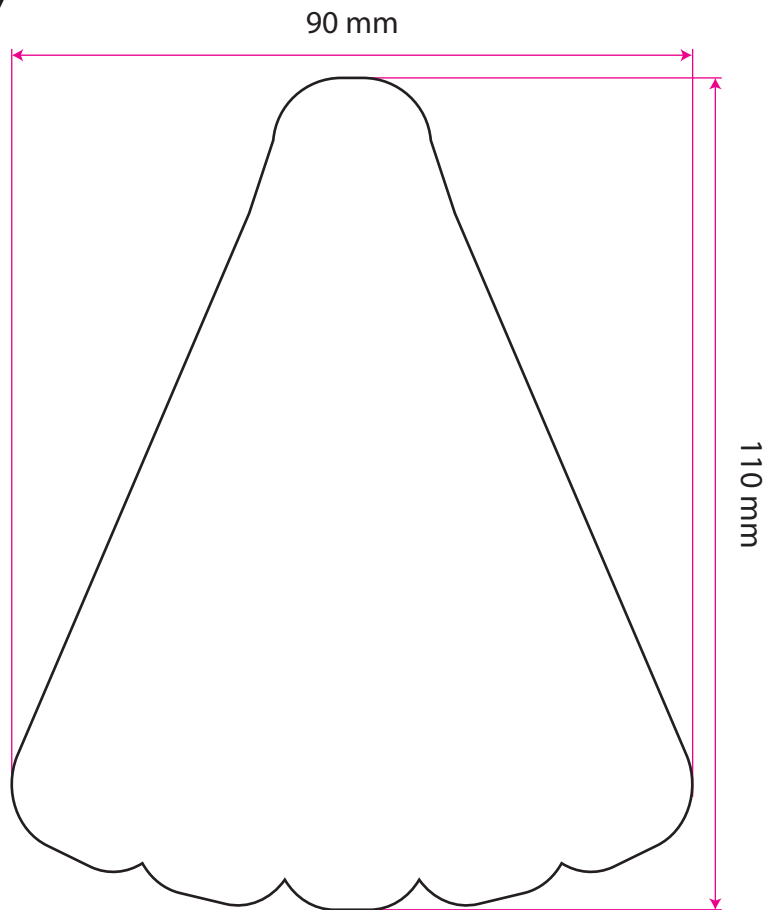
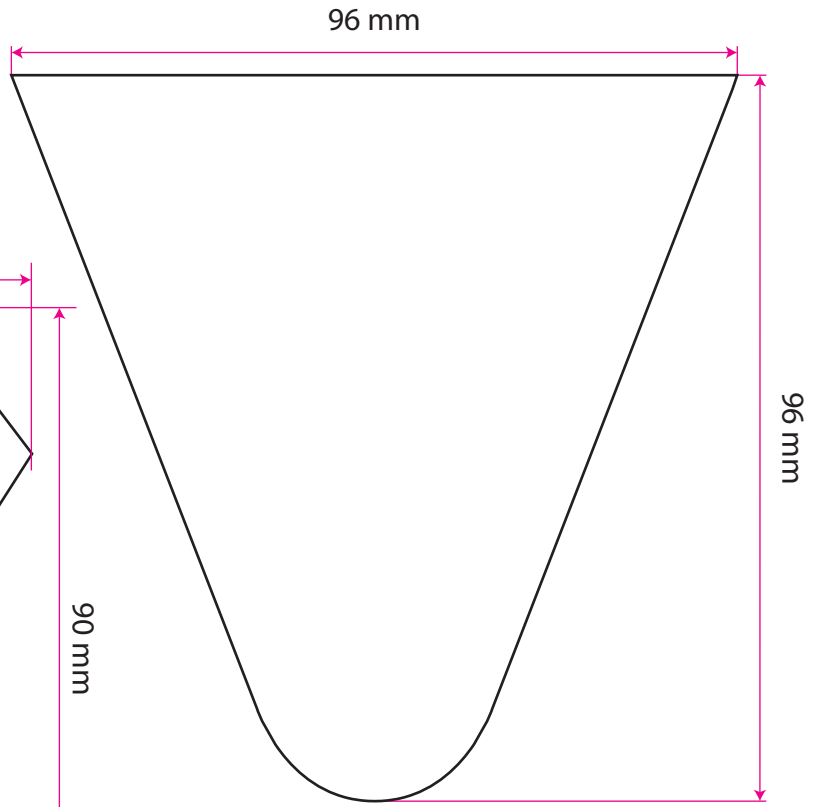
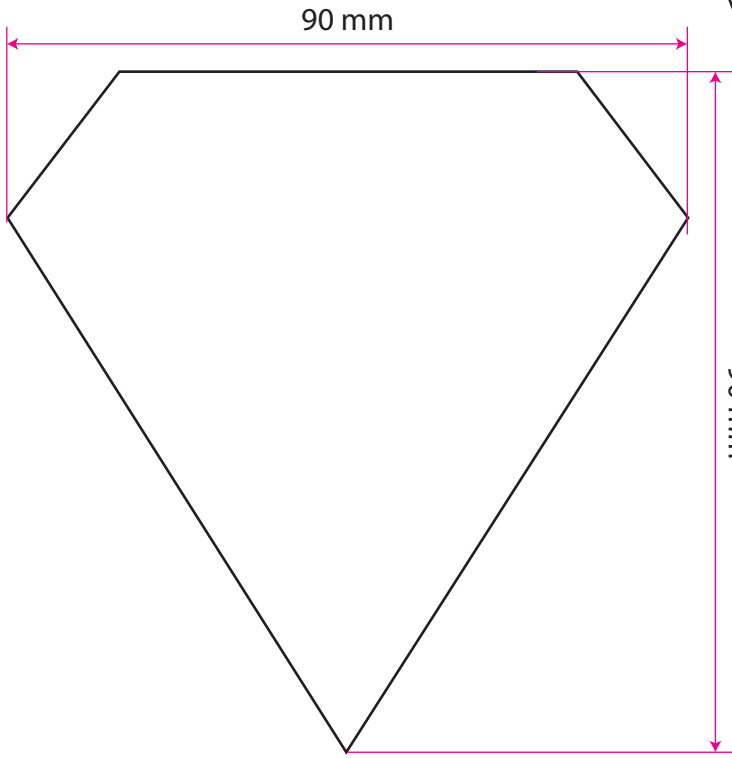
Model 212



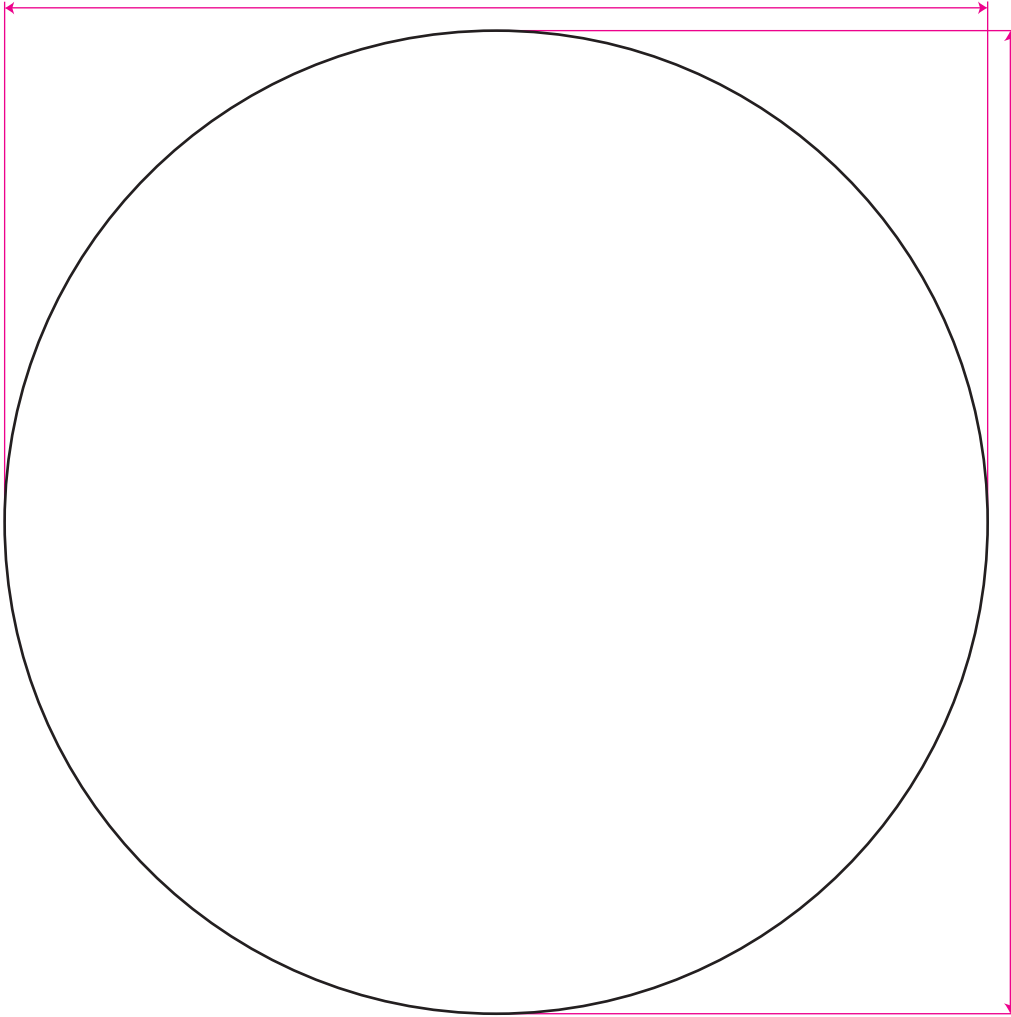
Model 077



Model 135



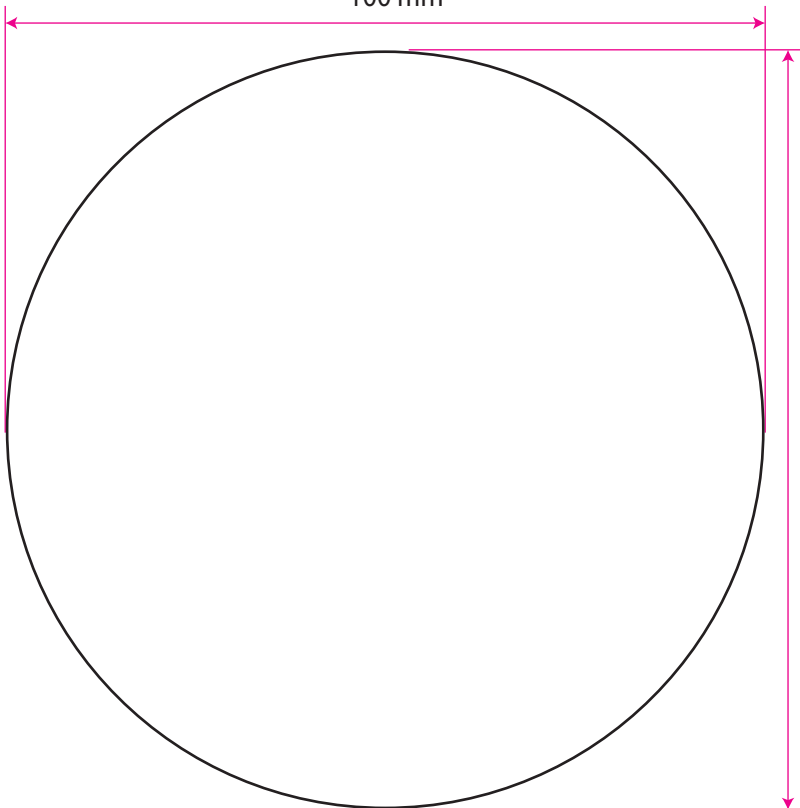
130 mm



130 mm

Model 037

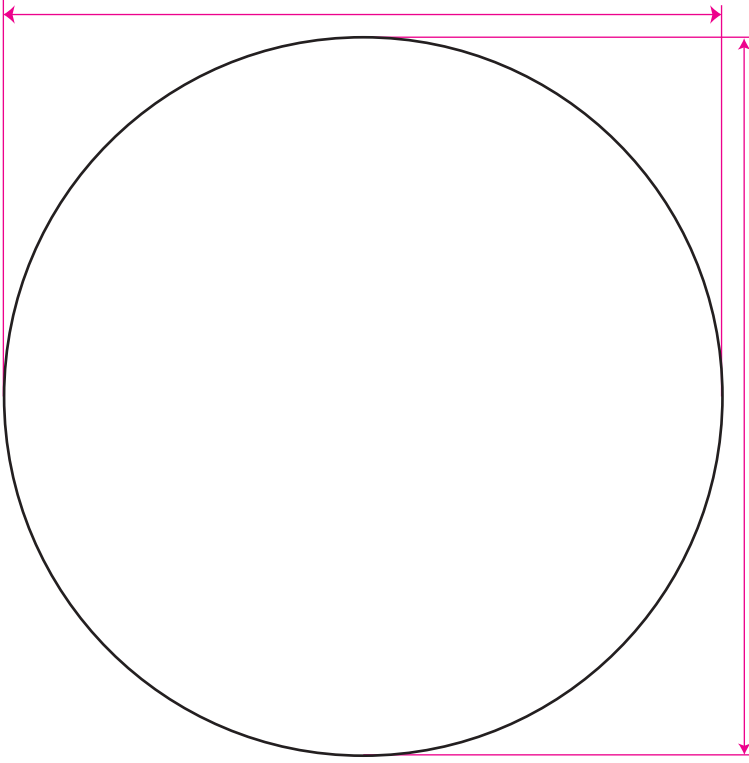
100 mm



100 mm

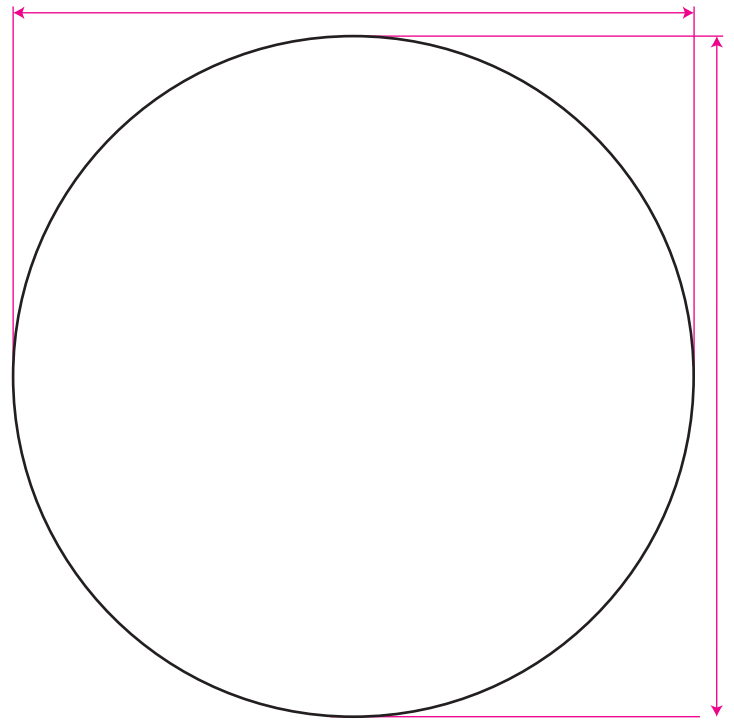
Model 258

95 mm



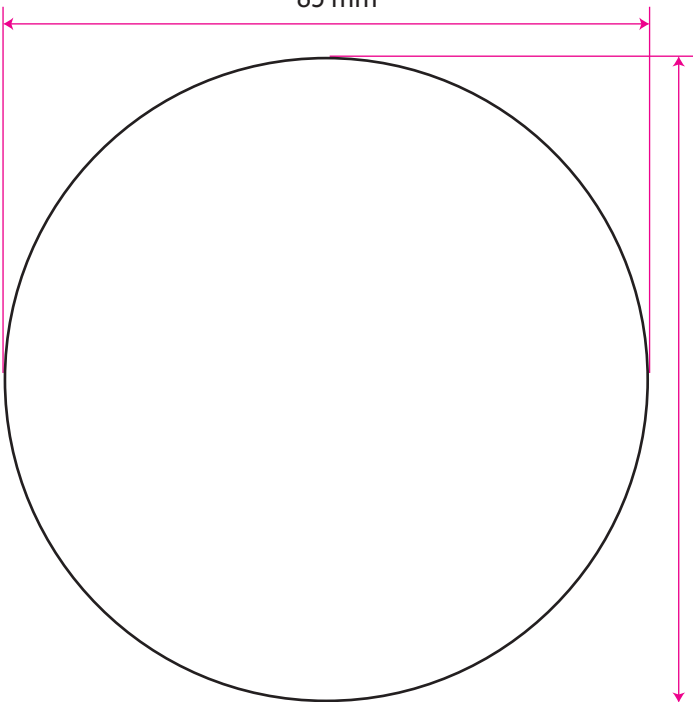
Model 015

90 mm



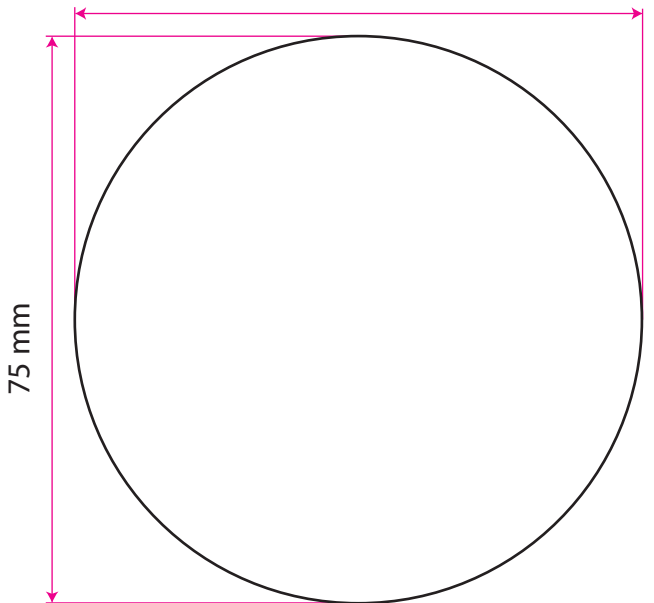
Model 006

85 mm

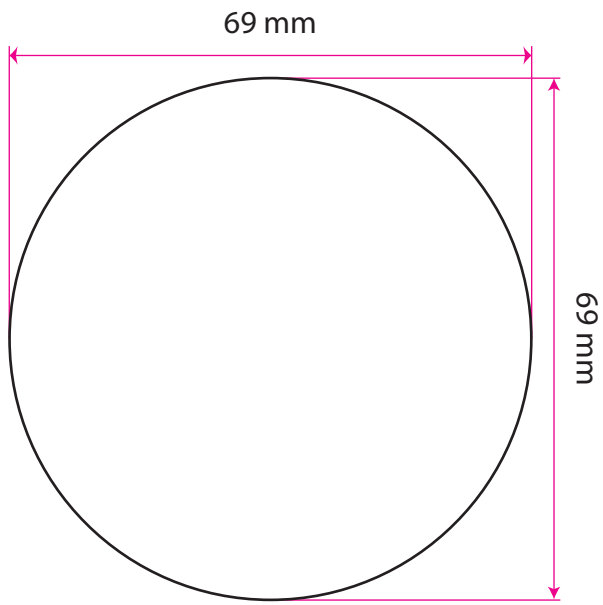


Model 264

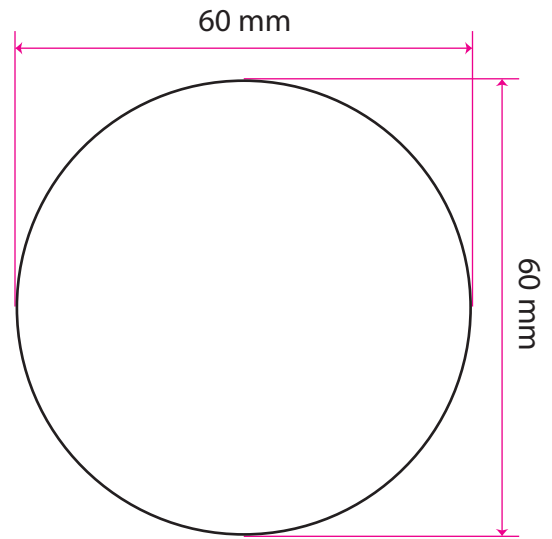
75 mm



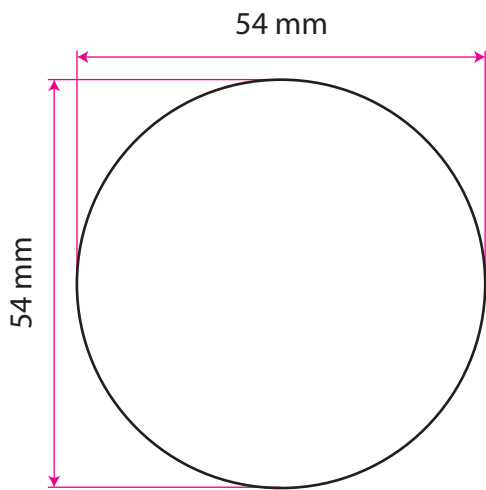
Model 056



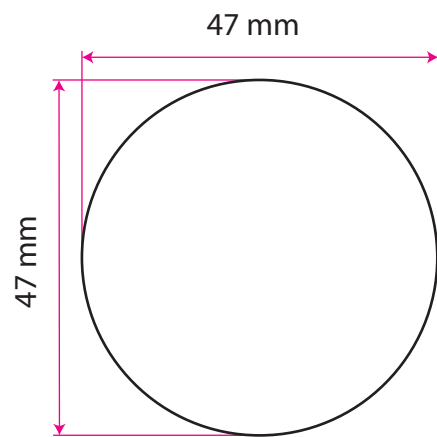
Model 018



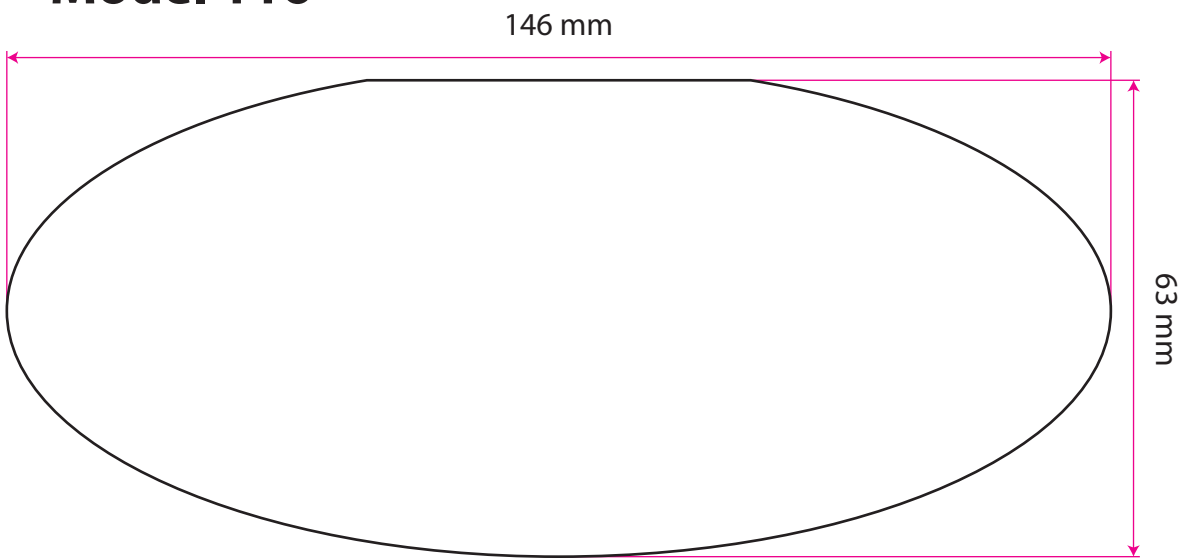
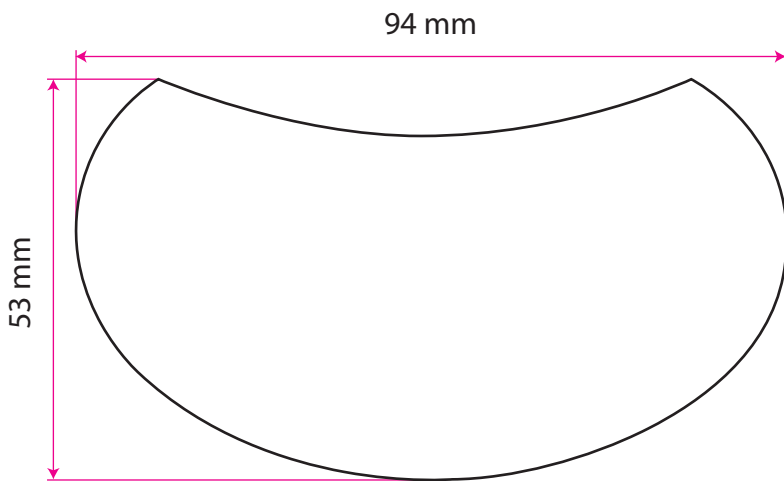
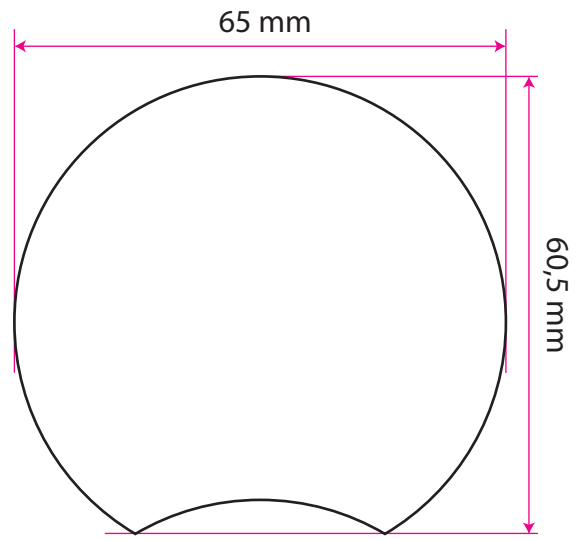
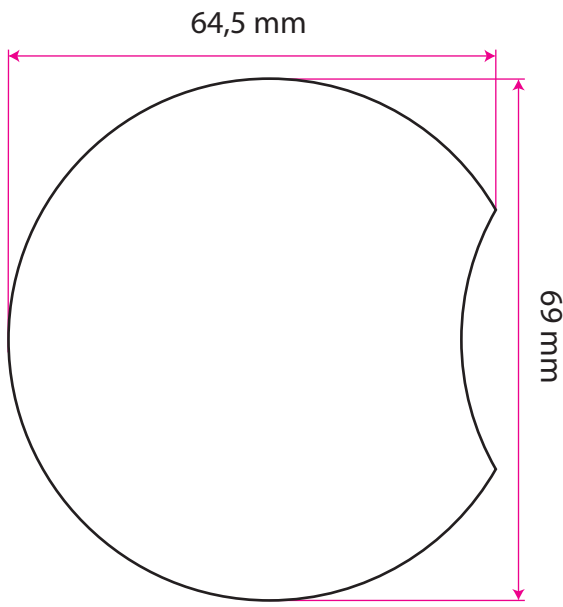
Model 255

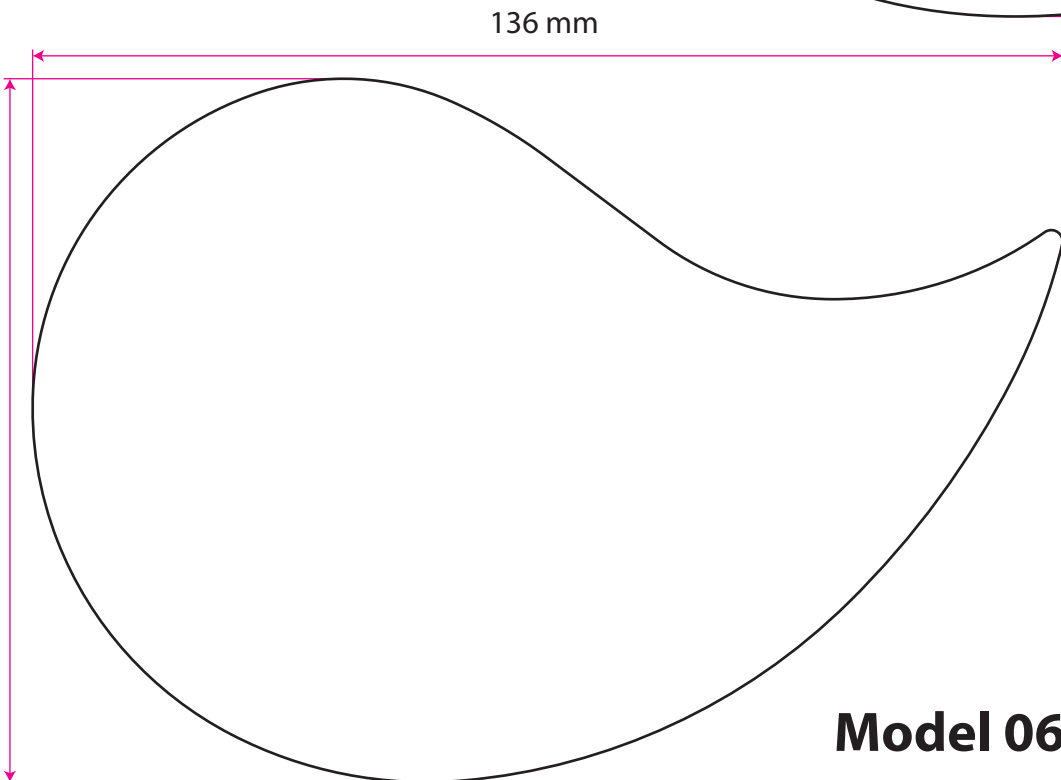
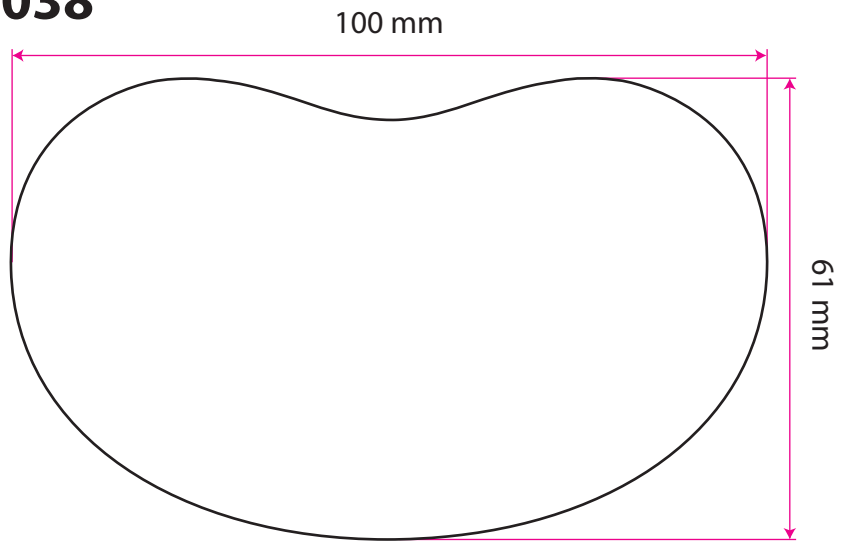
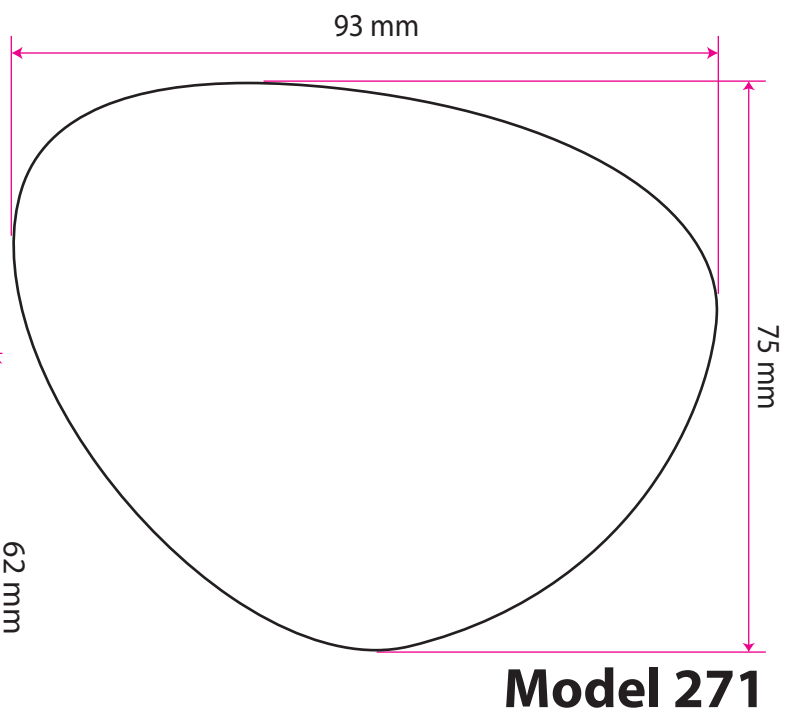
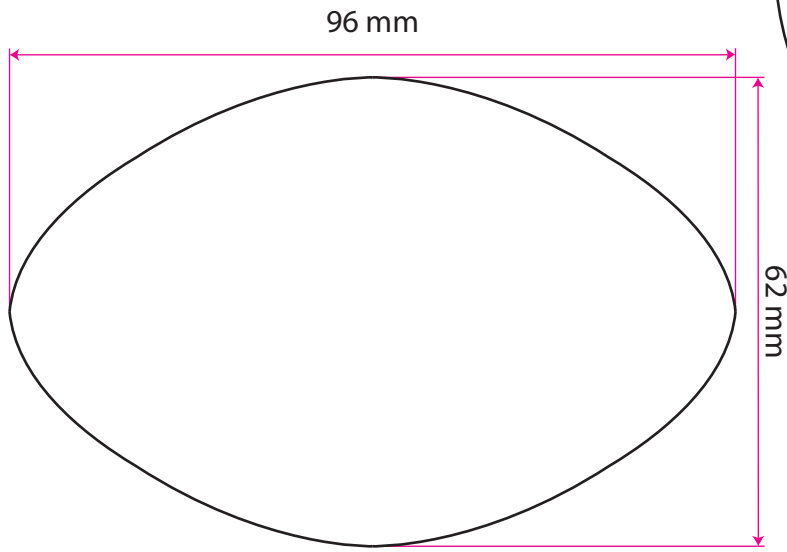


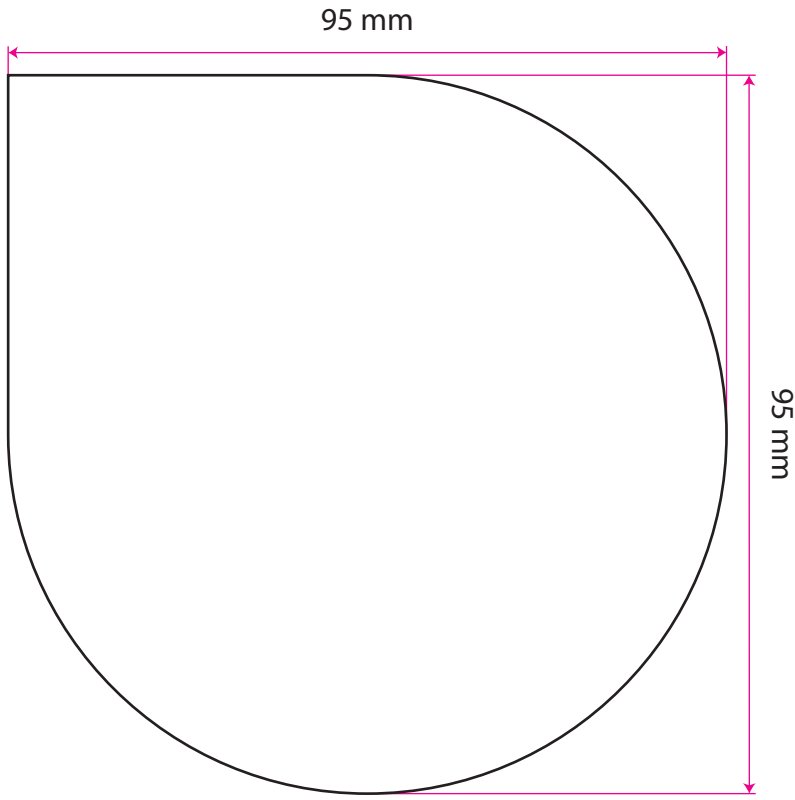
Model 057



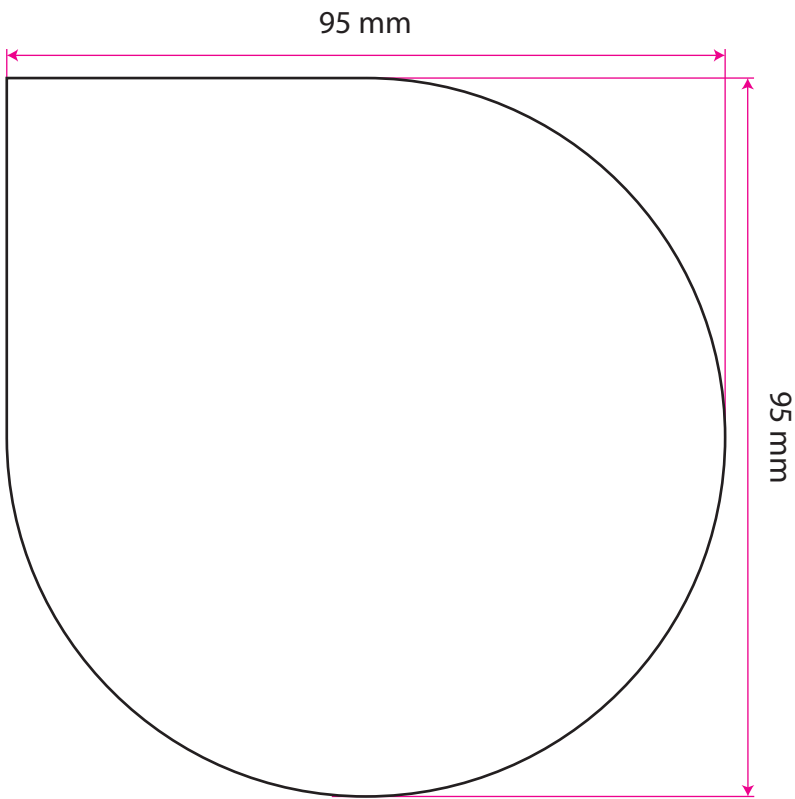
Model 058



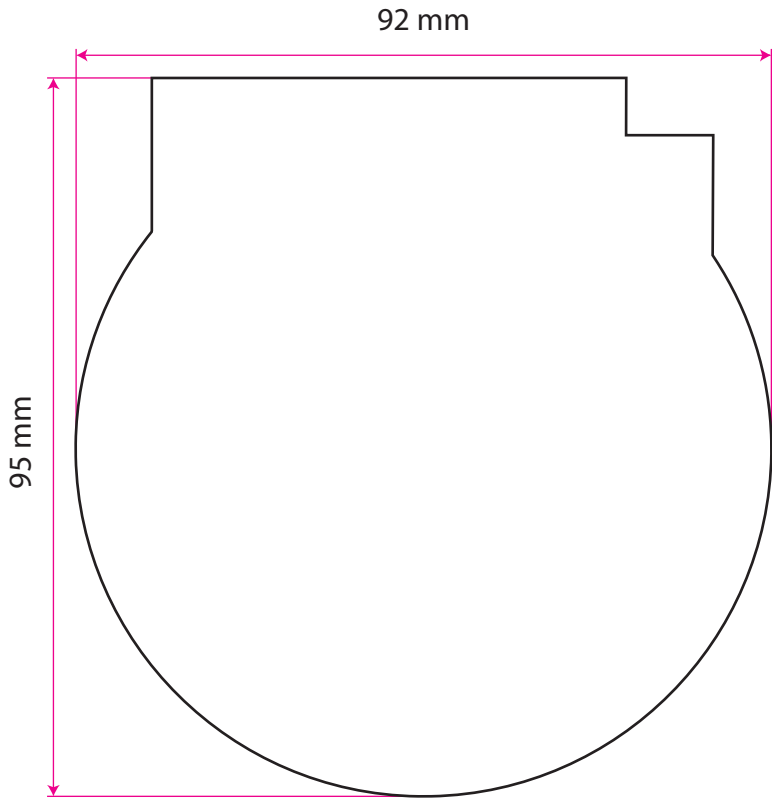




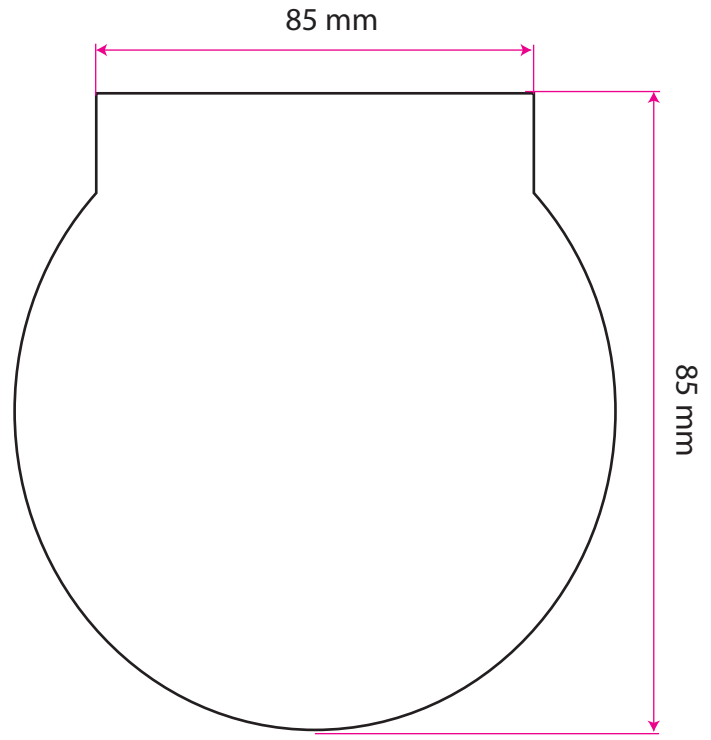
Model 039



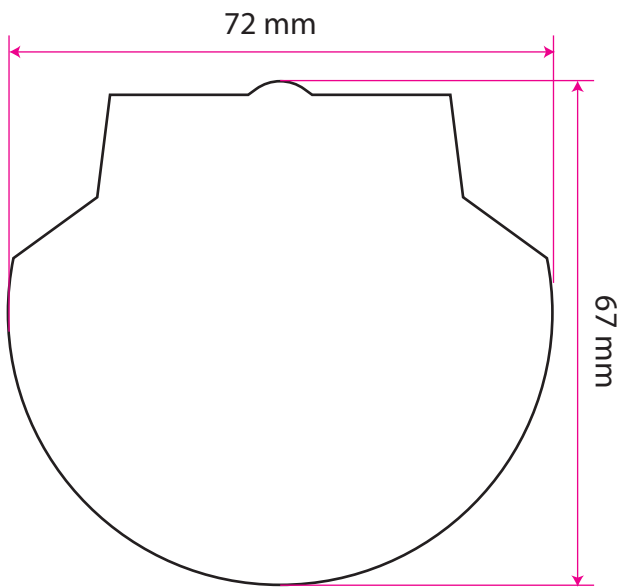
Model 008



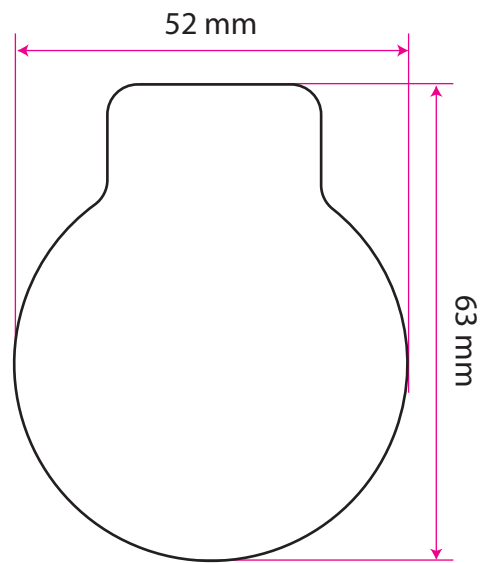
Model 112



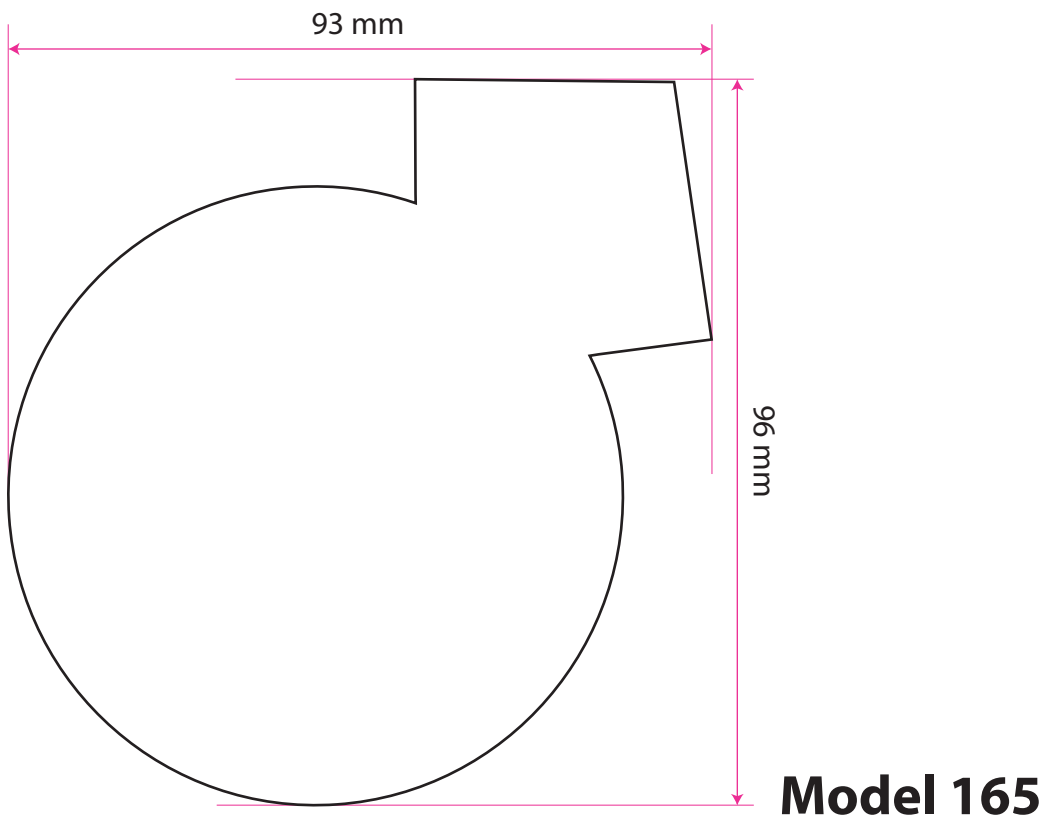
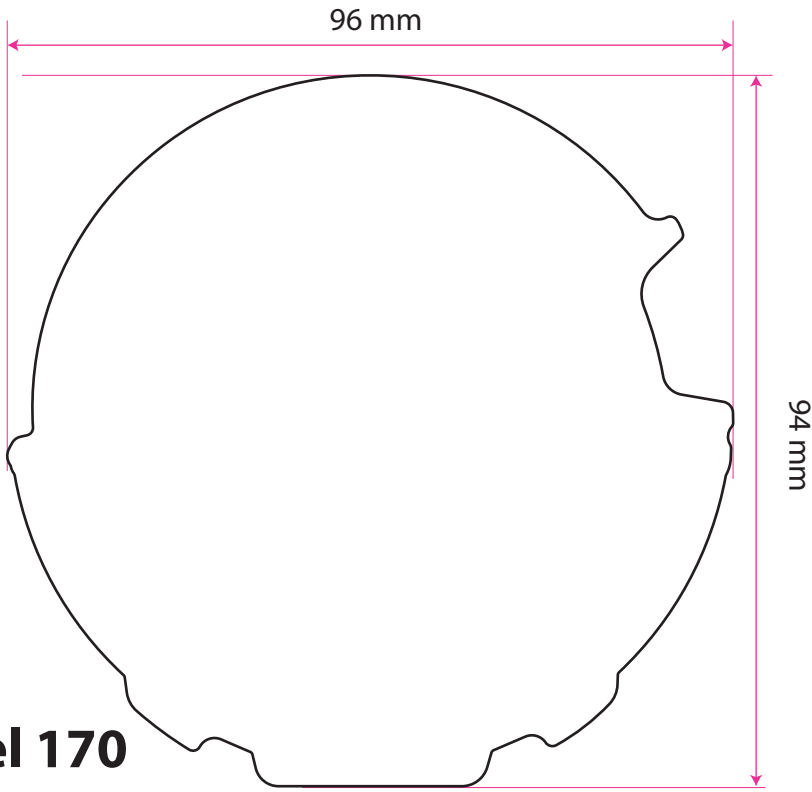
Model 208

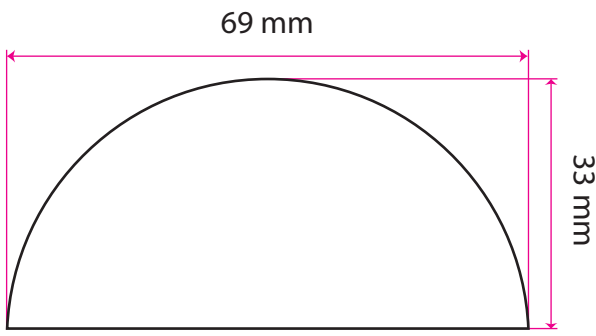


Model 240

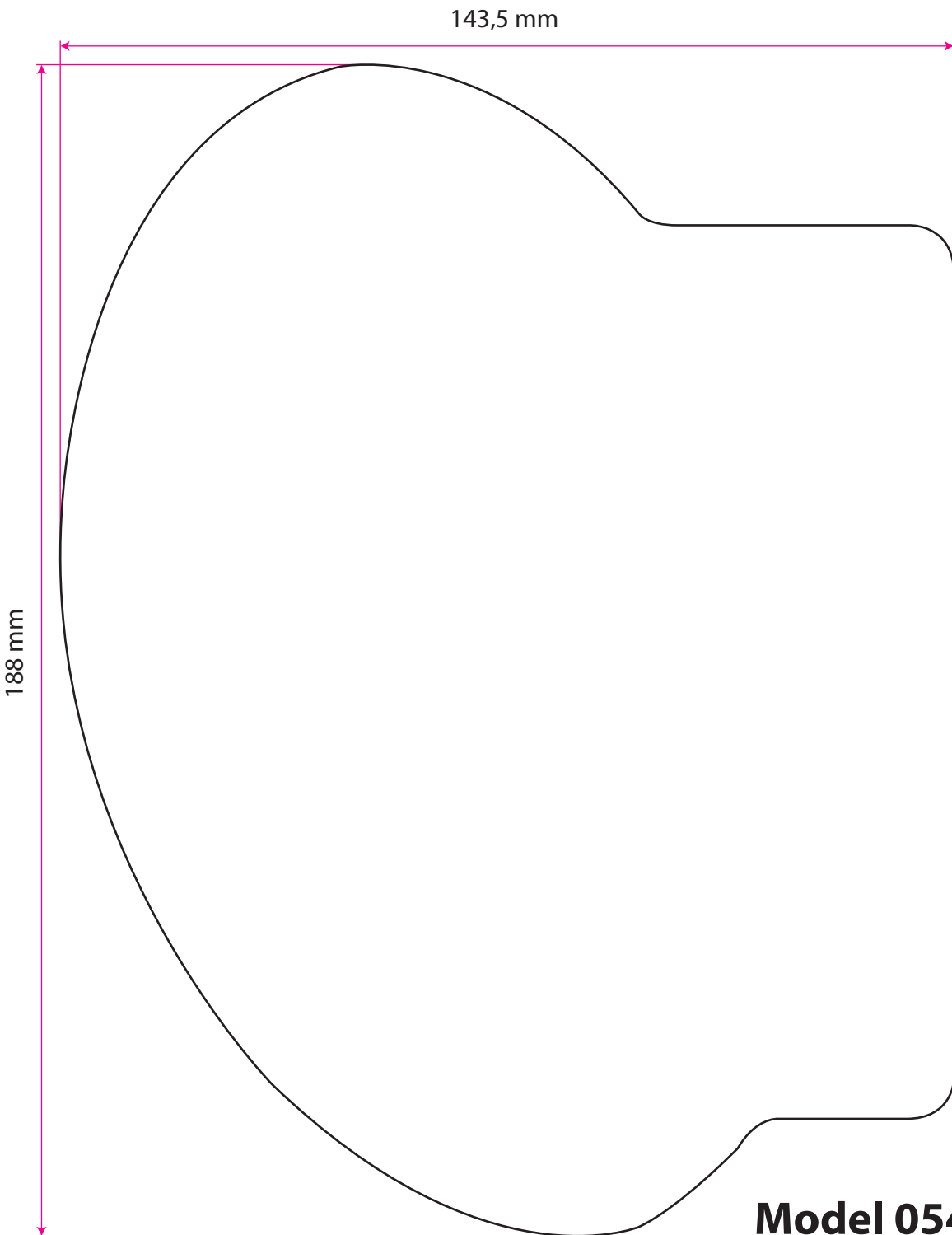


Model 232

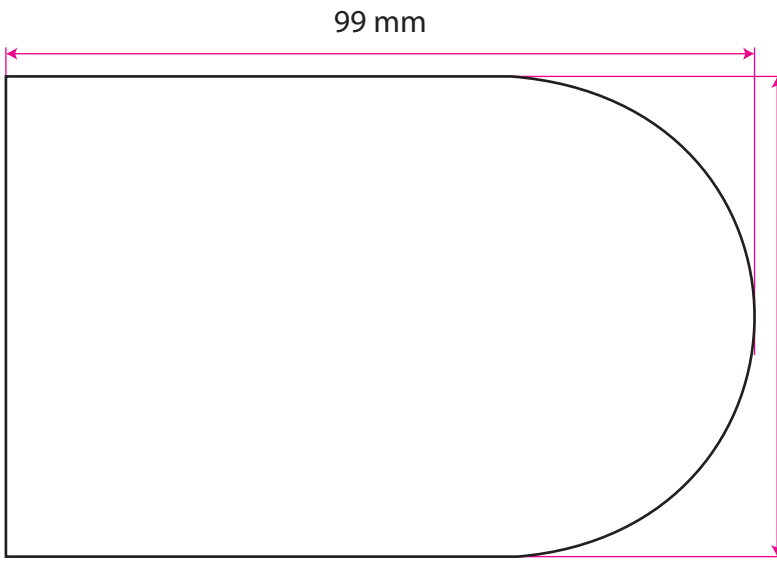




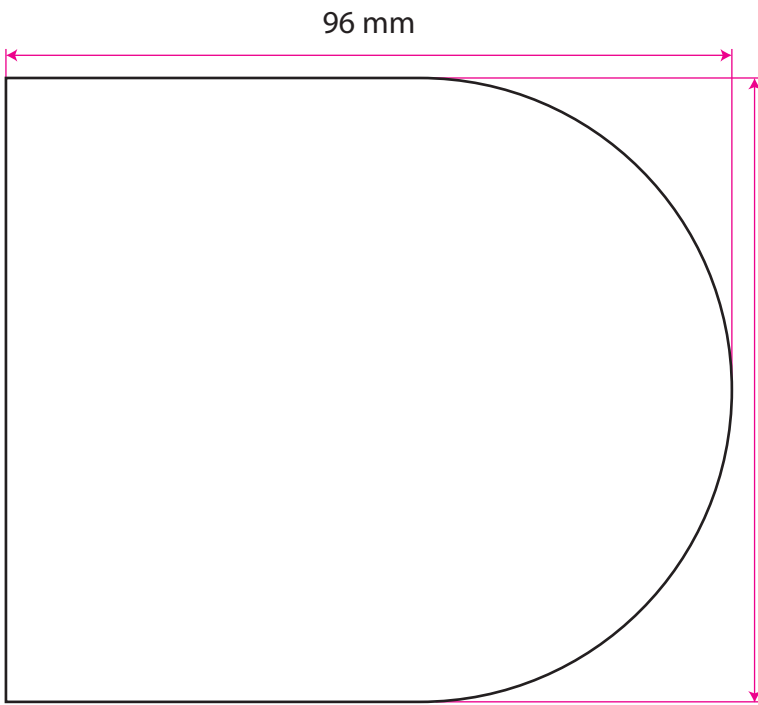
Model 013



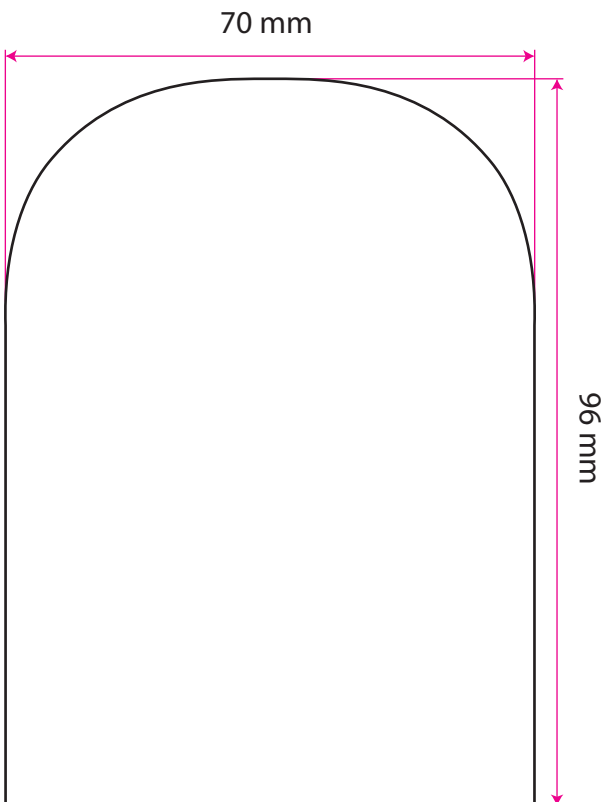
Model 054



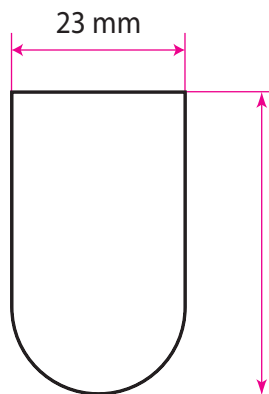
Model 004



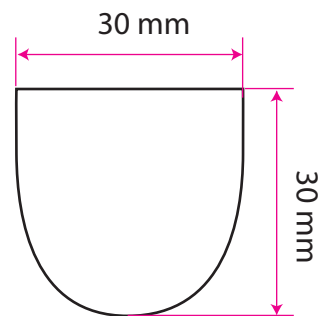
Model 129



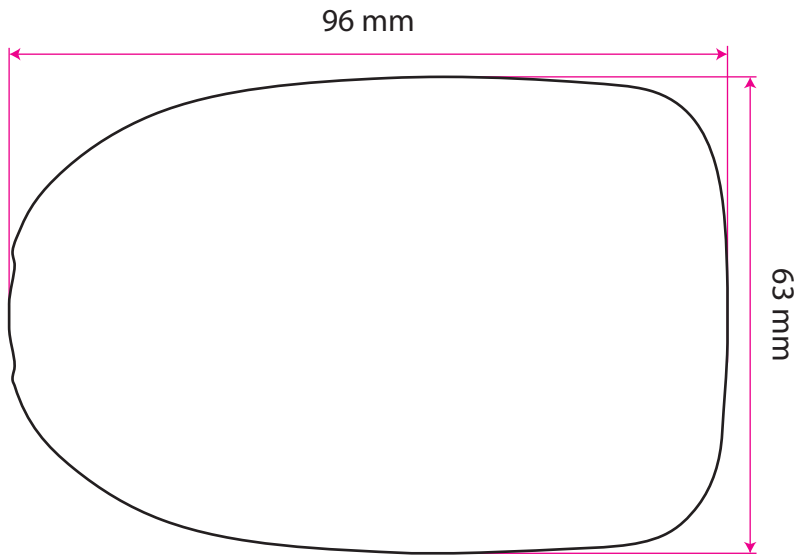
Model 053



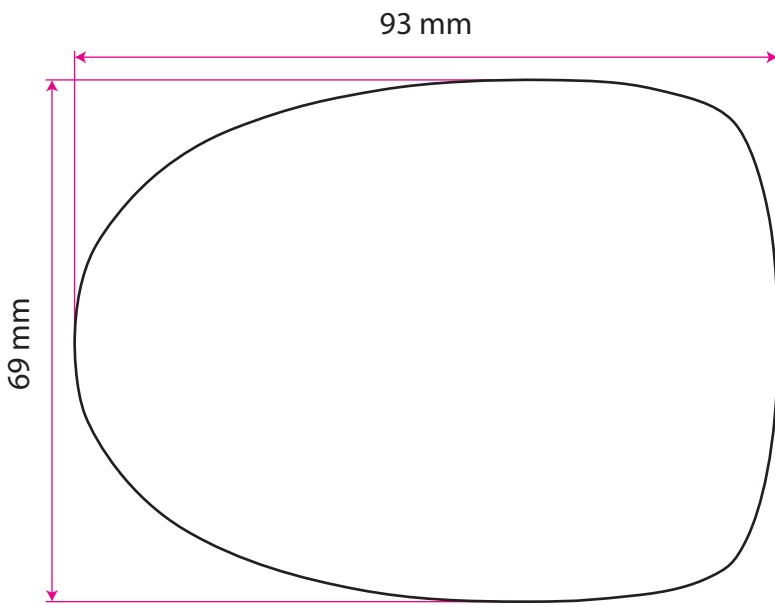
Model 281



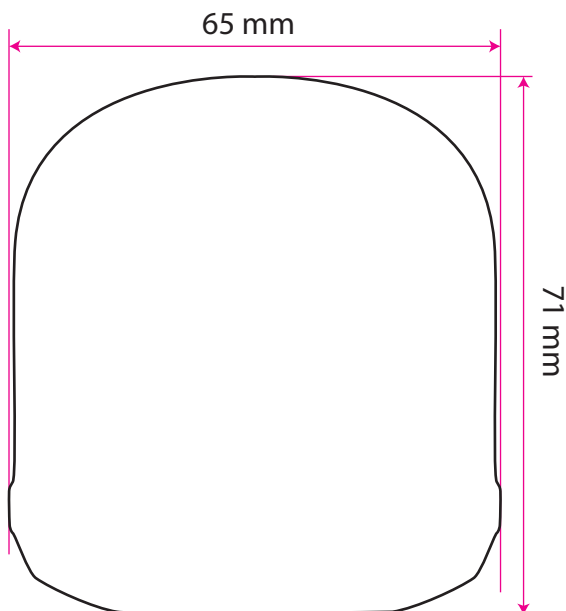
Model 206



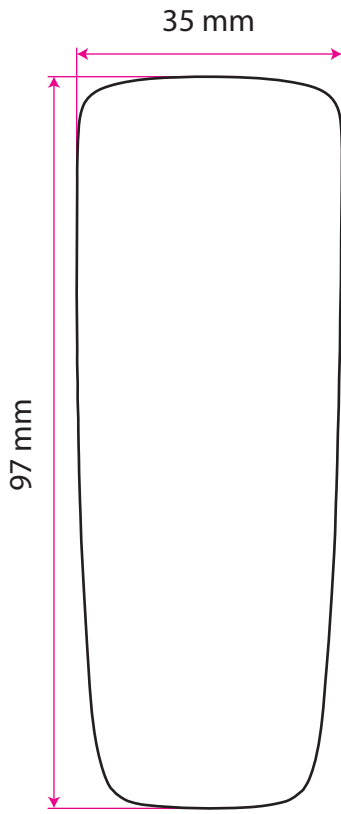
Model 138



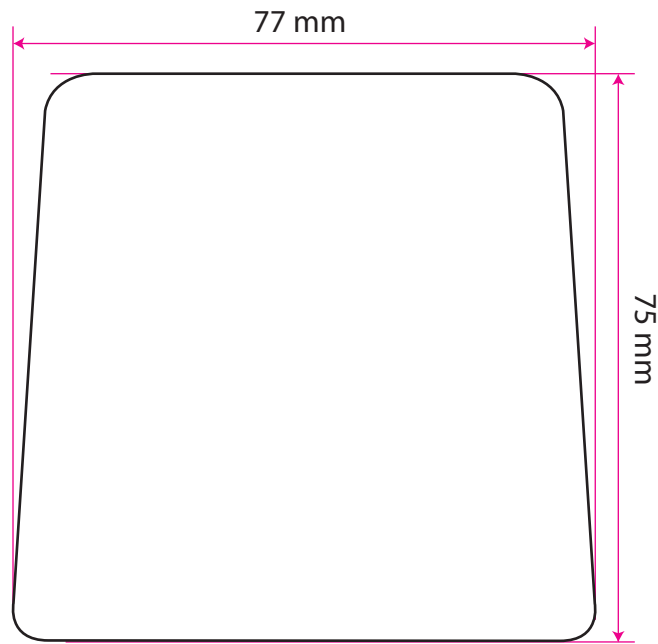
Model 076



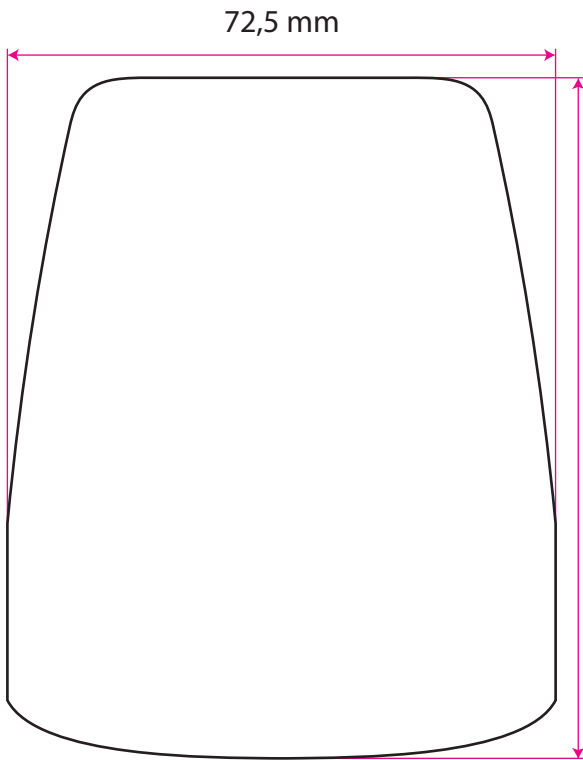
Model 157



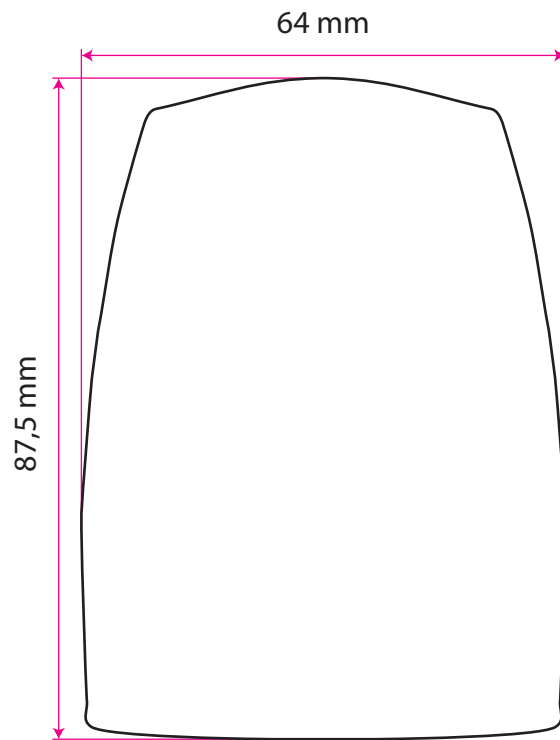
Model 103



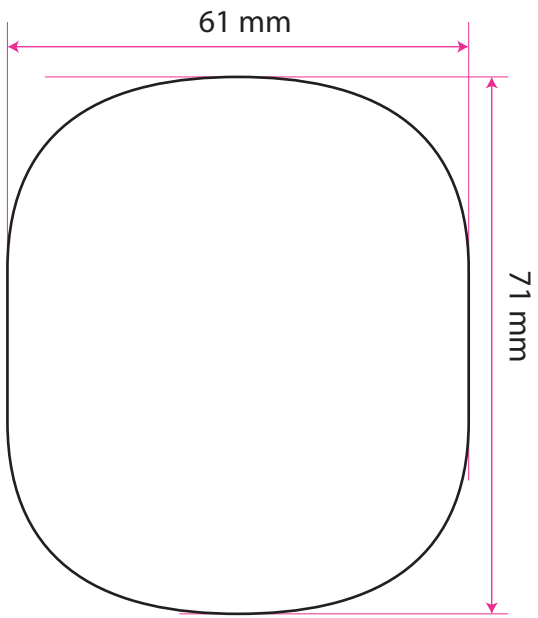
Model 156



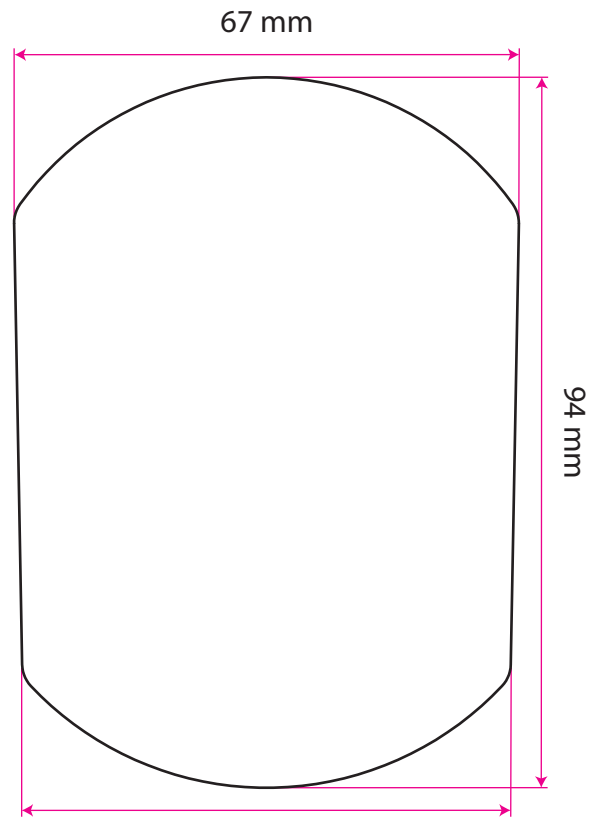
Model 141



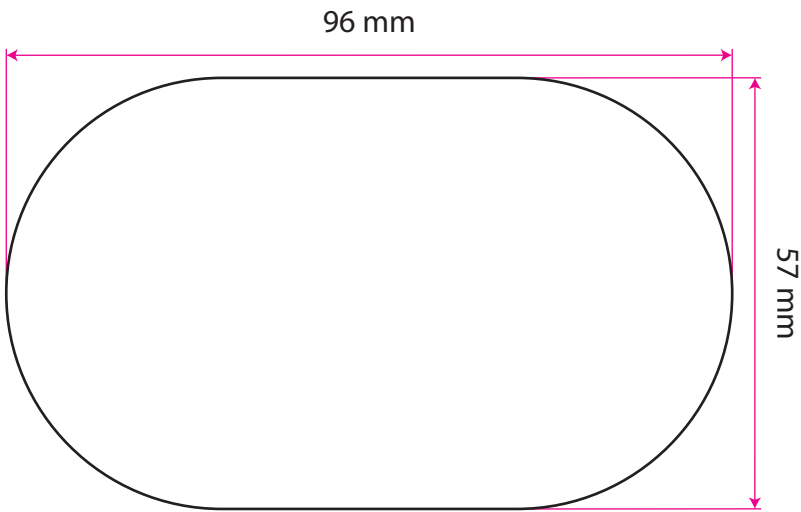
Model 086



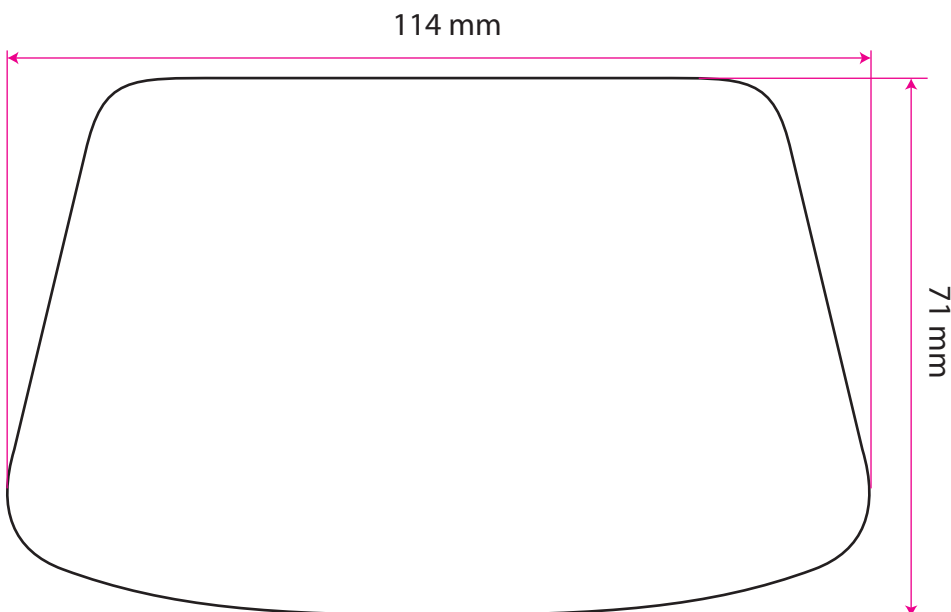
Model 172



Model 010

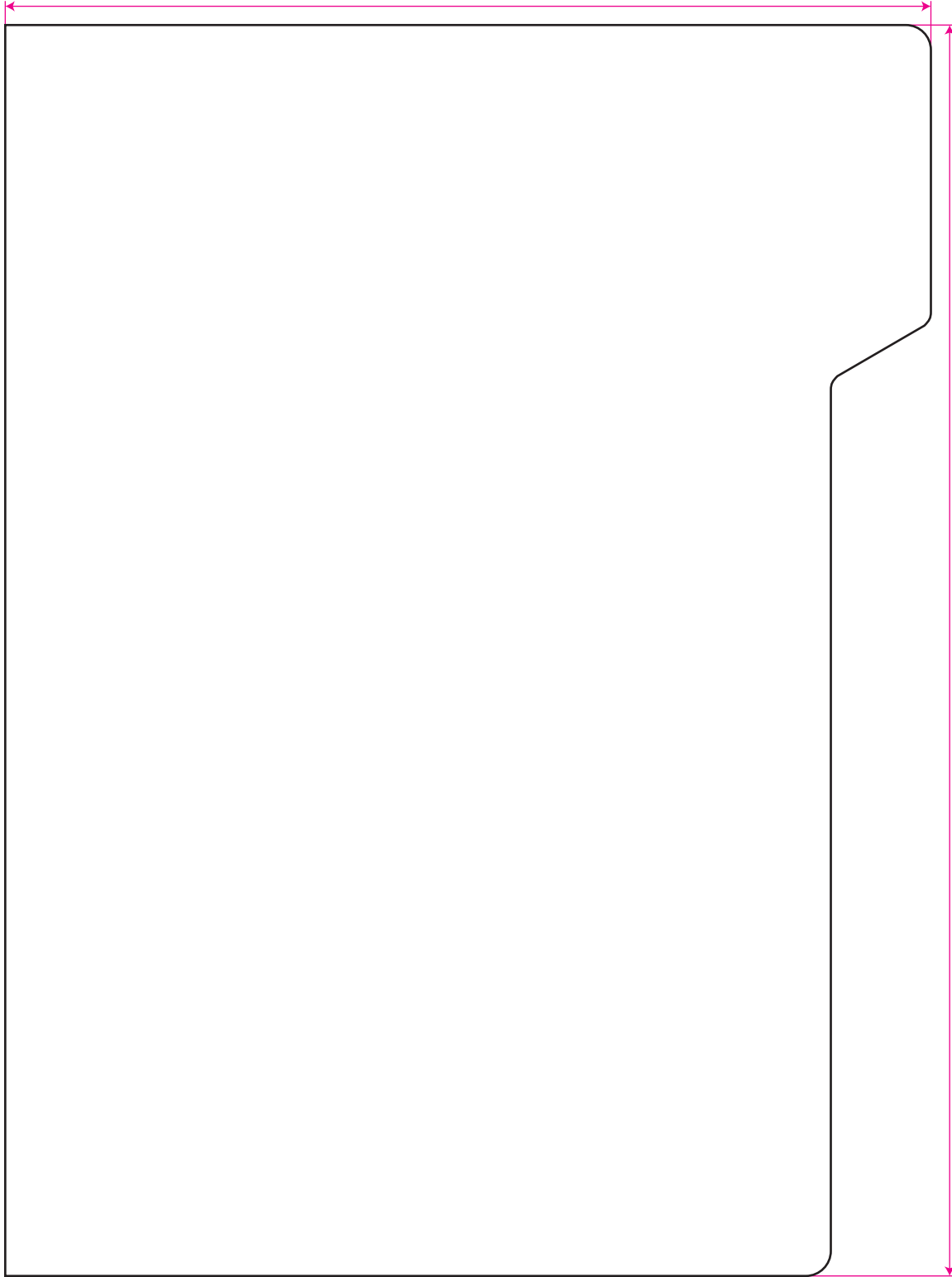


Model 005



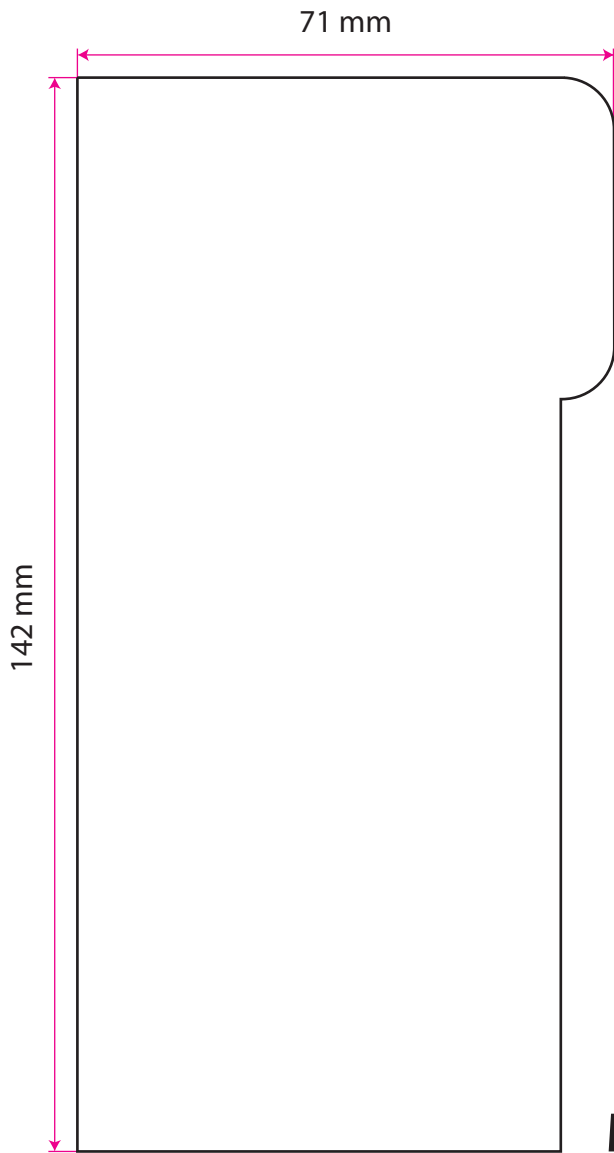
Model 246

148 mm

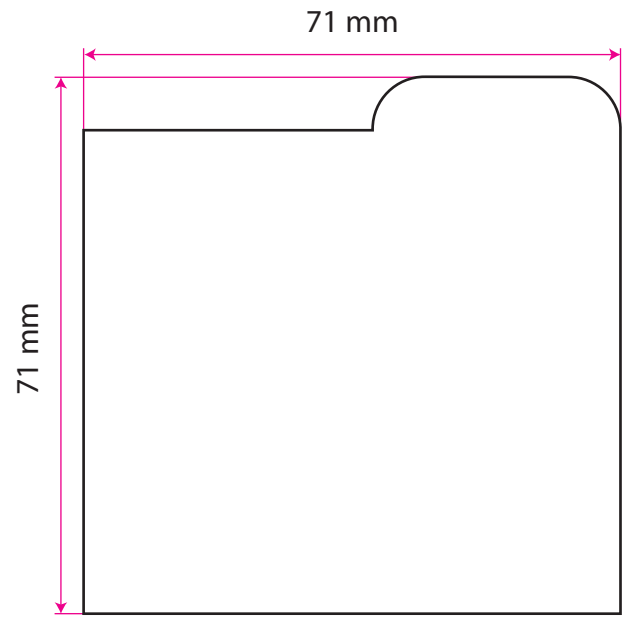


200 mm

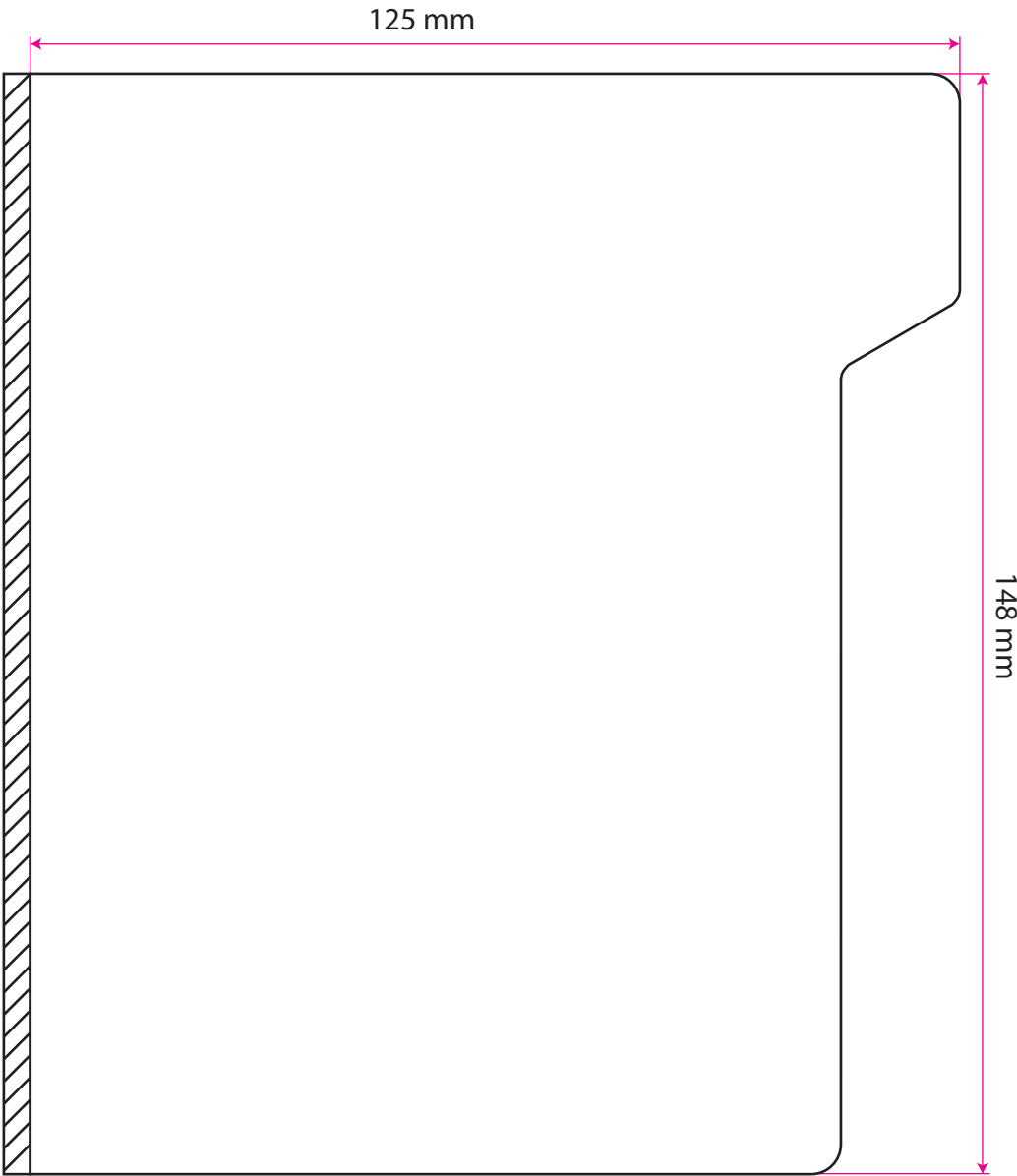
Model 064



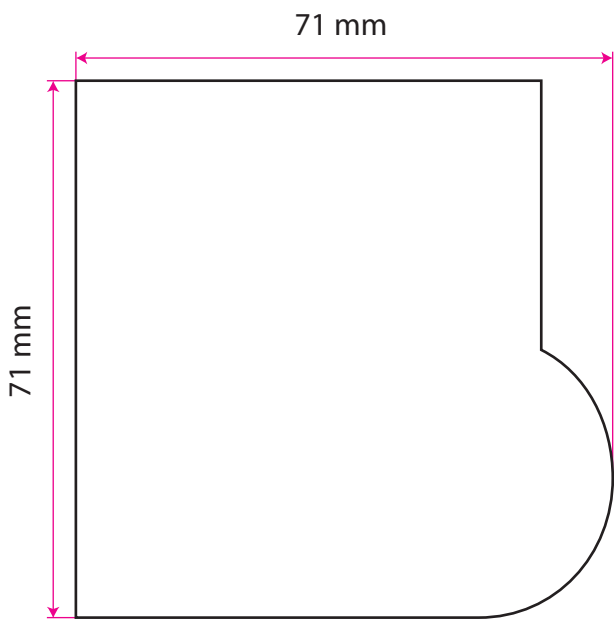
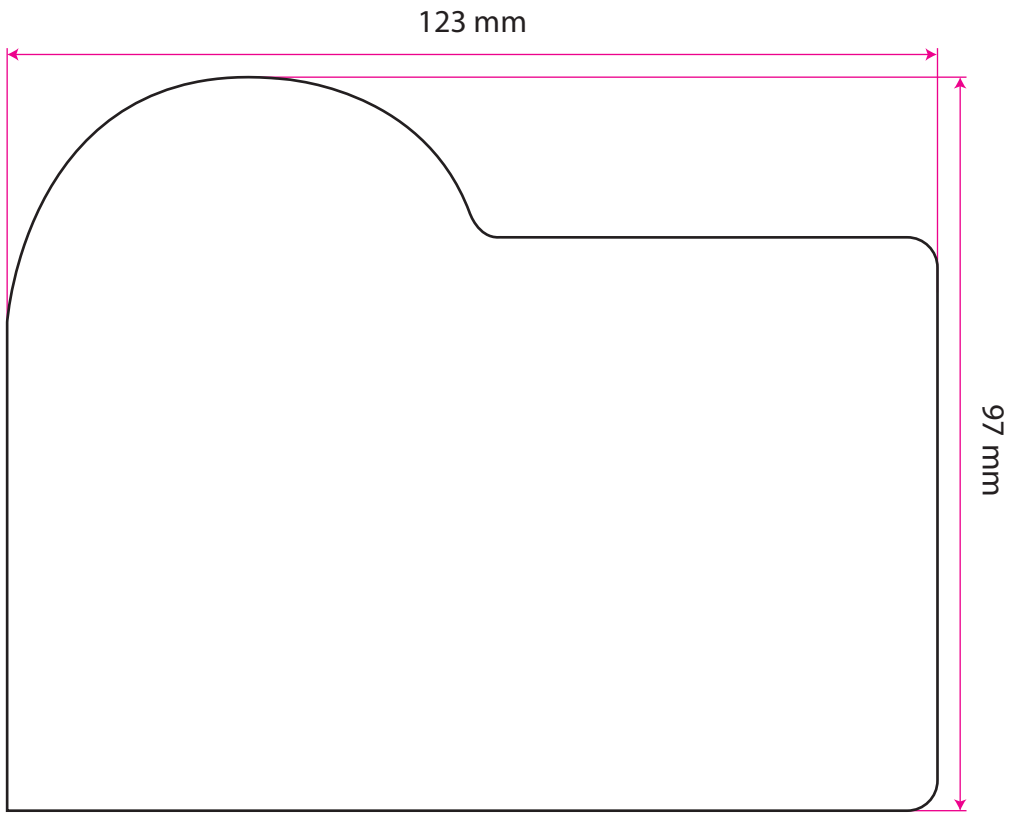
Model 080

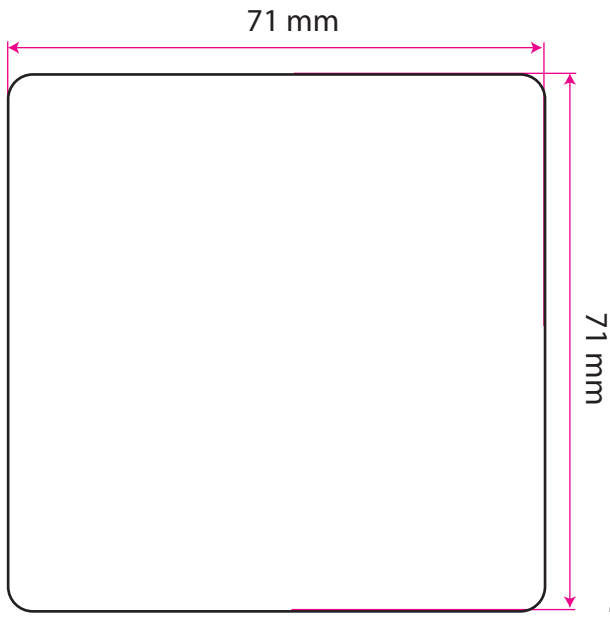


Model 079

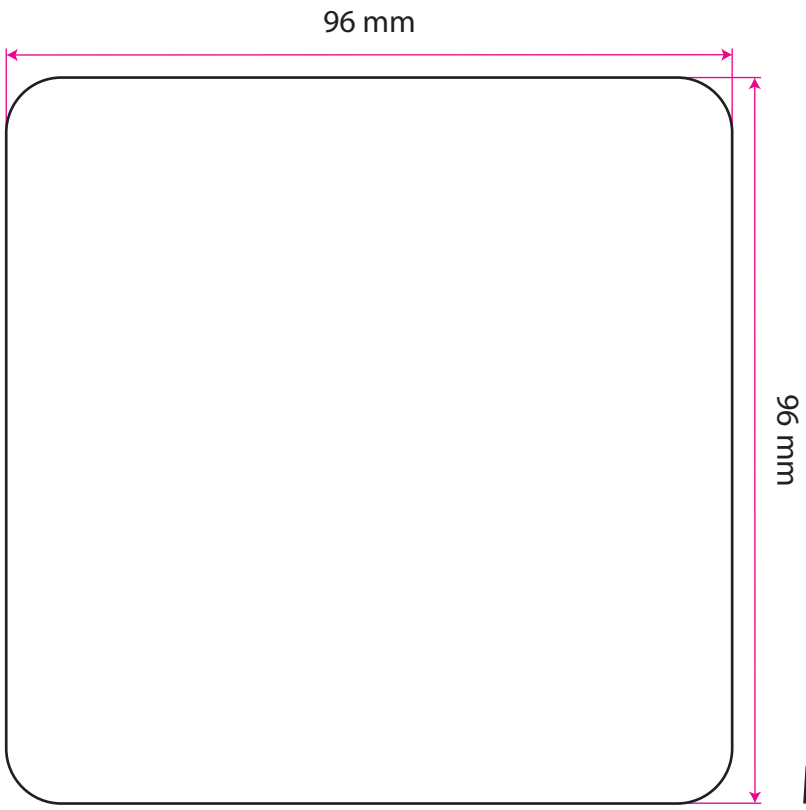


Model 152

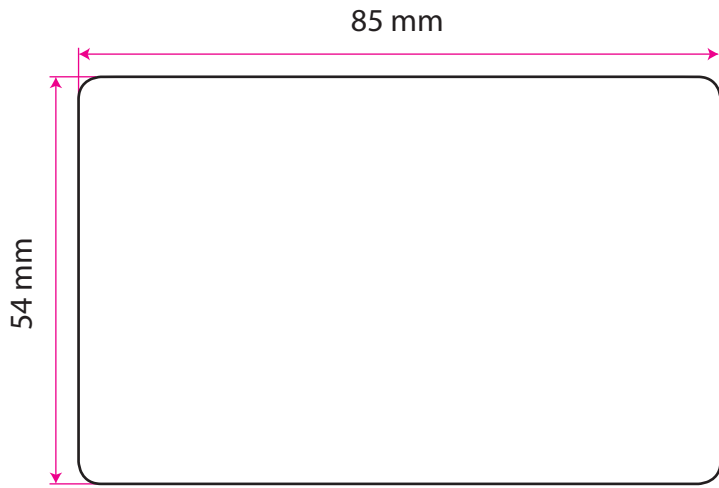




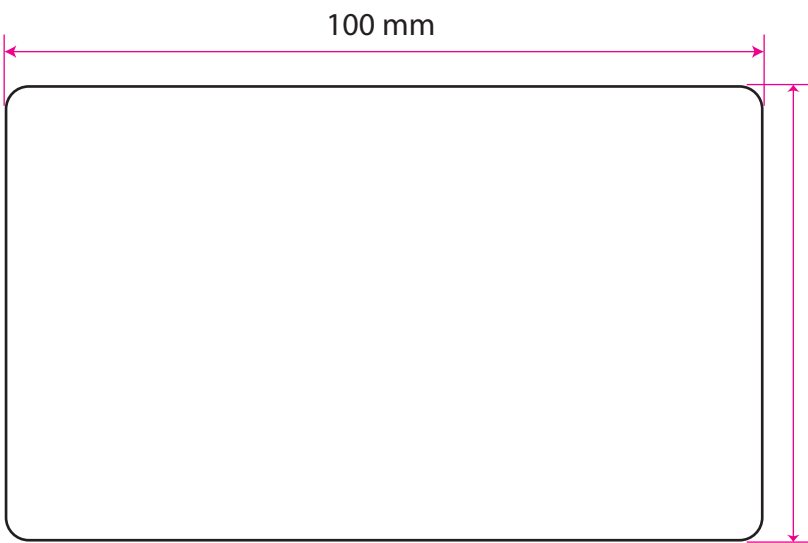
Model 214



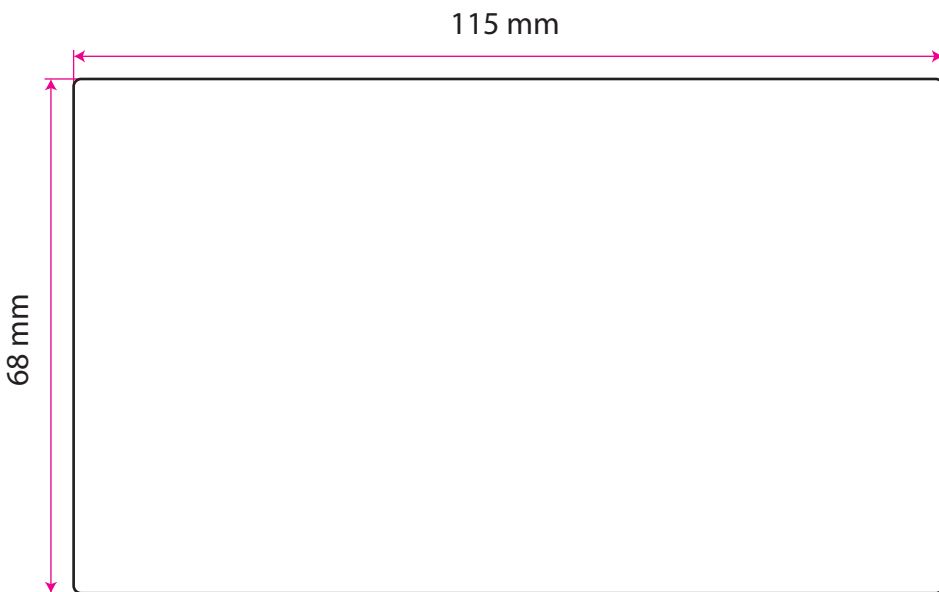
Model 025



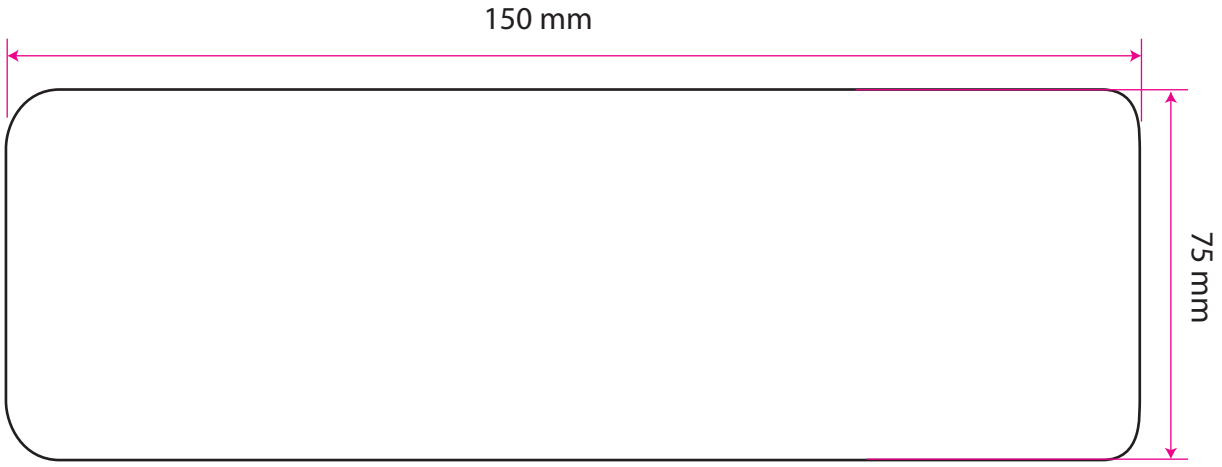
Model 120



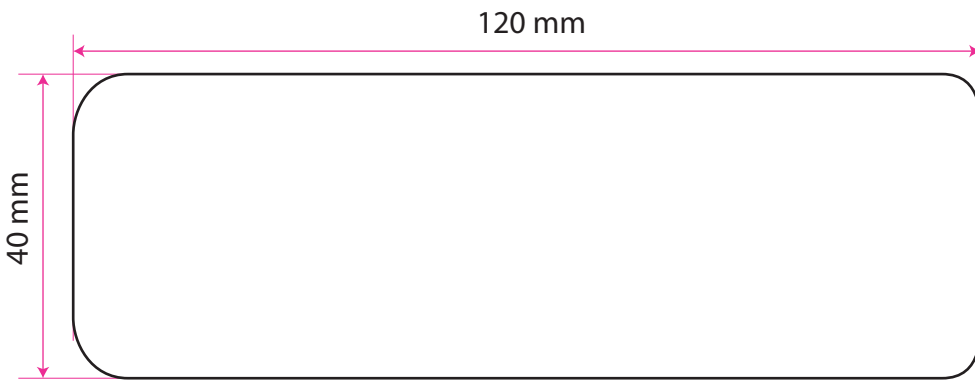
Model 256



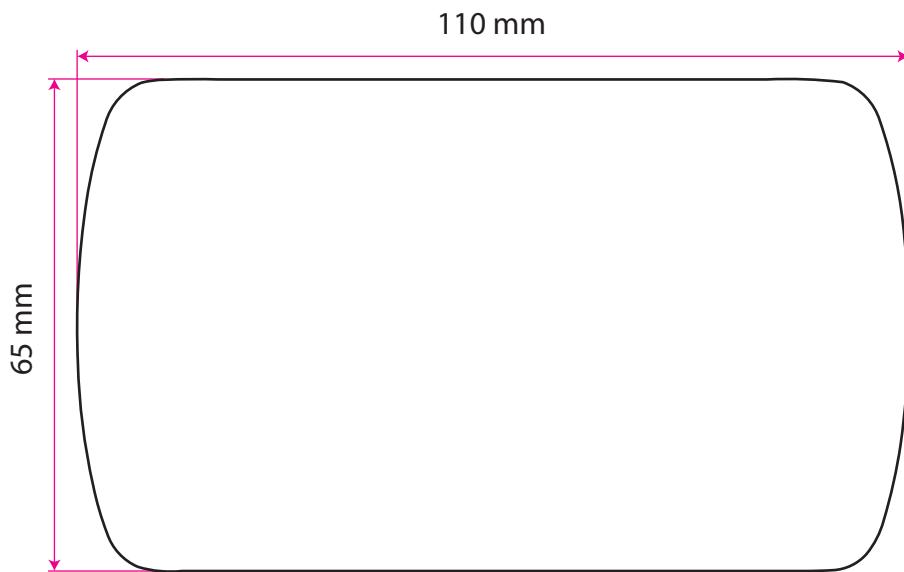
Model 055



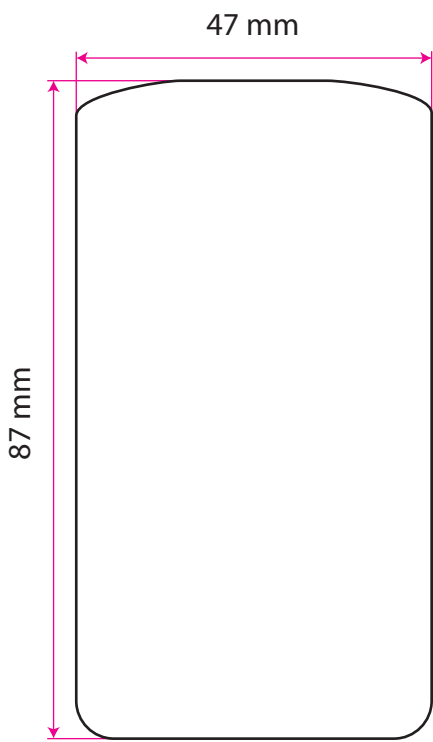
Model 226



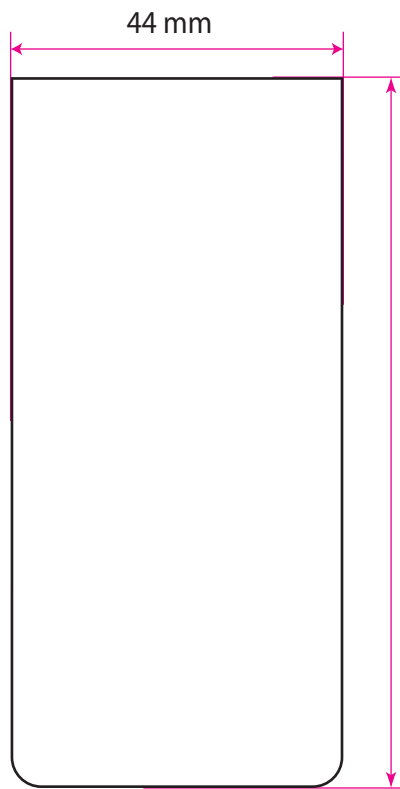
Model 166



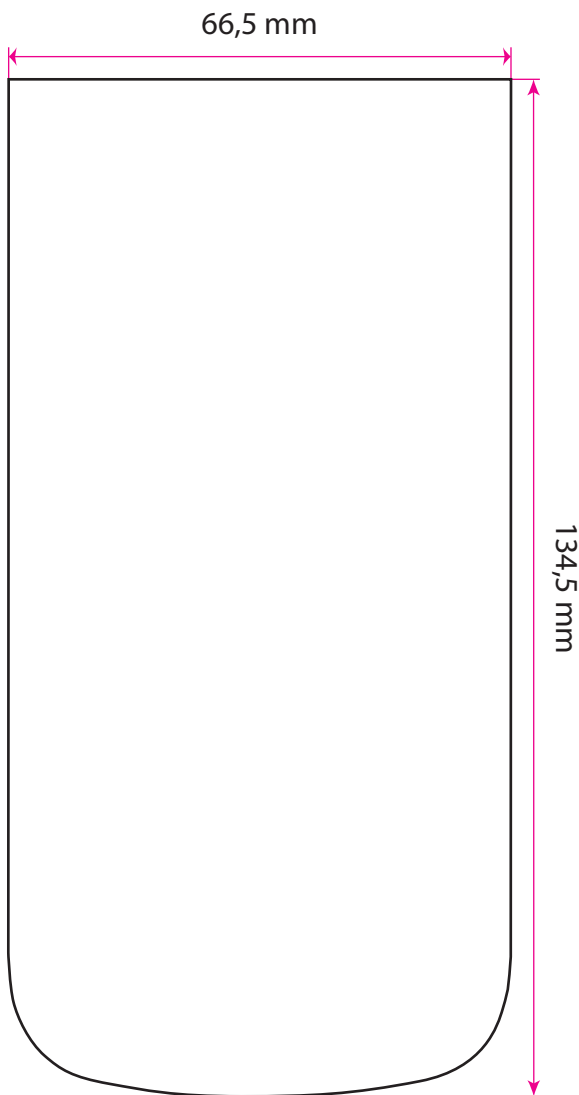
Model 098



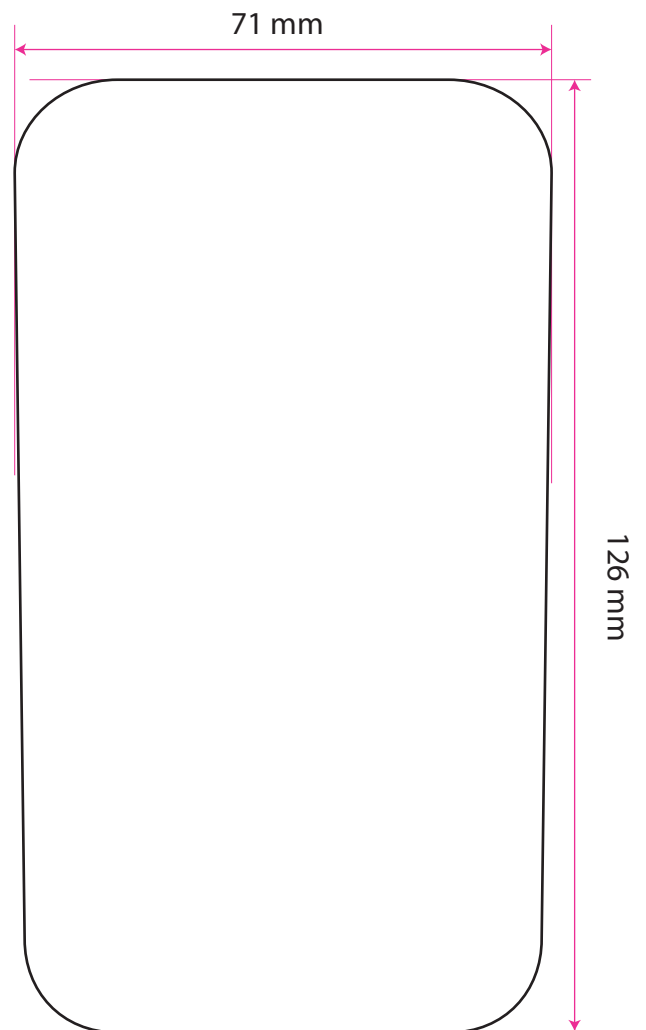
Model 105



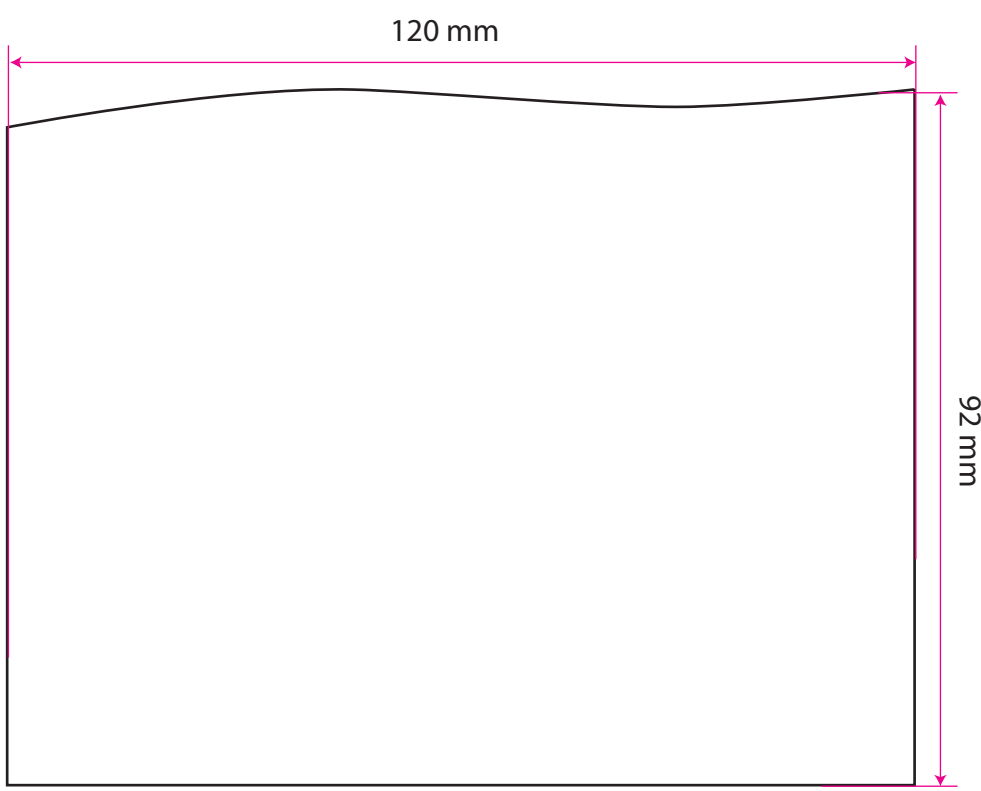
Model 280



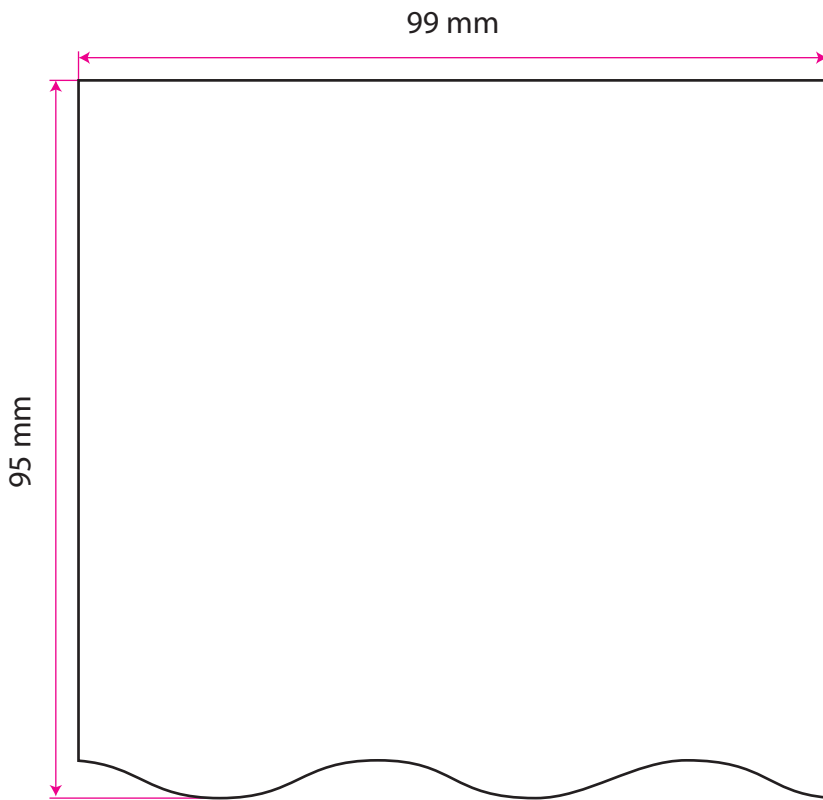
Model 017



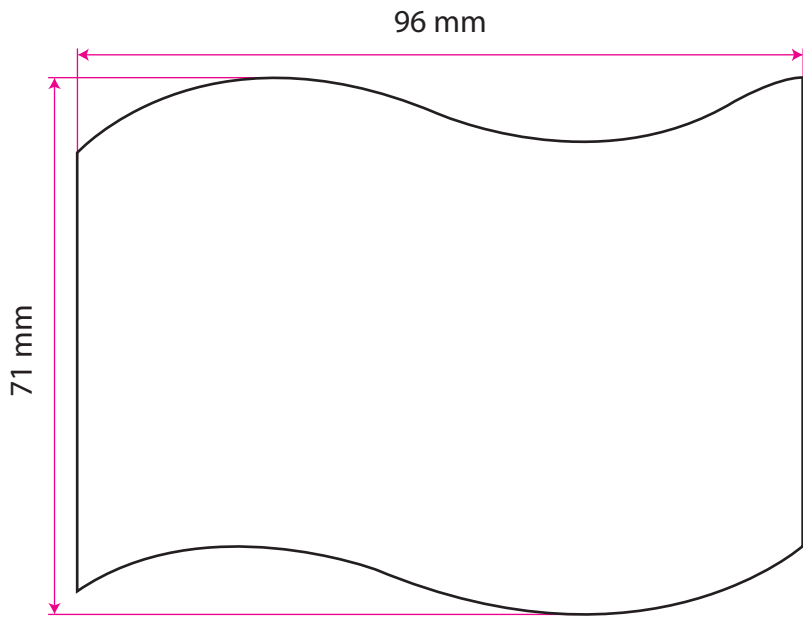
Model 173



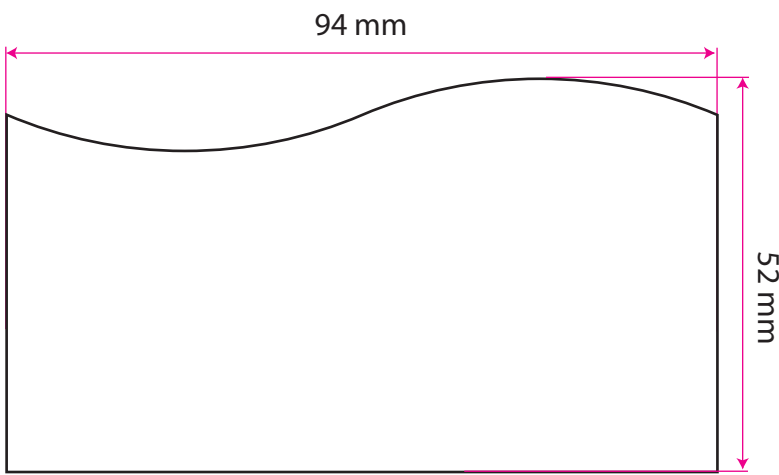
Model 227



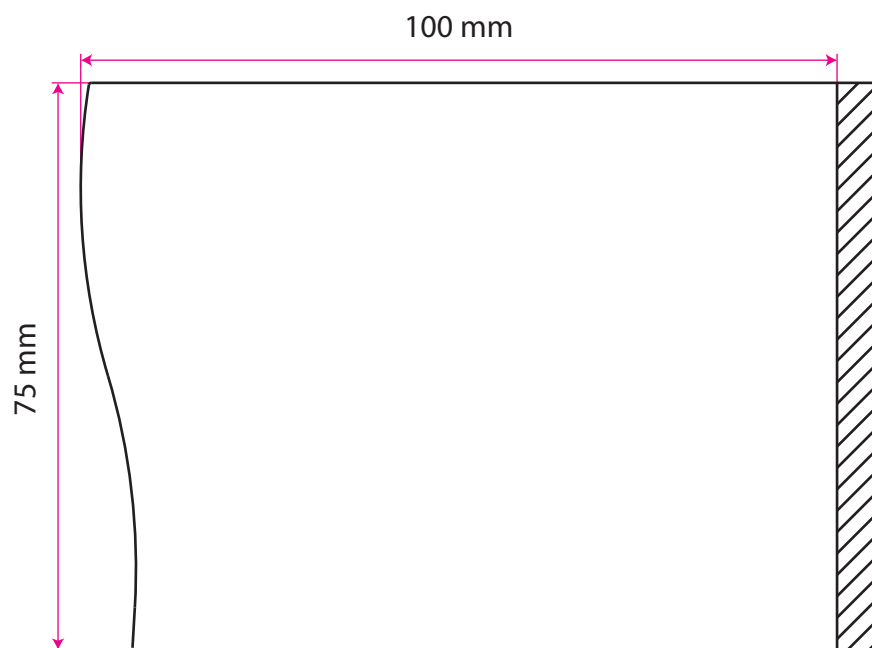
Model 122



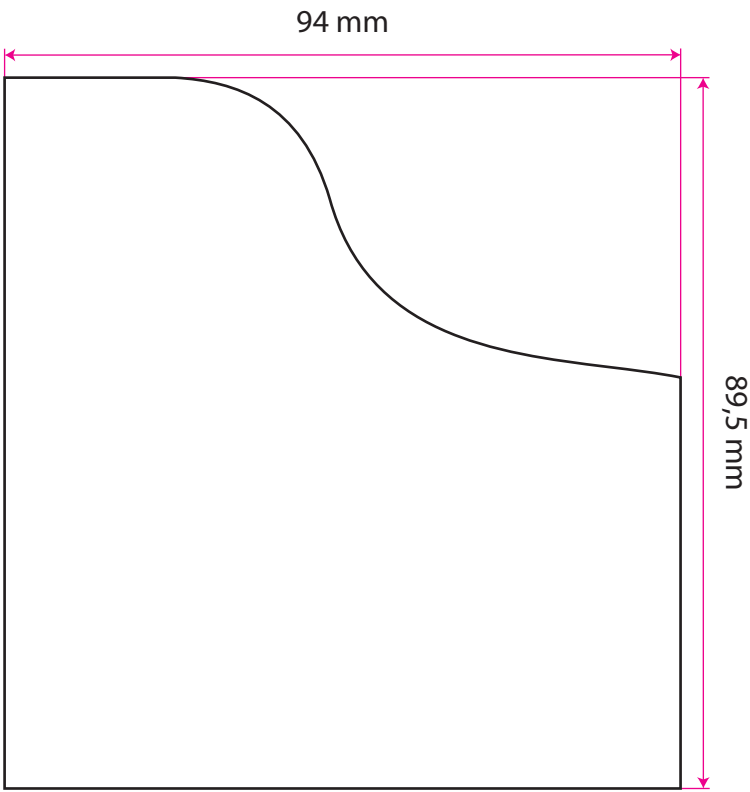
Model 113



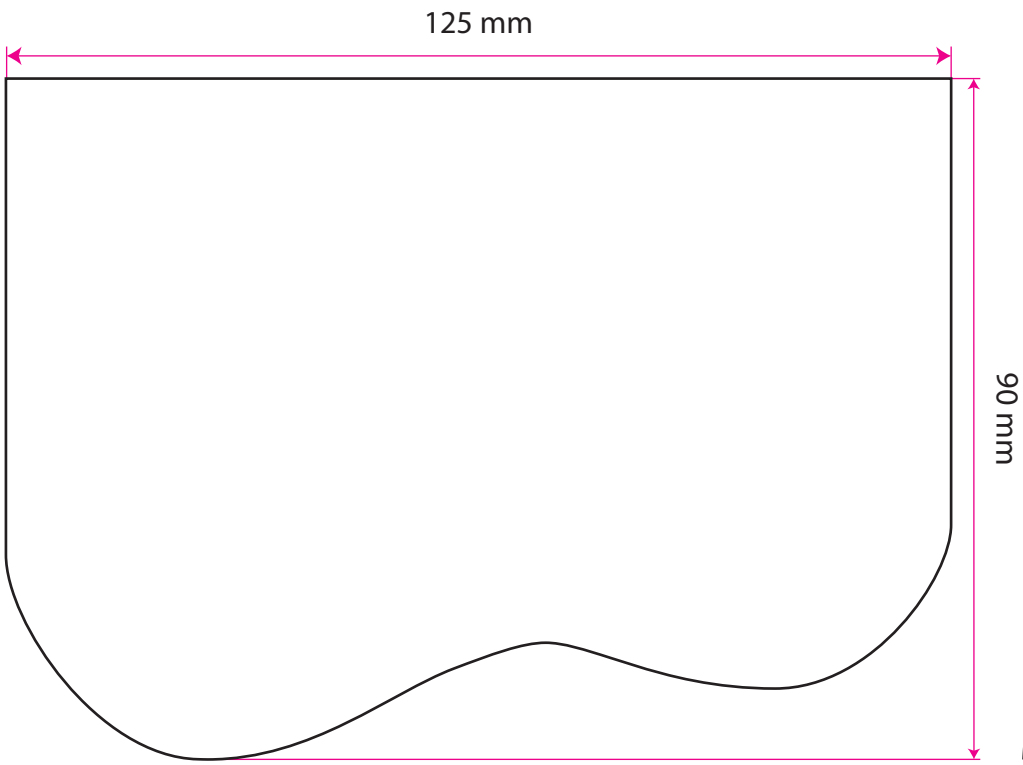
Model 215



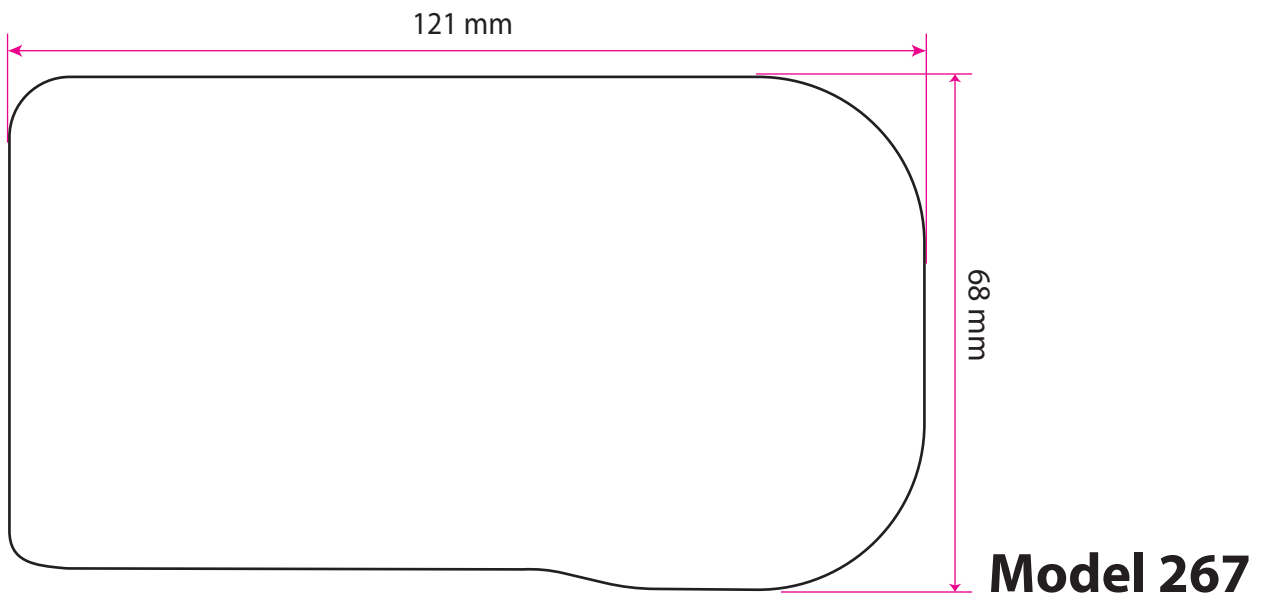
Model 084

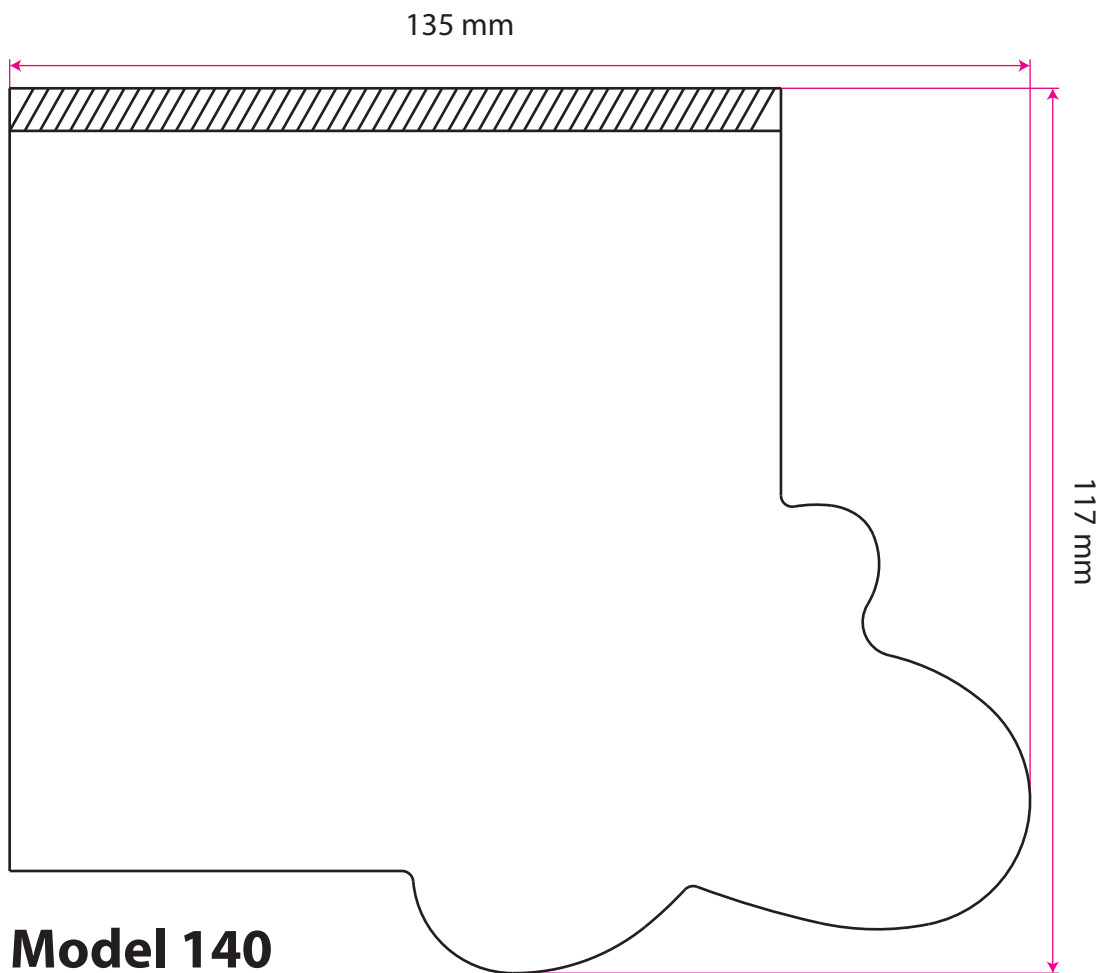
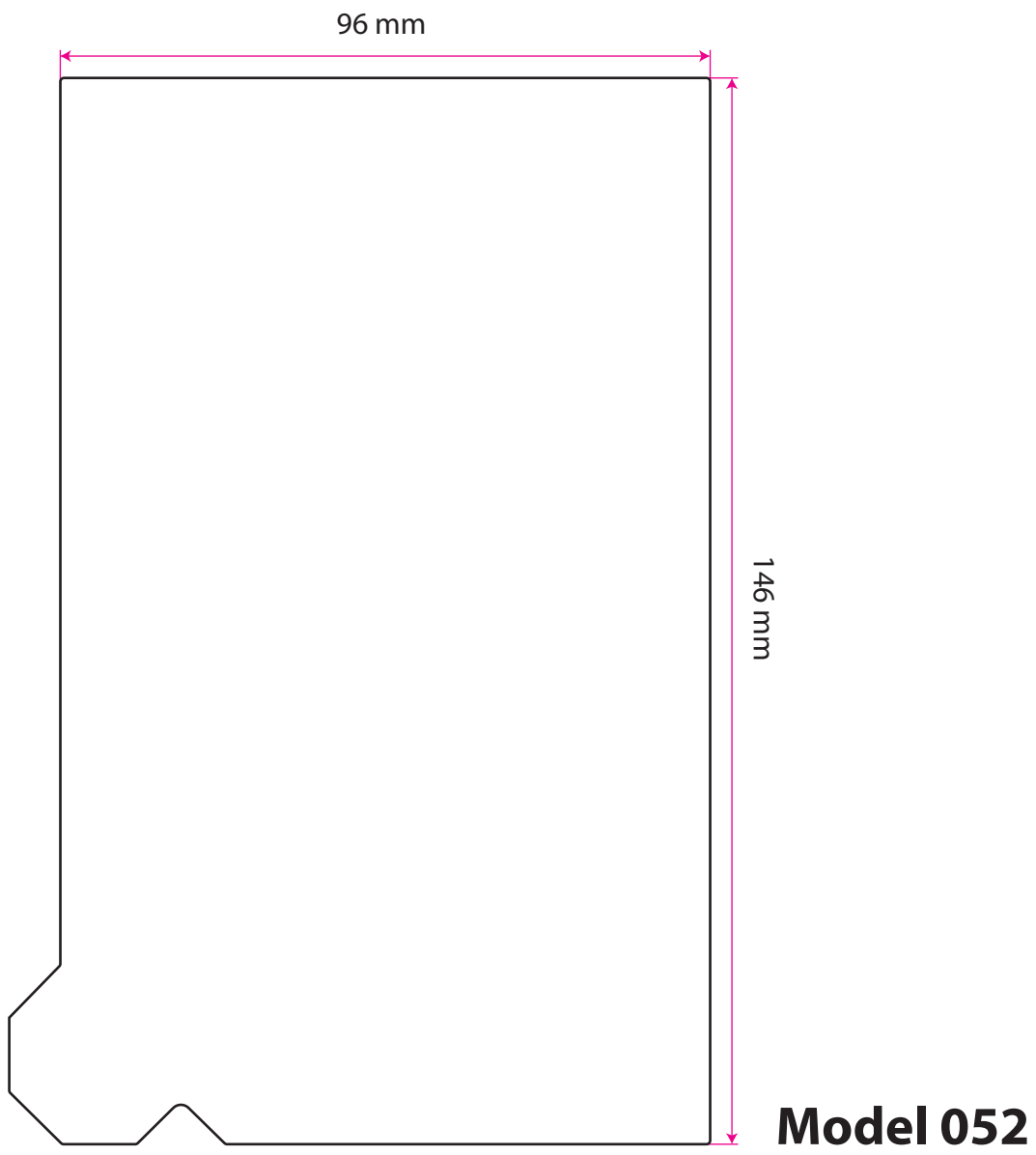


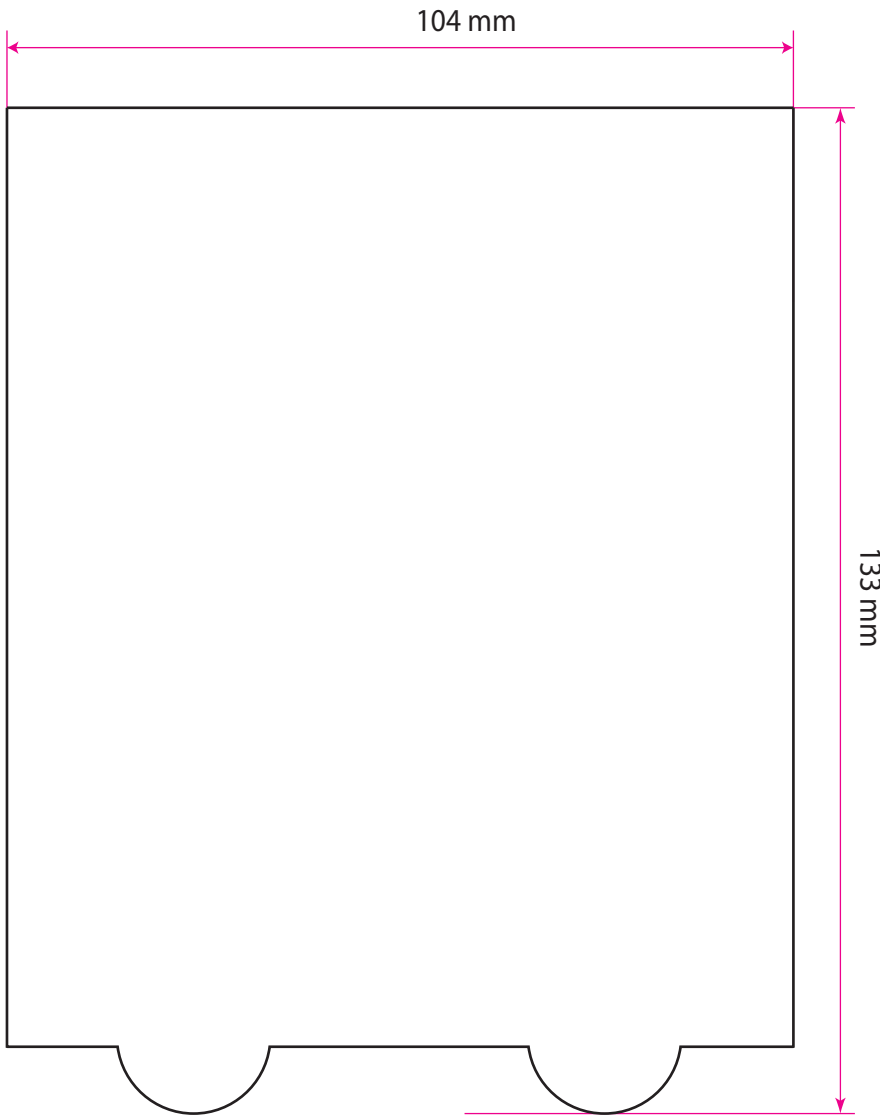
Model 026



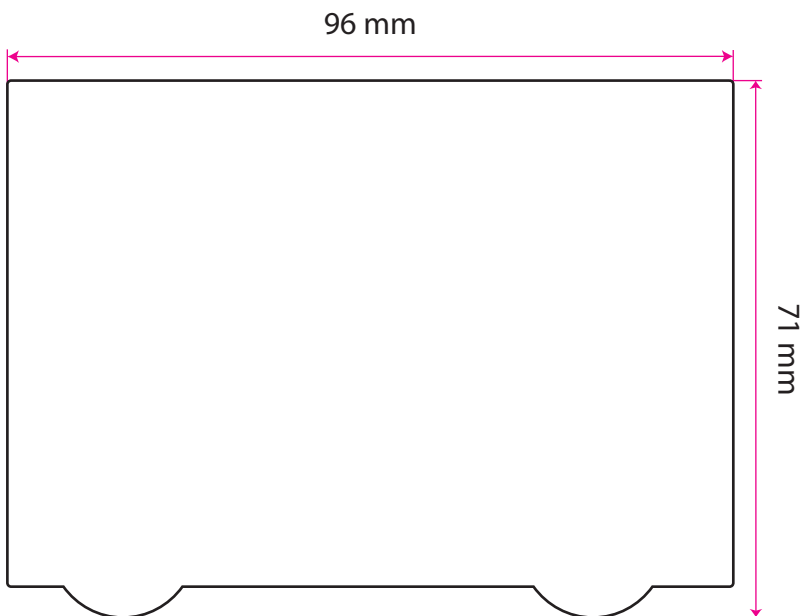
Model 019



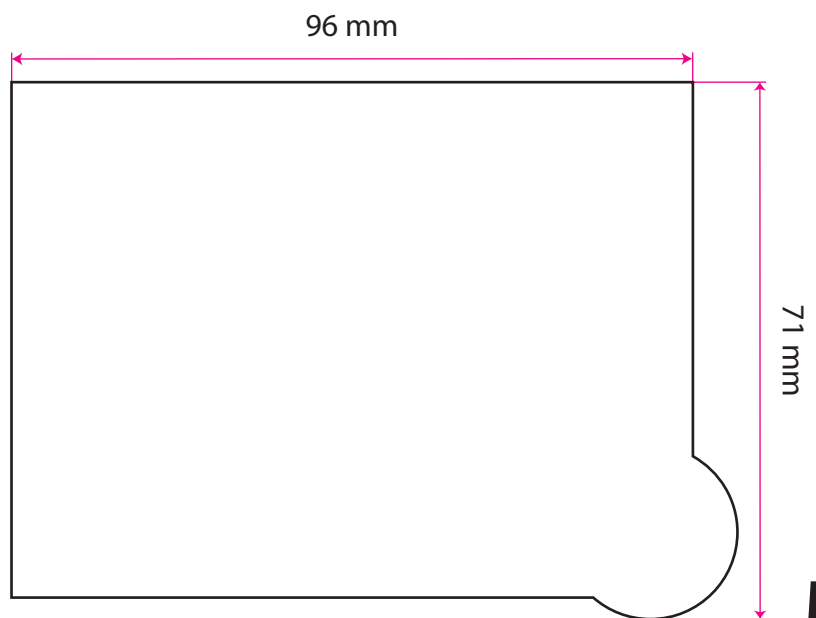
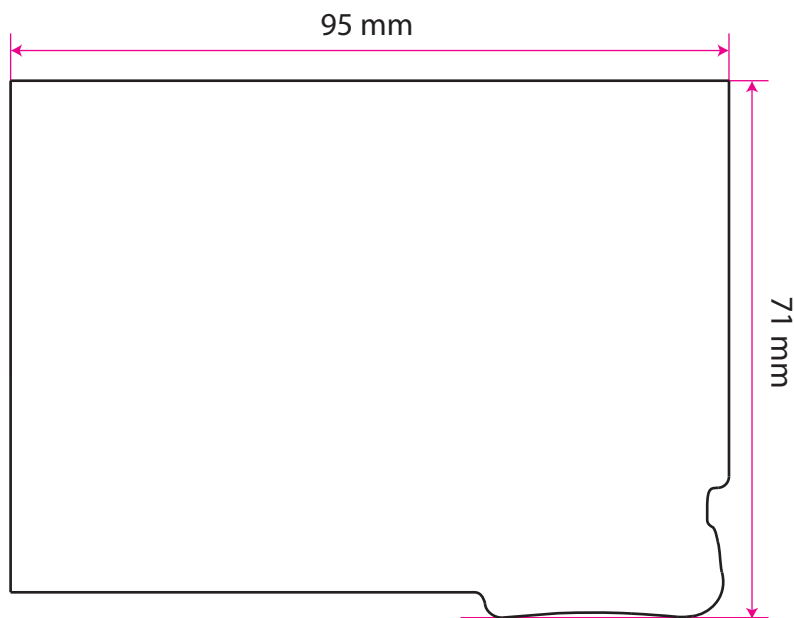


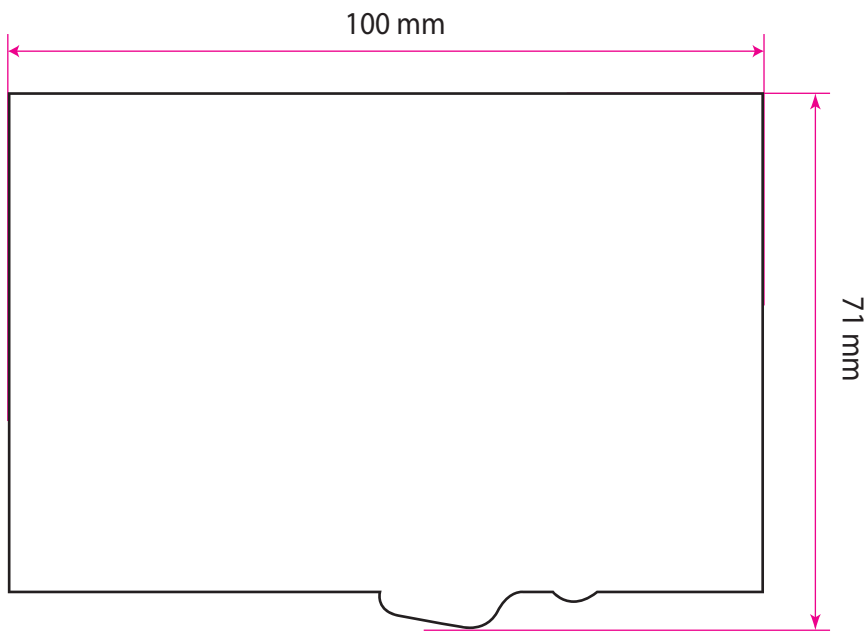


Model 279

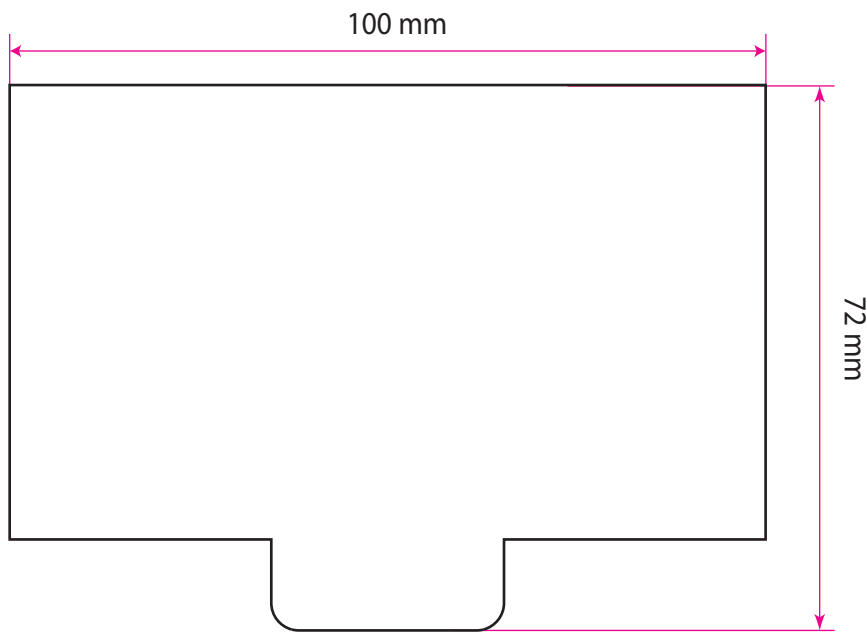


Model 032

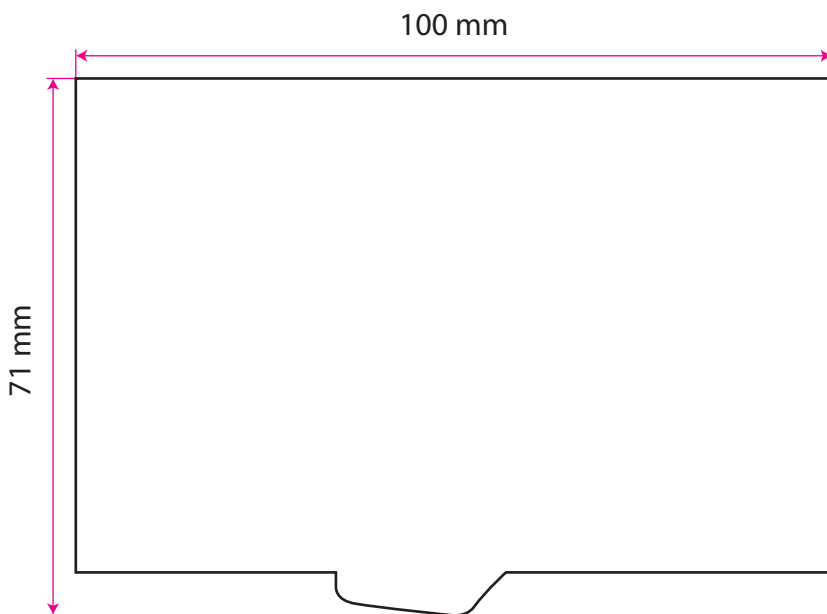




Model 284



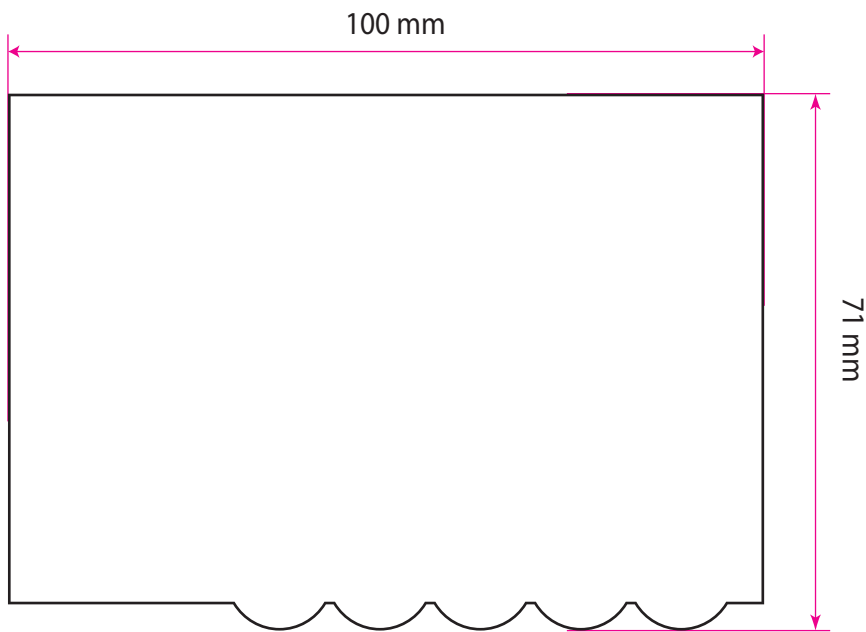
Model 285



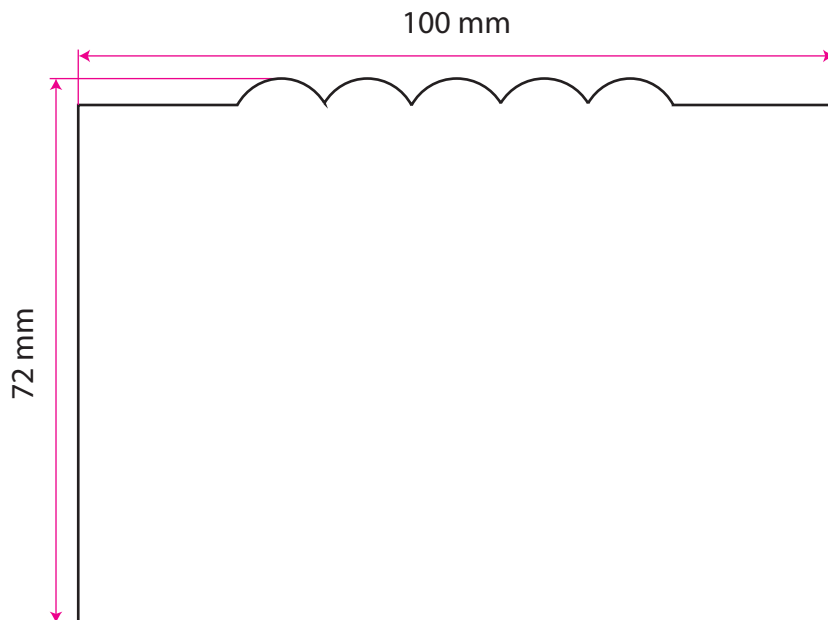
Model 118



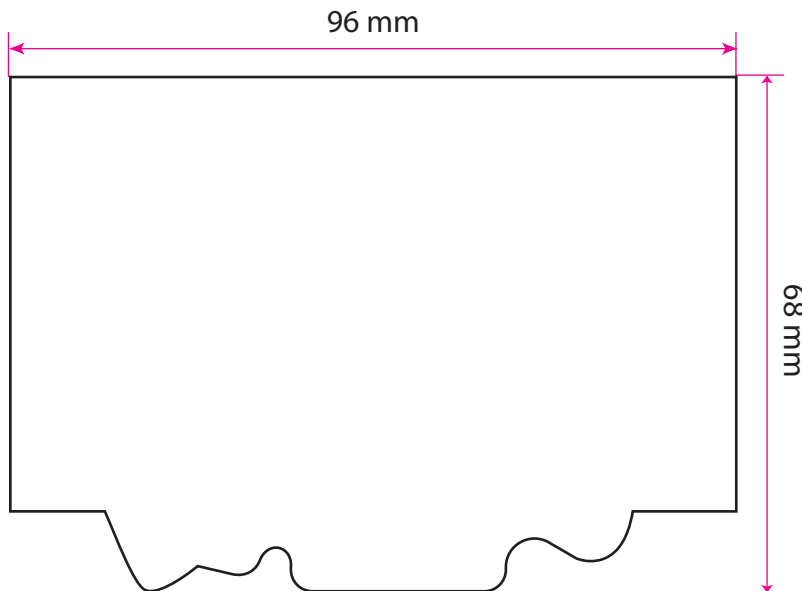
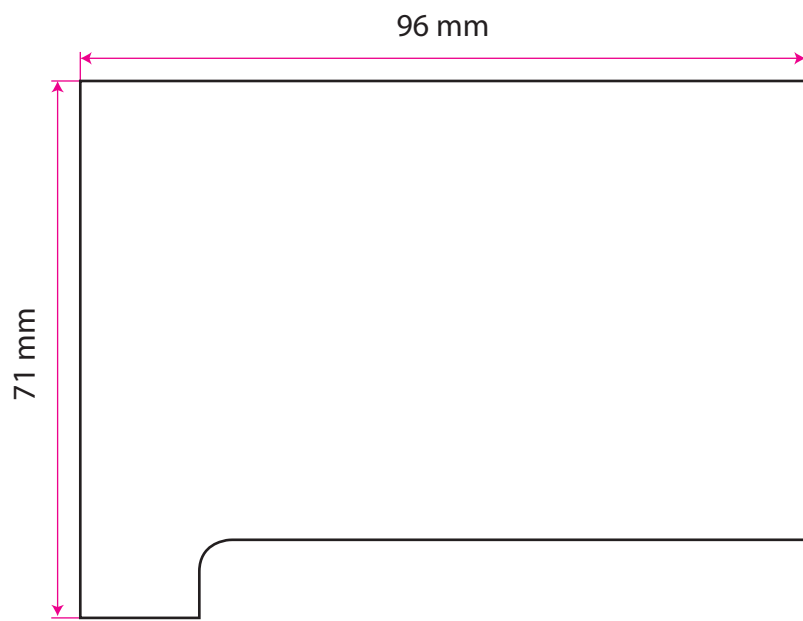
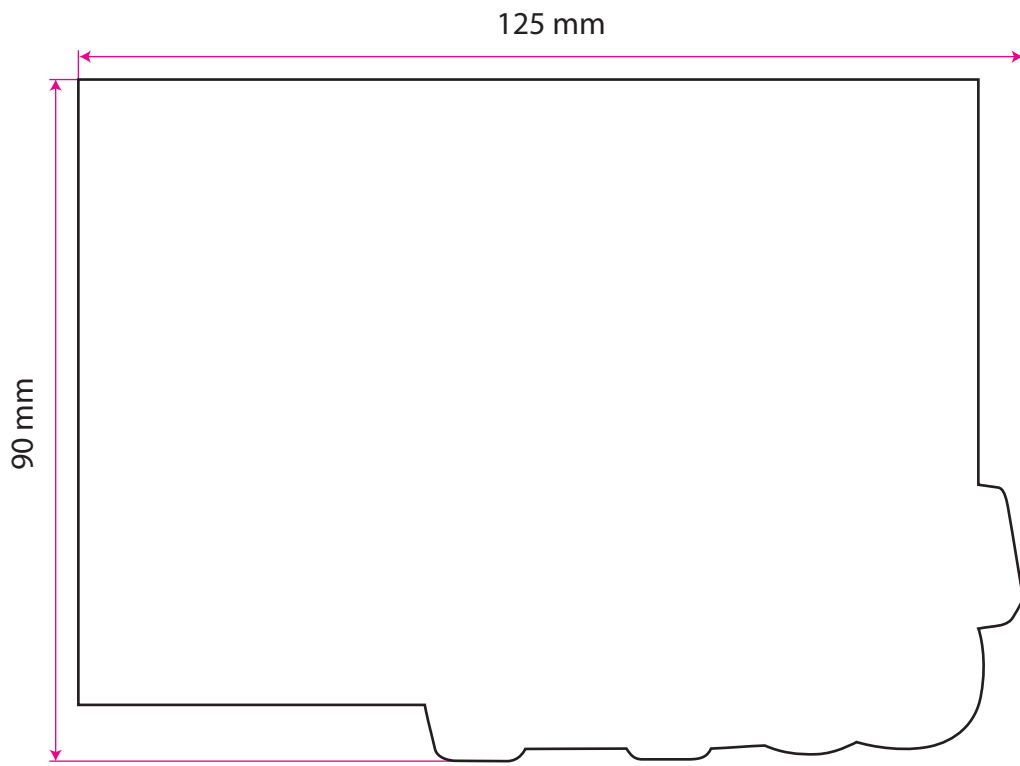
Model 148

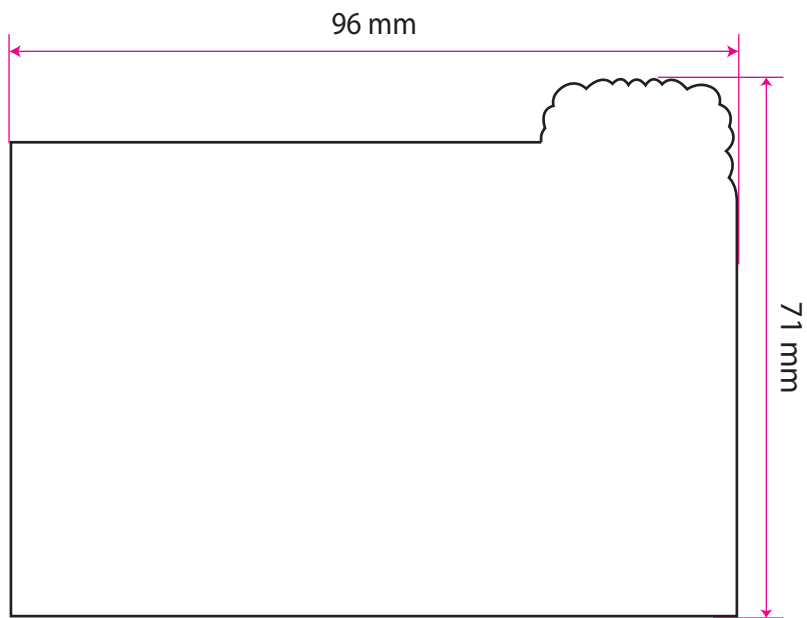


Model 283

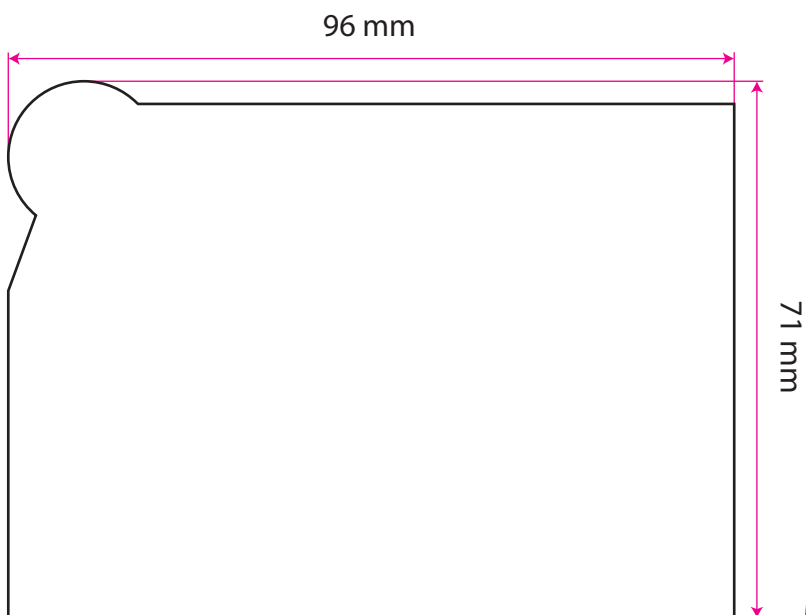


Model 072

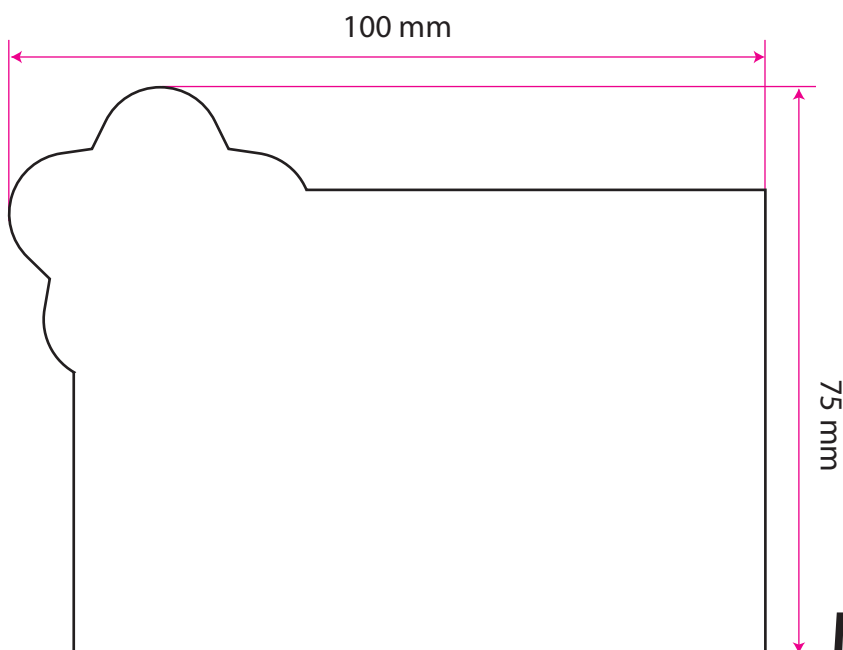




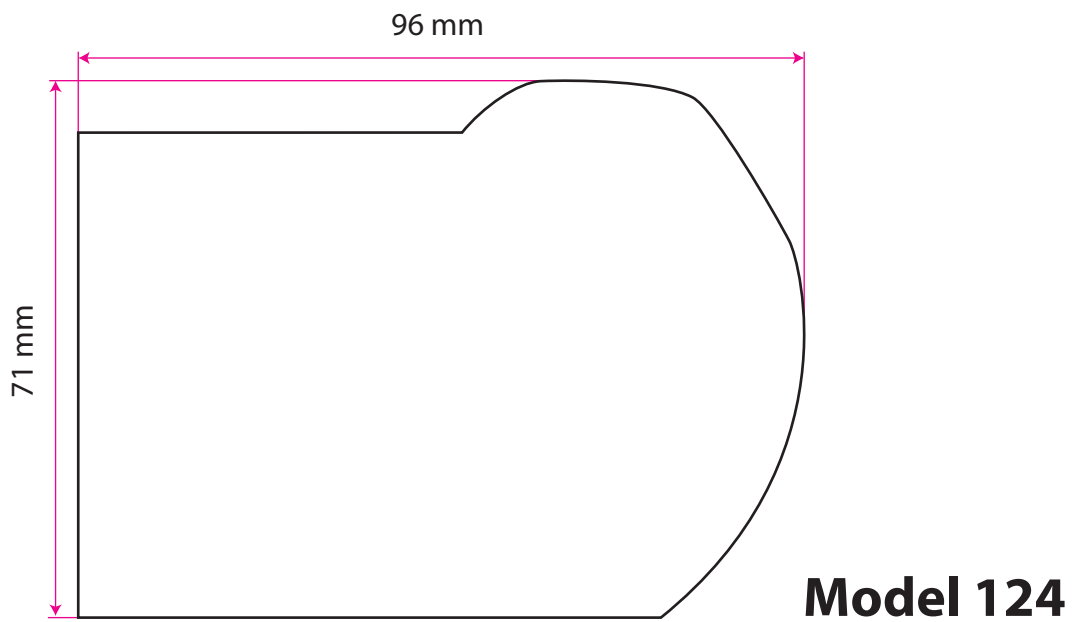
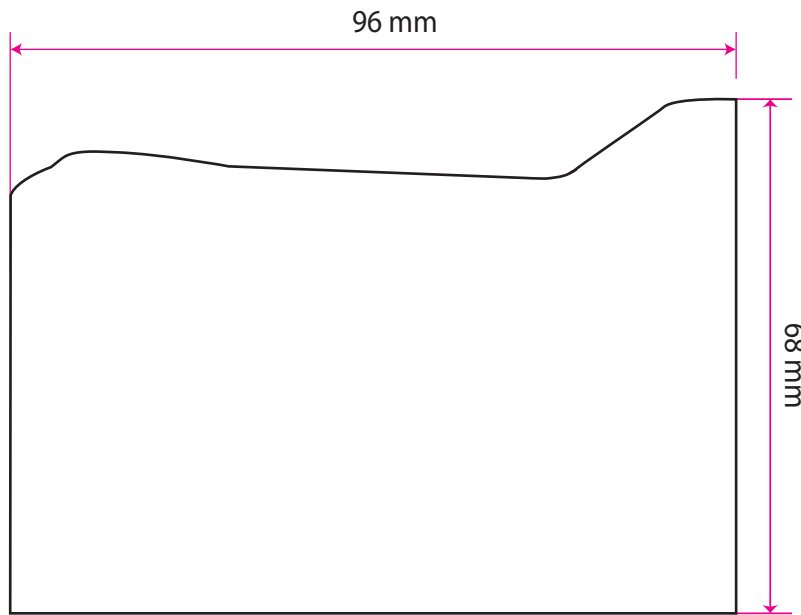
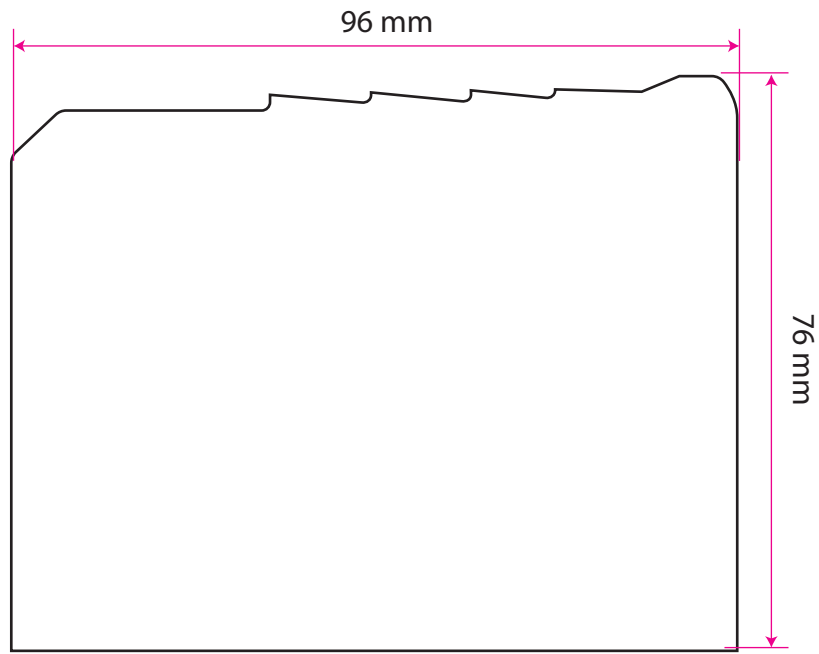
Model 268

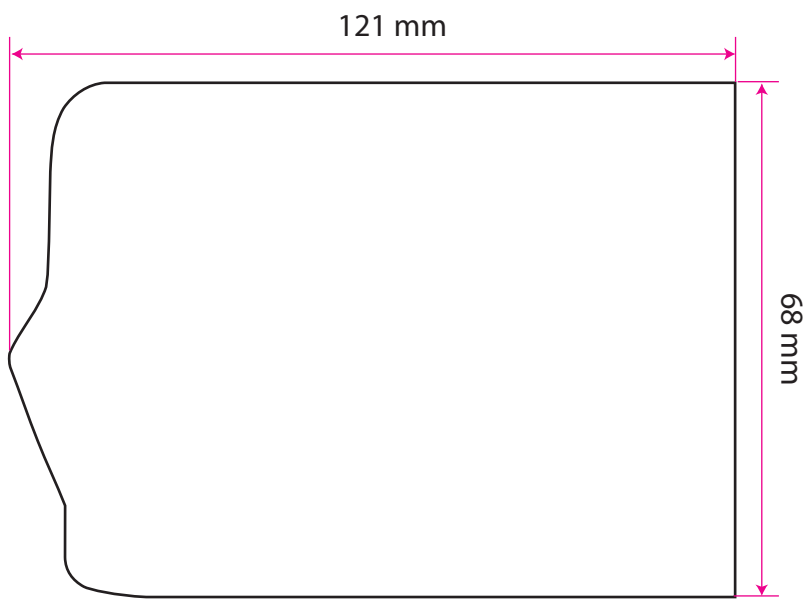
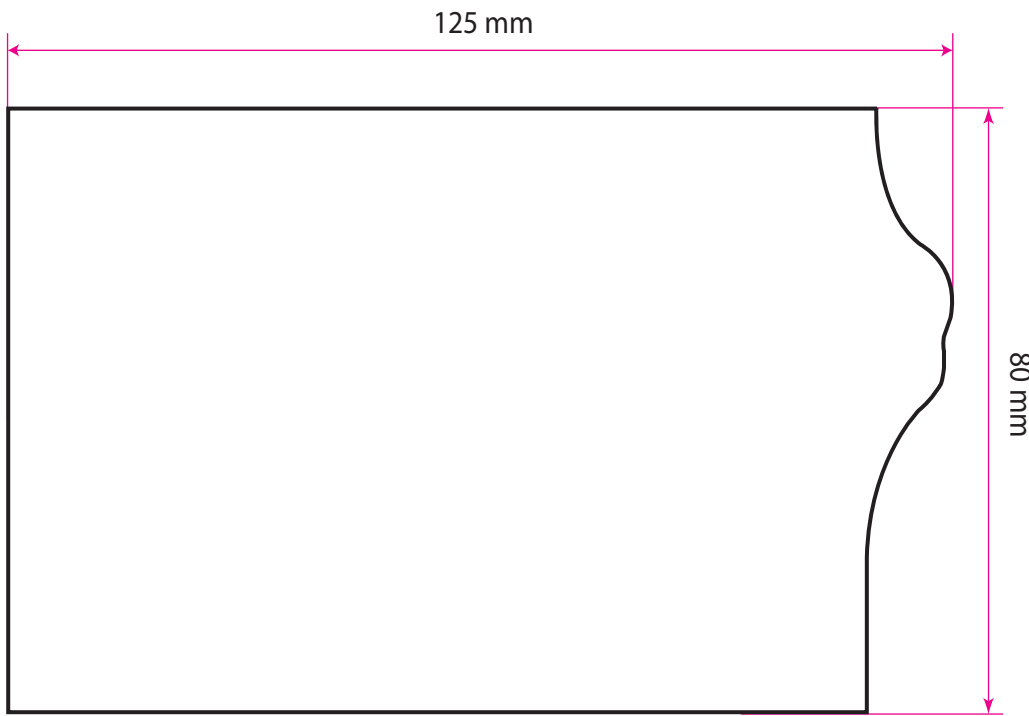
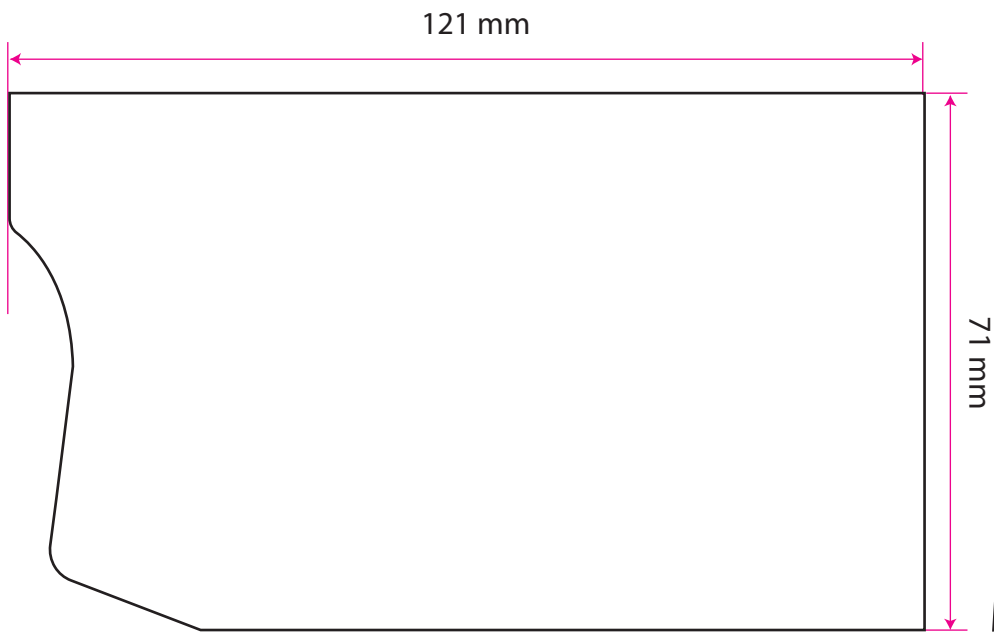


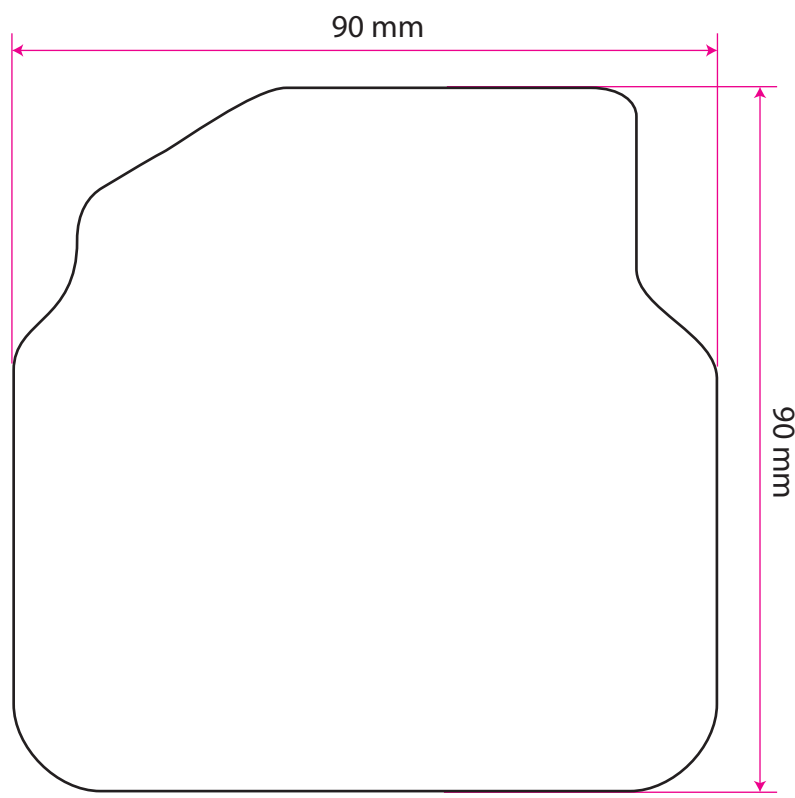
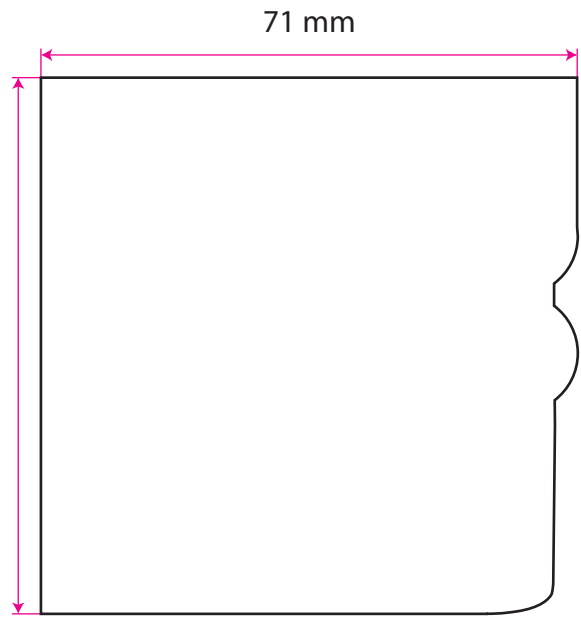
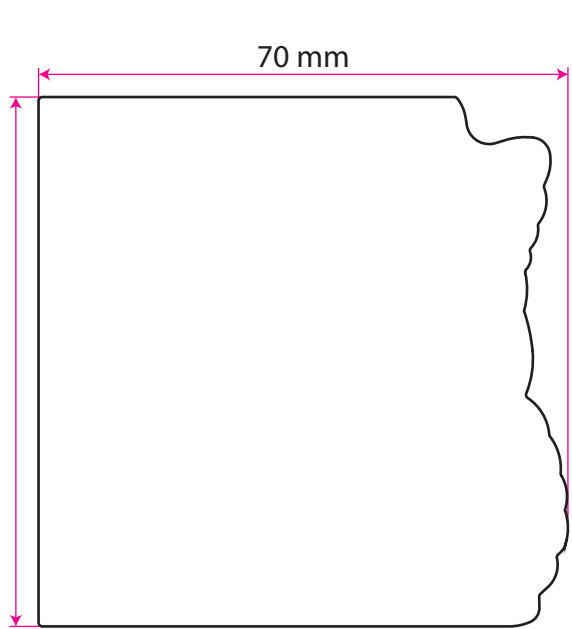
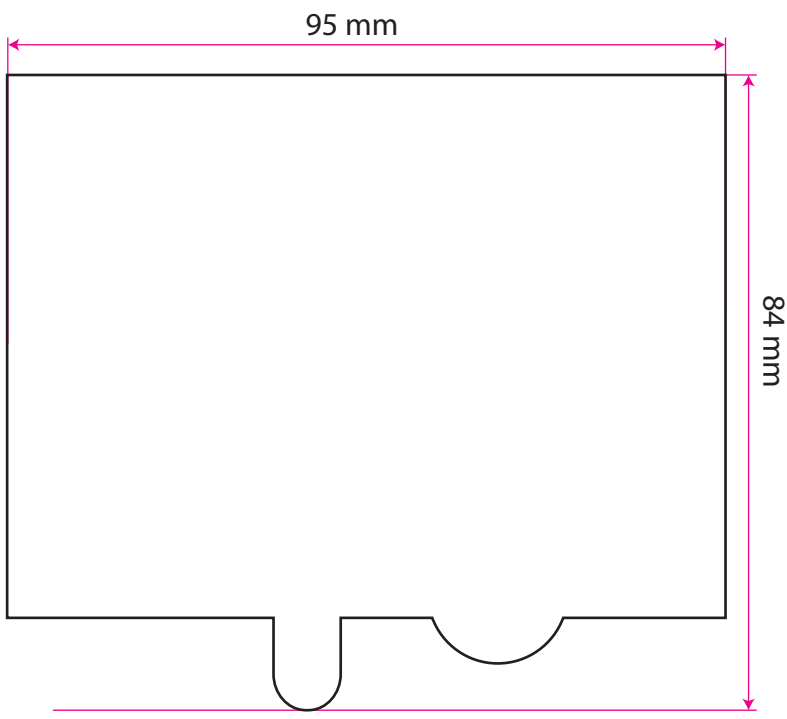
Model 044



Model 205

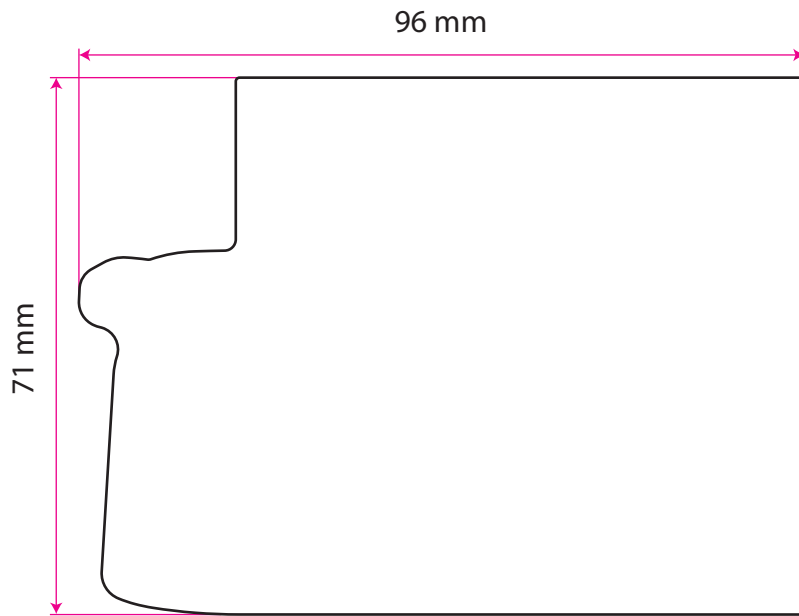




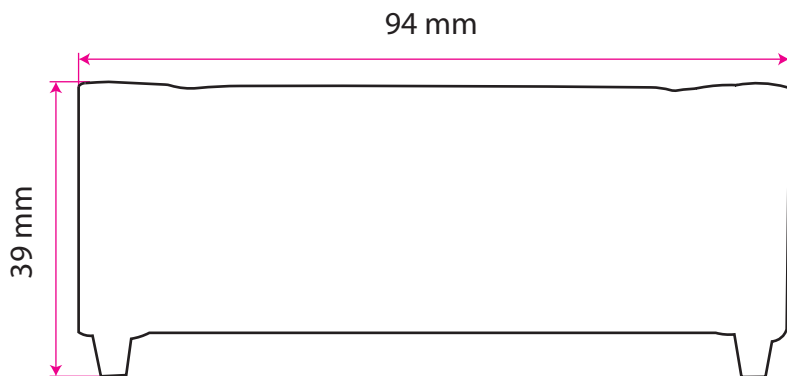




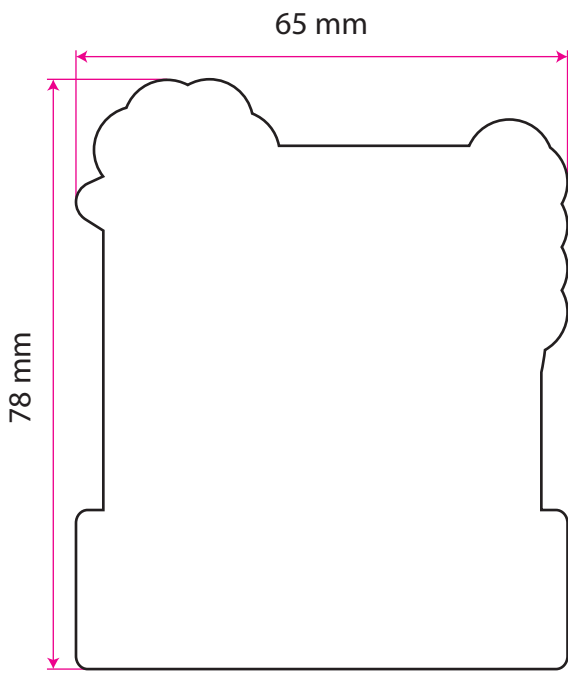
Model 108



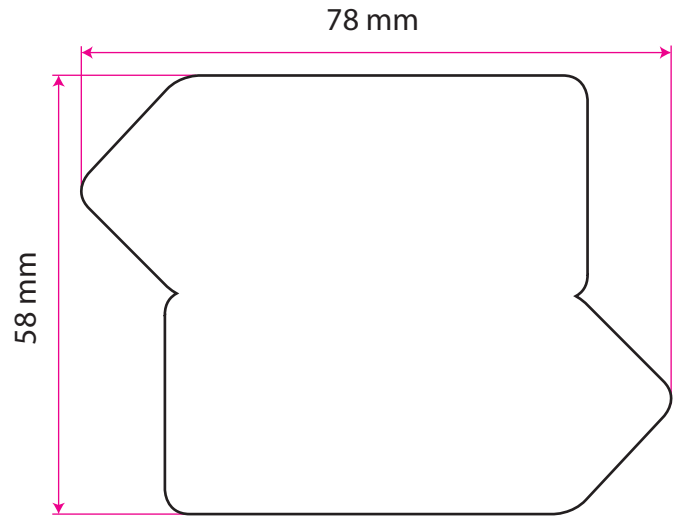
Model 121



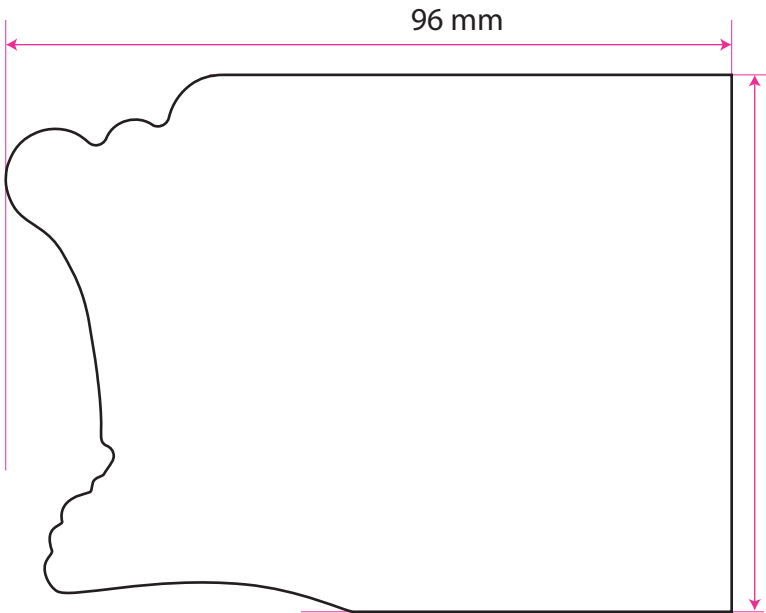
Model 110



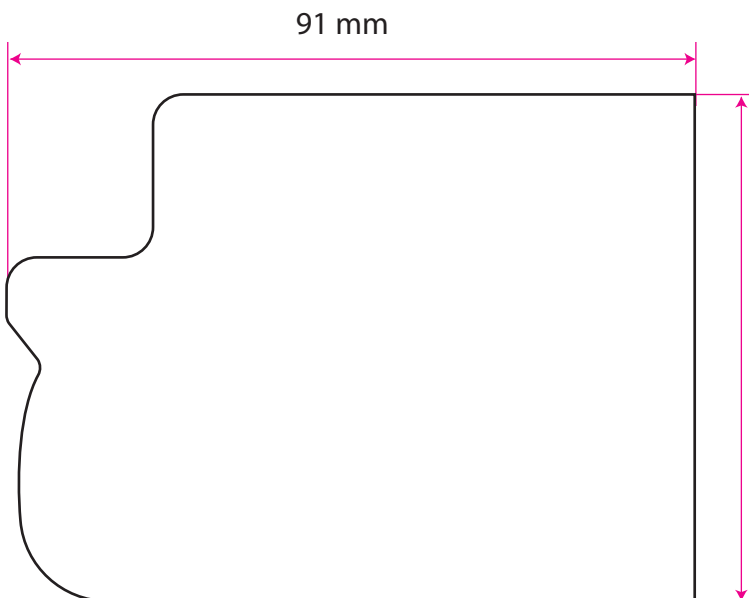
Model 085



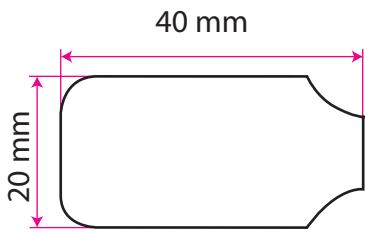
Model 078



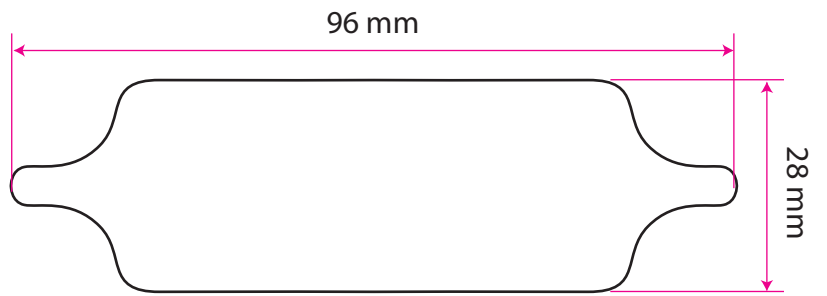
Model 175



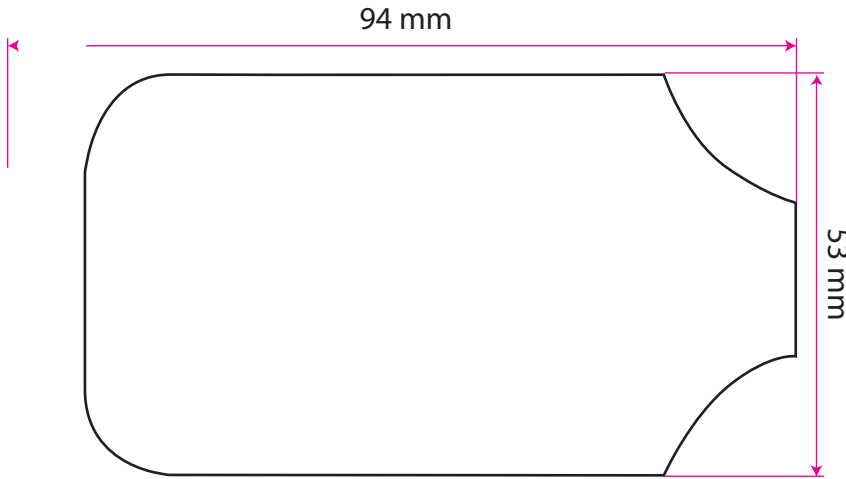
Model 219



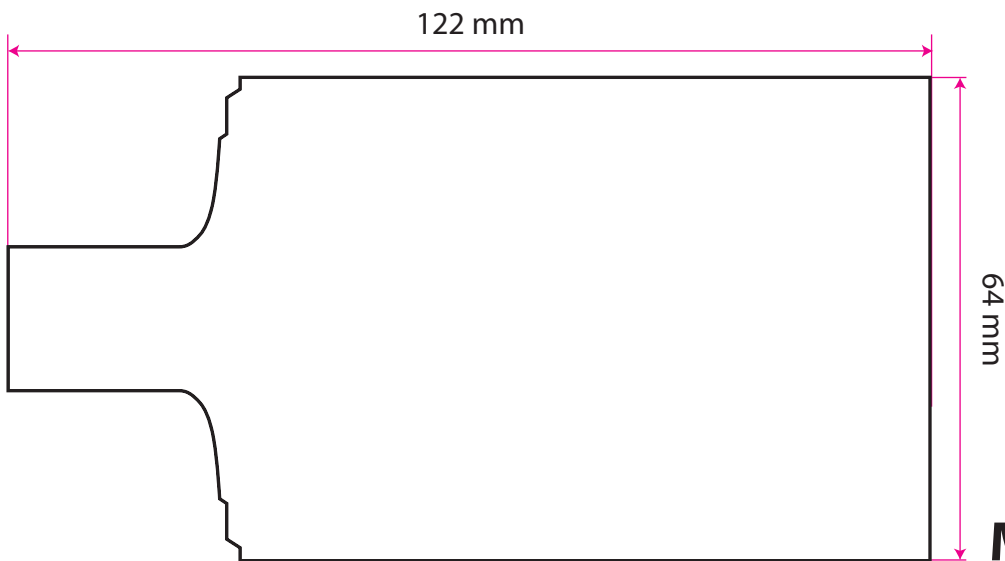
Model 150



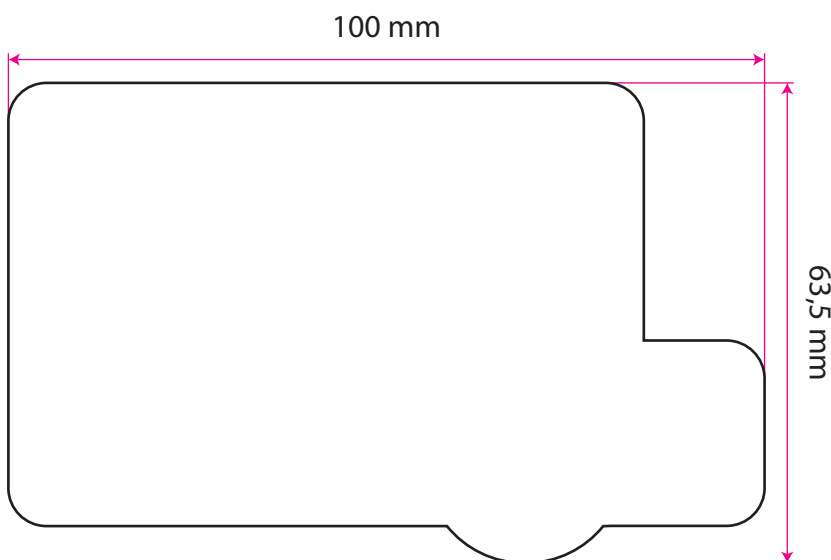
Model 209



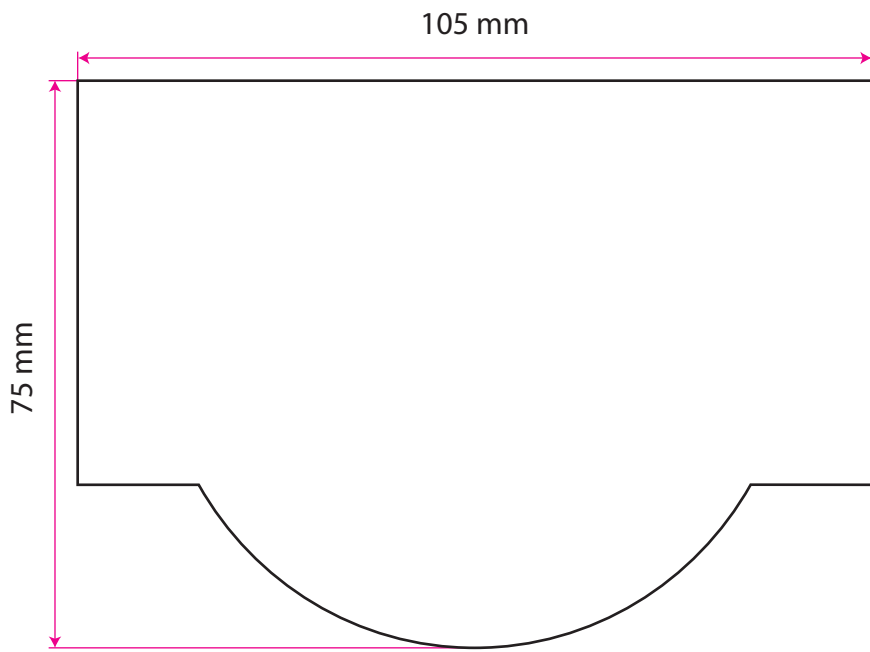
Model 151



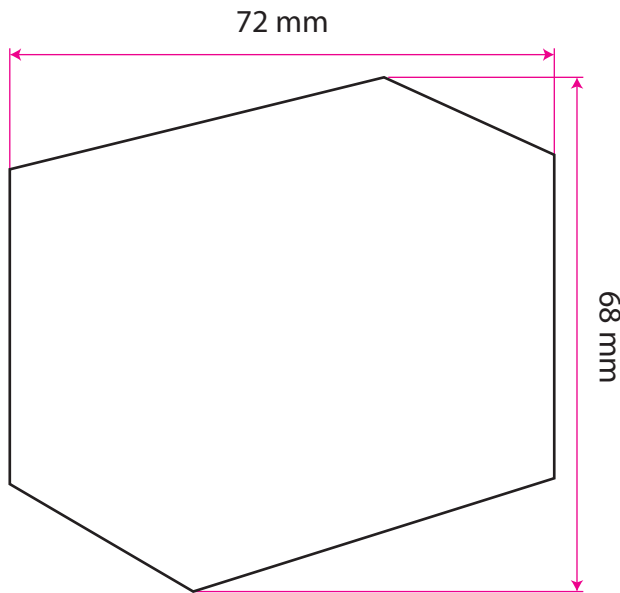
Model 146



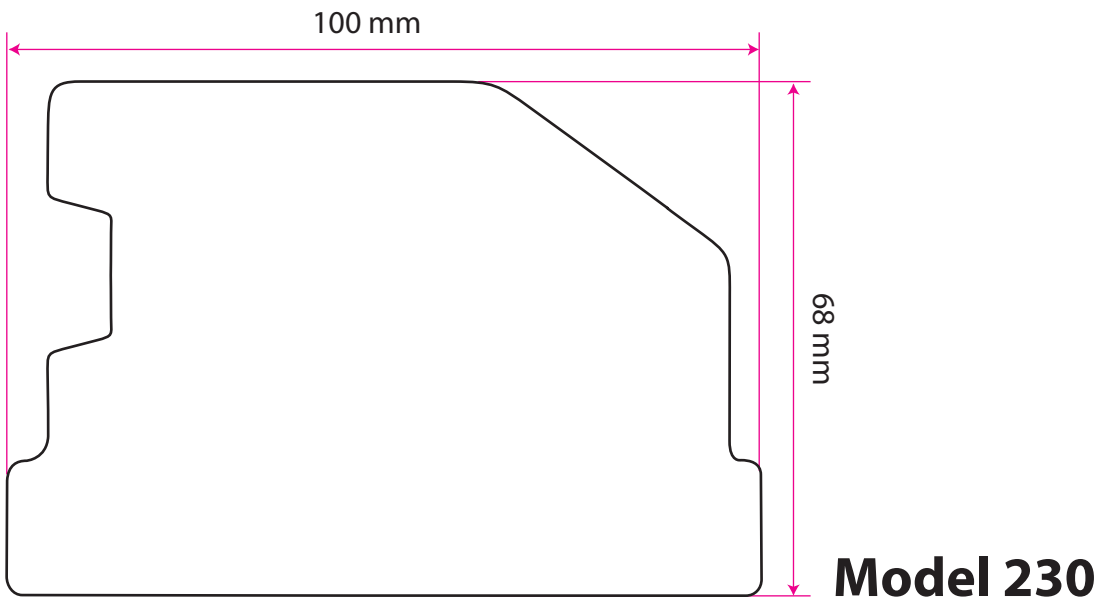
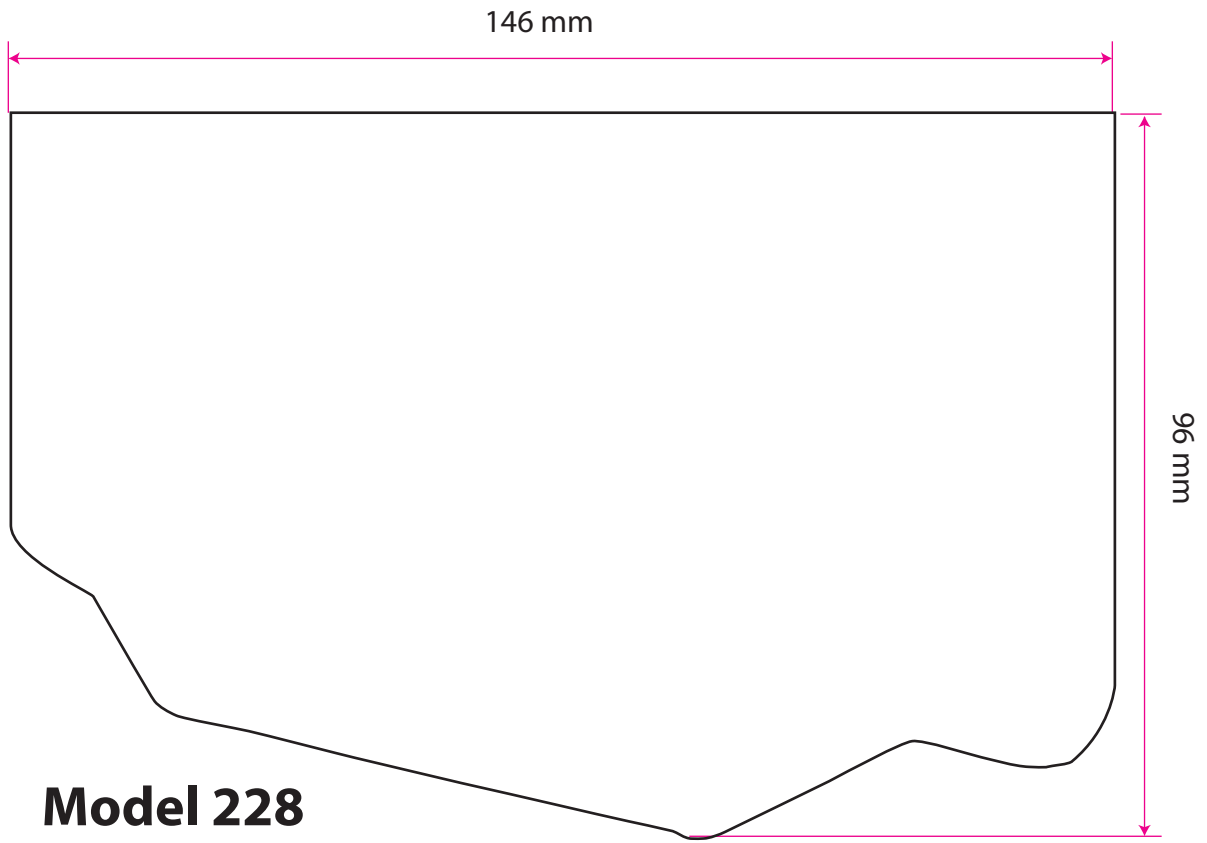
Model 142

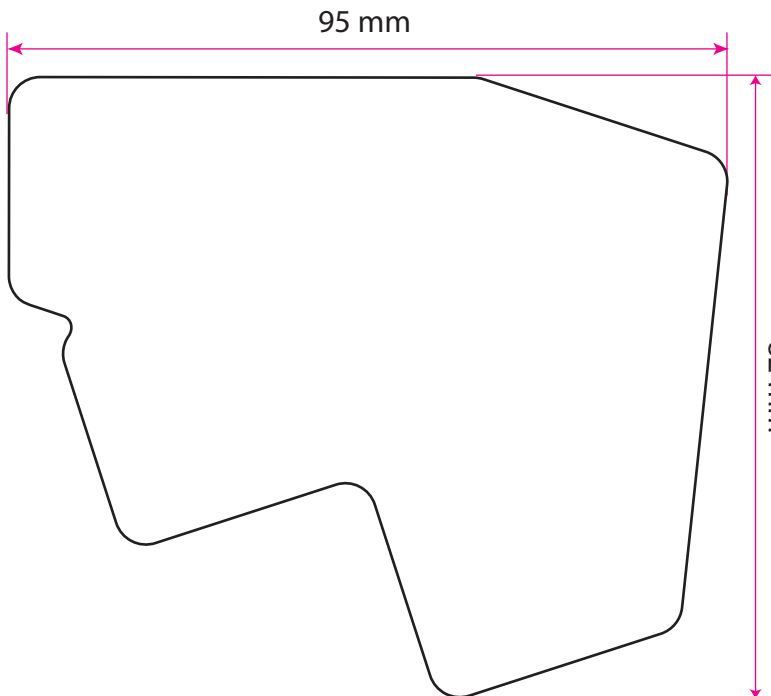


Model 099

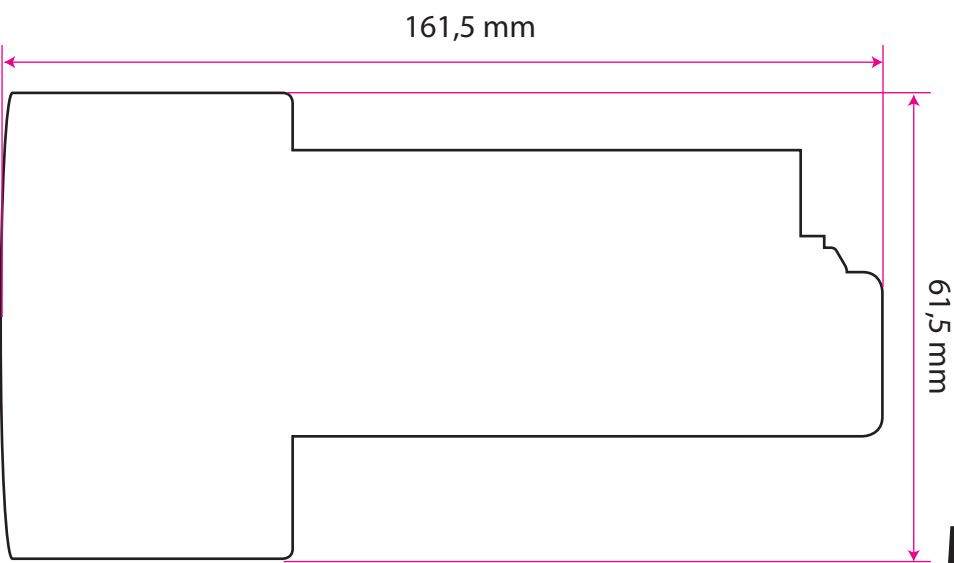


Model 130





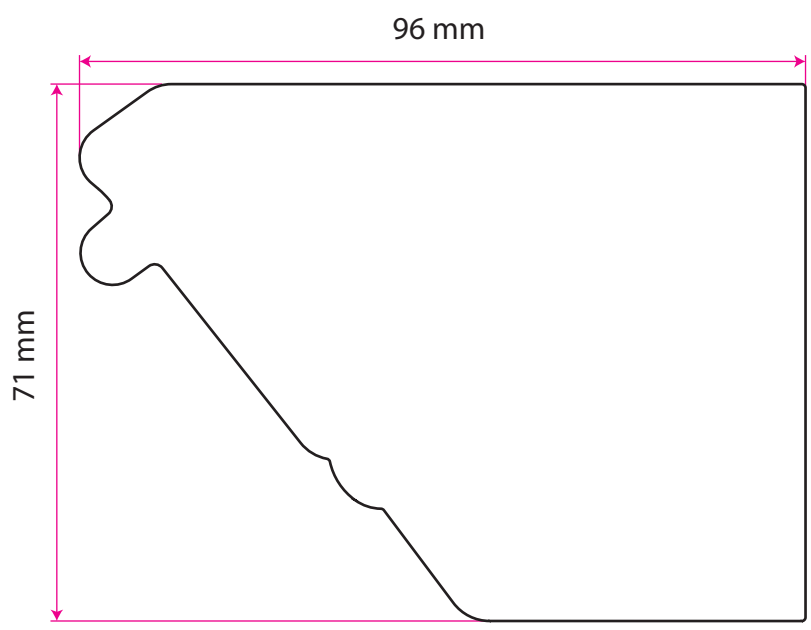
Model 257



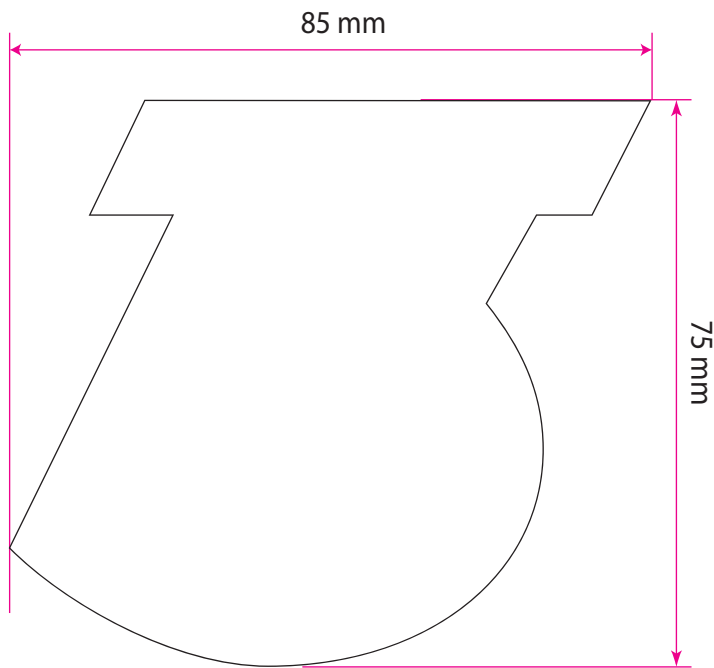
Model 202



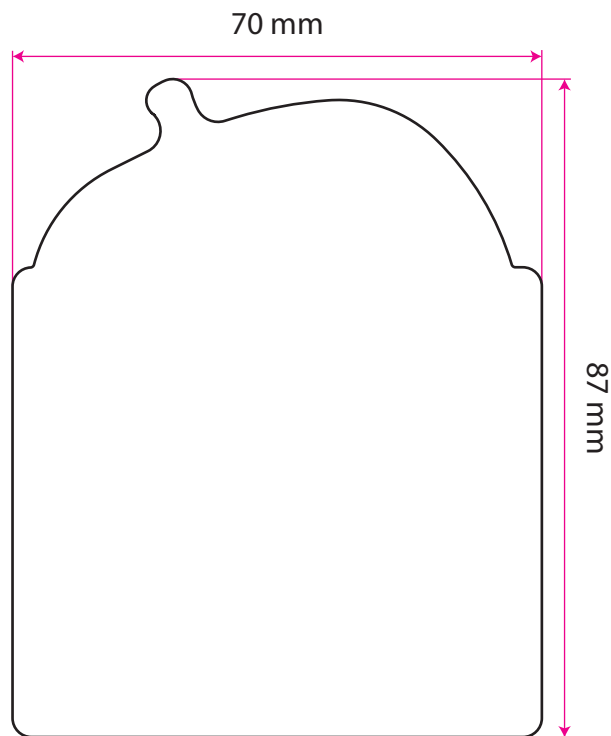
Model 238



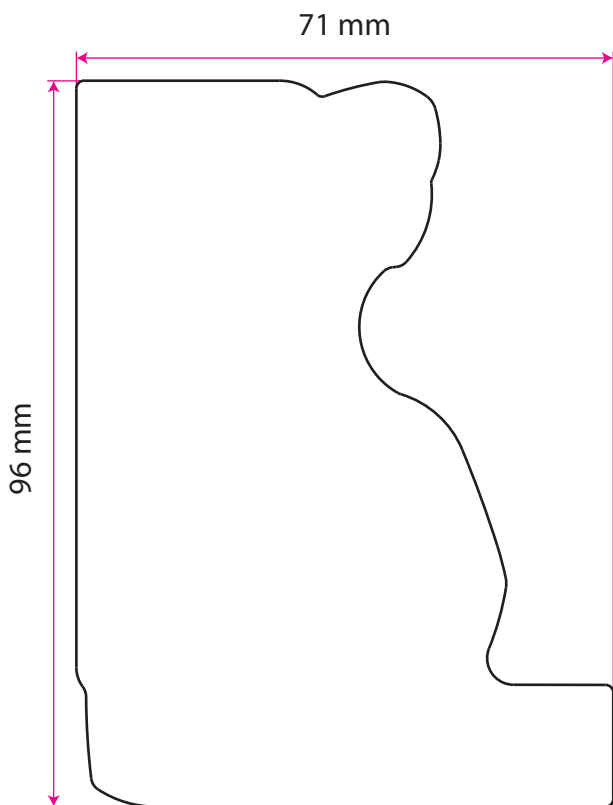
Model 070



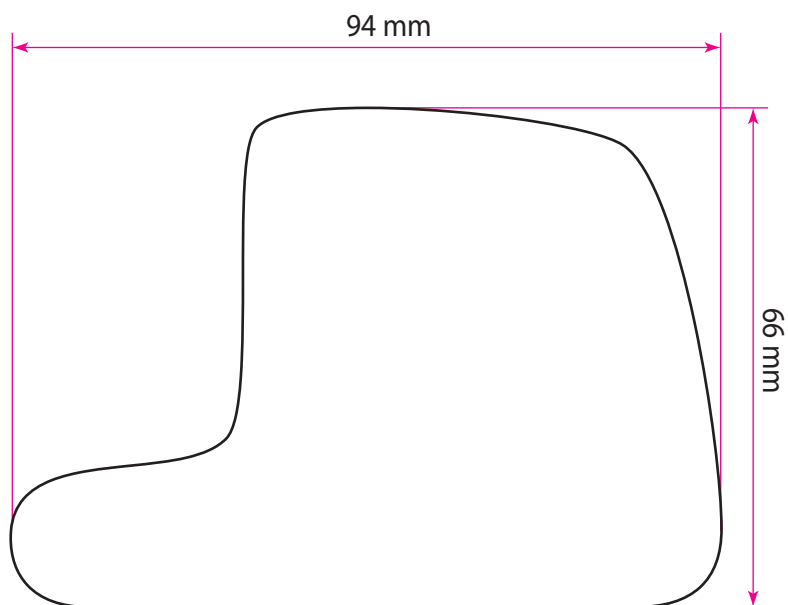
Model 294



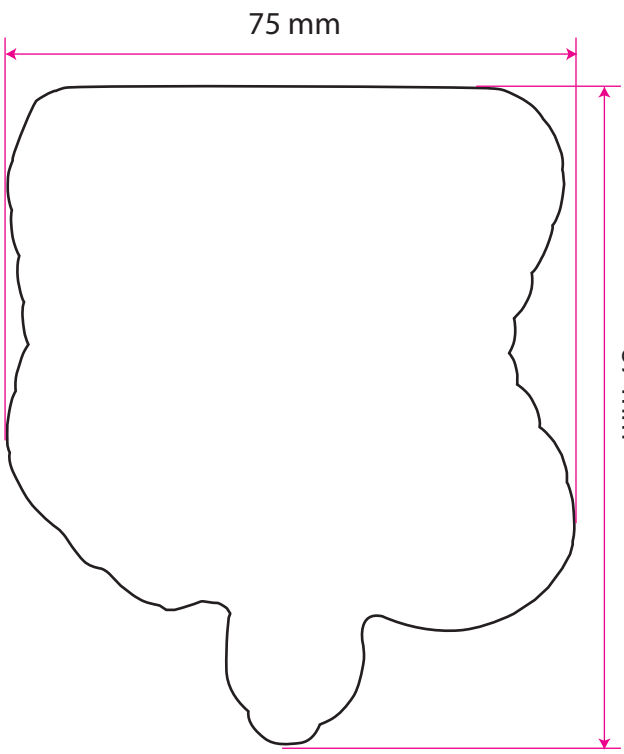
Model 149



Model 083



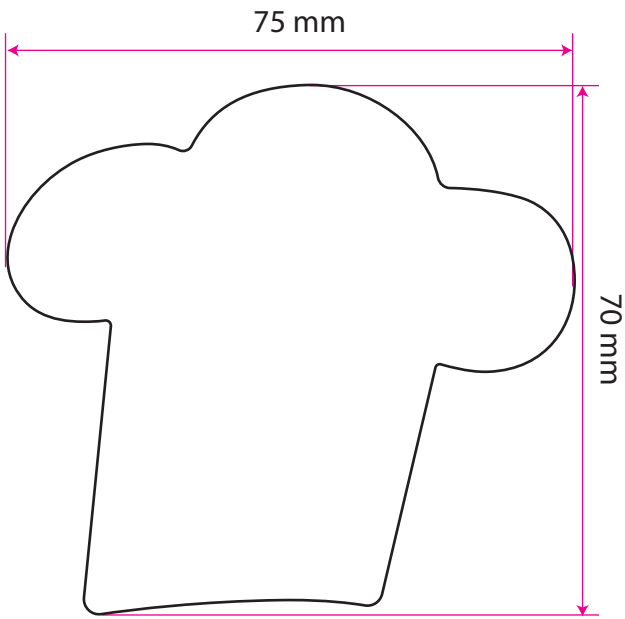
Model 295



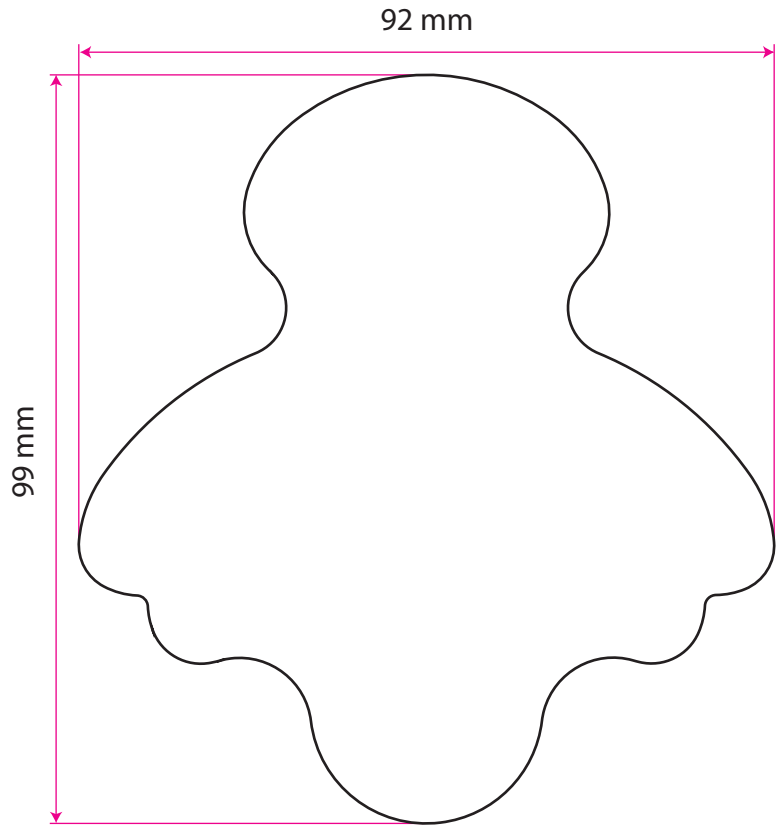
Model 237



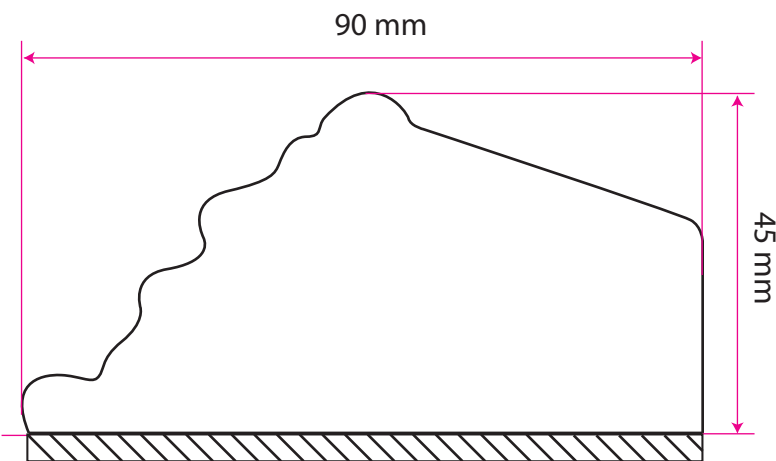
Model 091



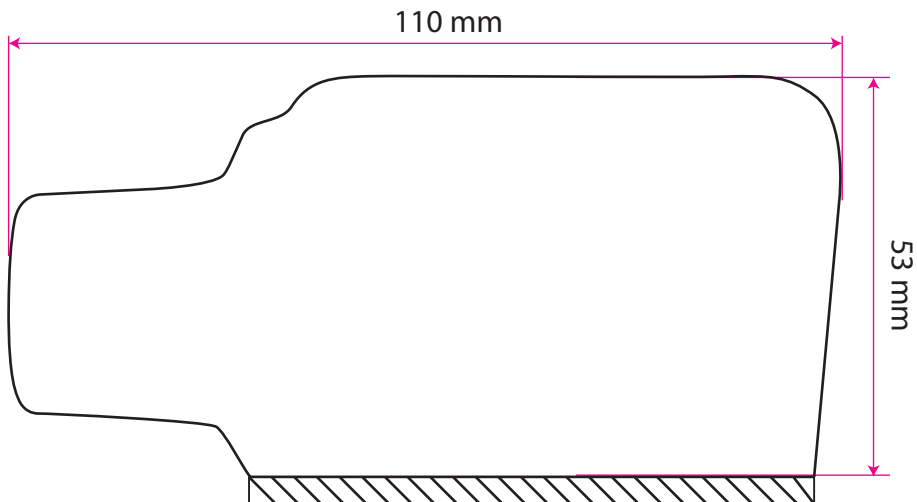
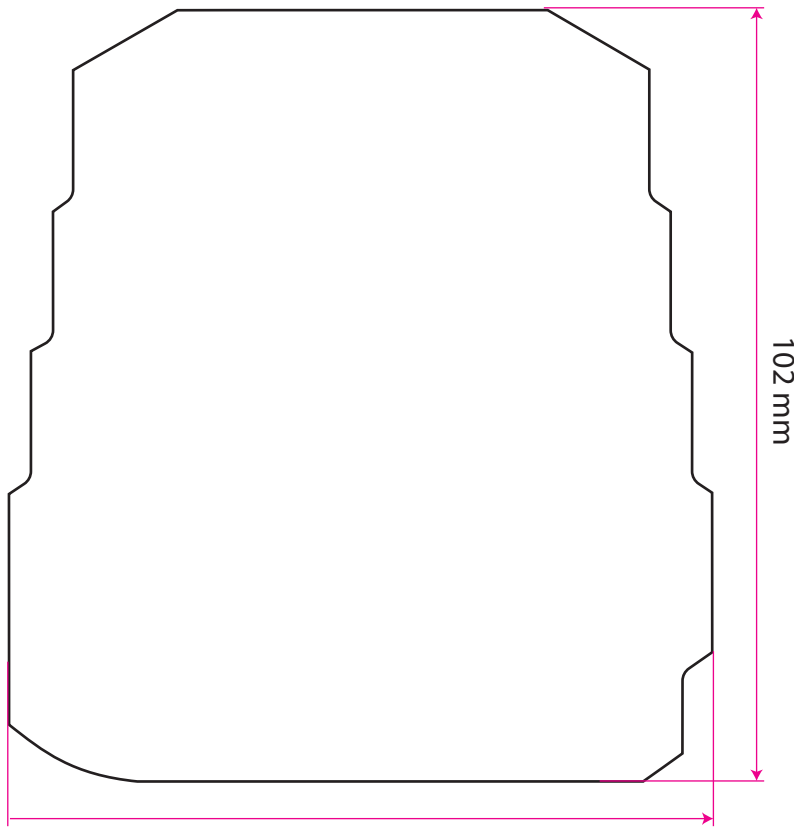
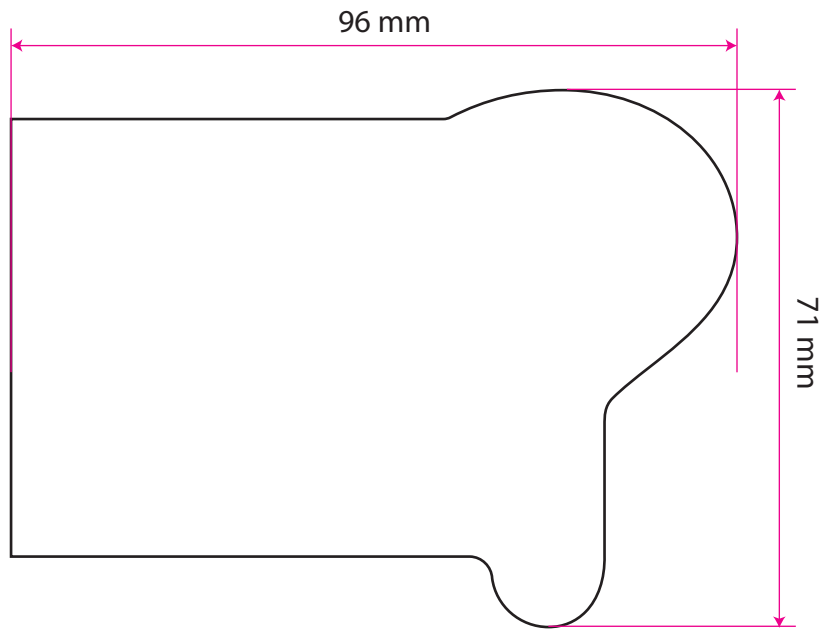
Model 231

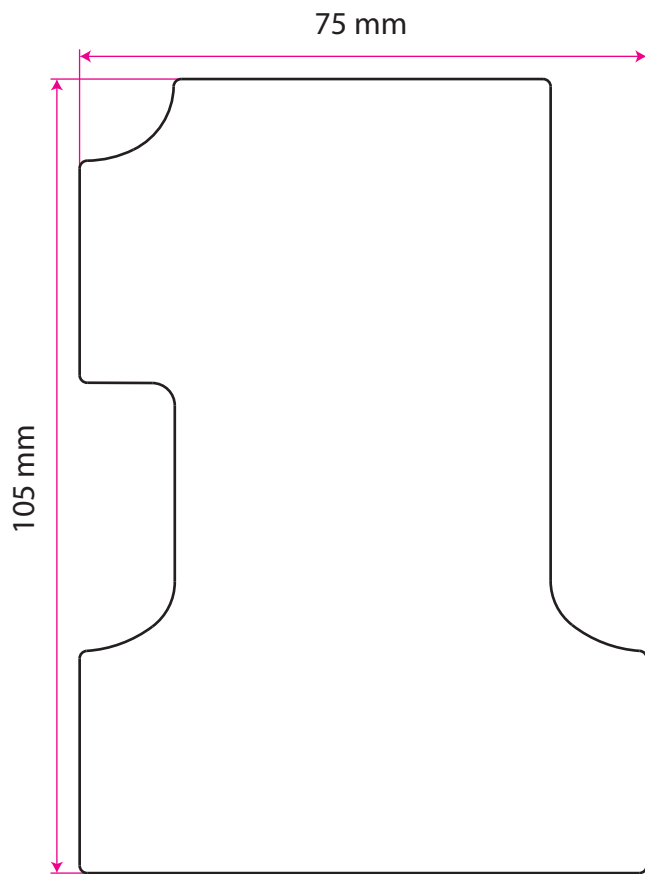


Model 100

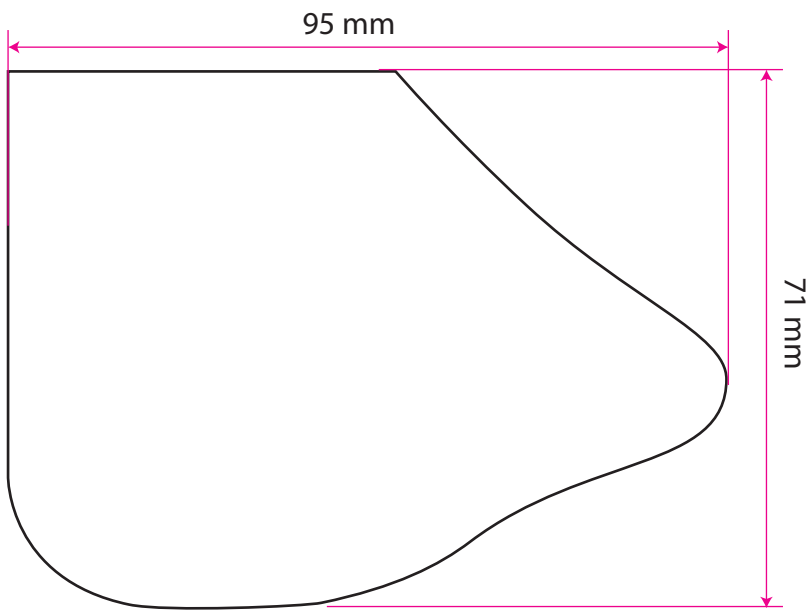
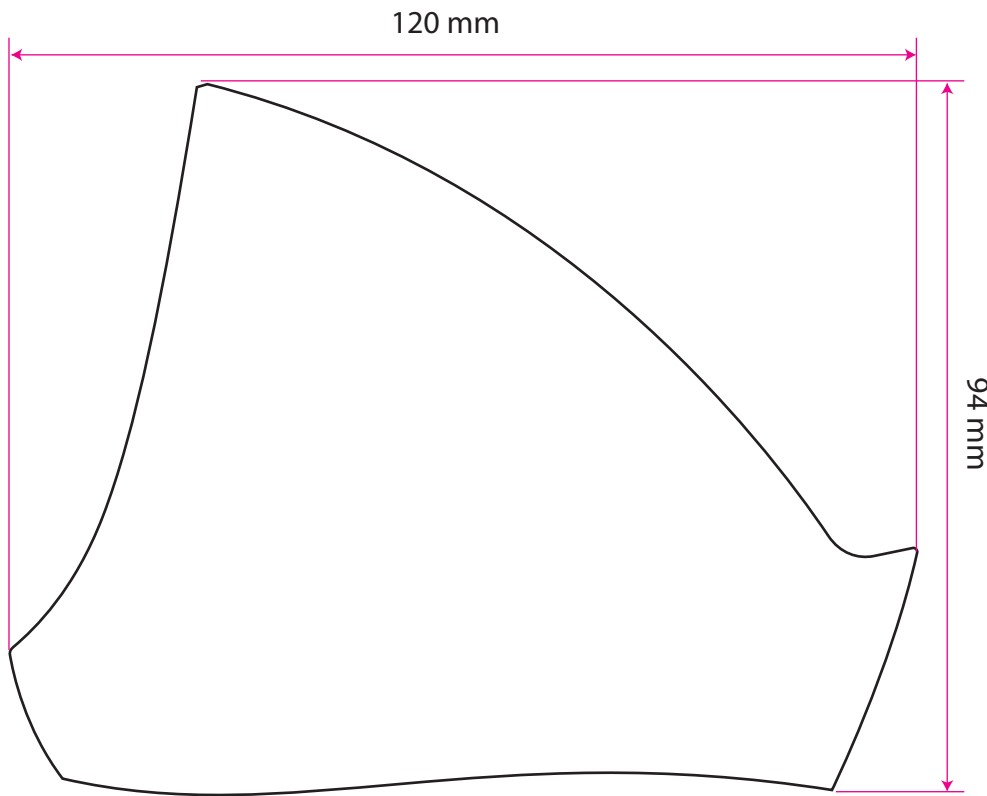


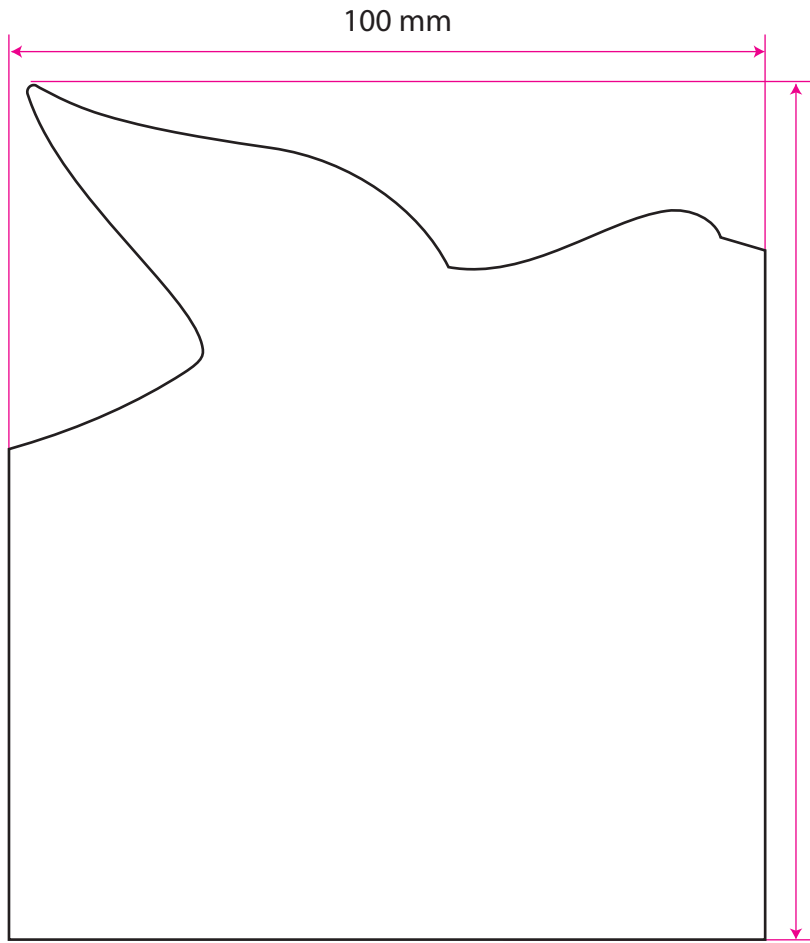
Model 204



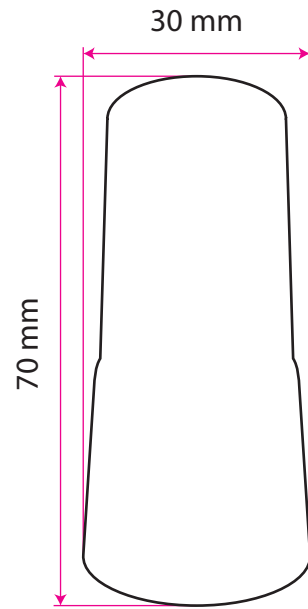
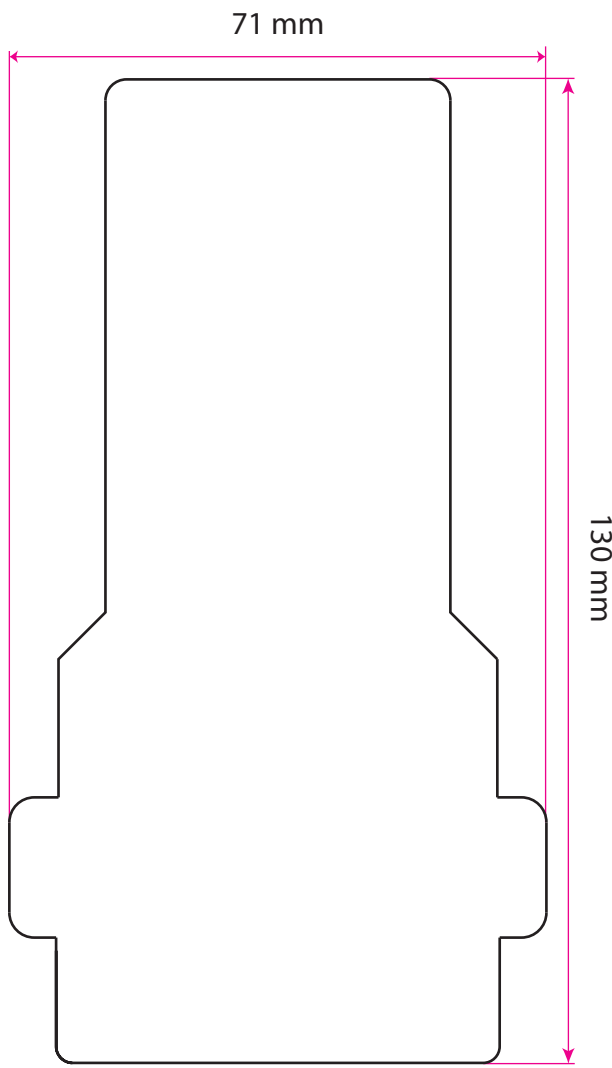
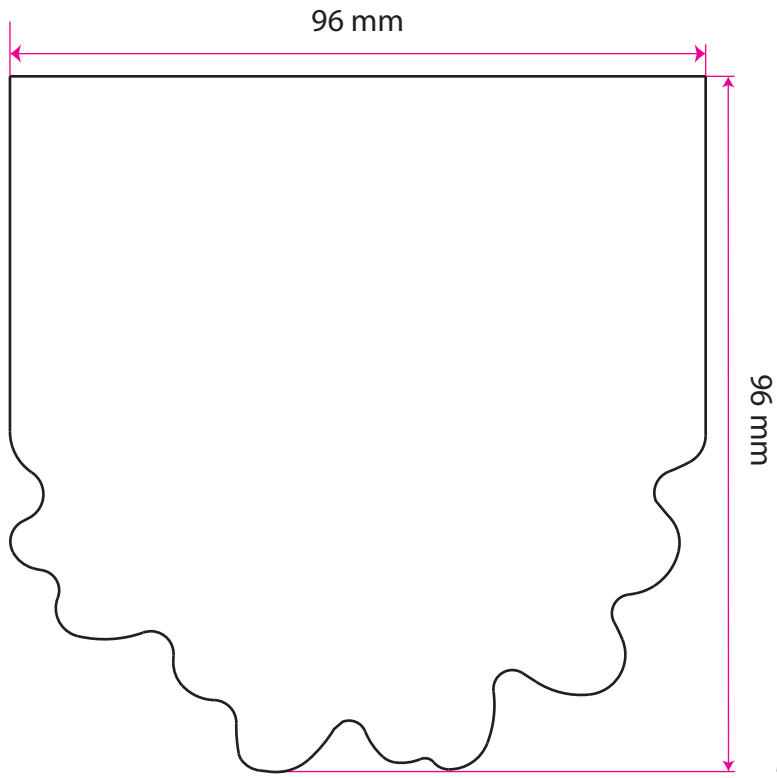


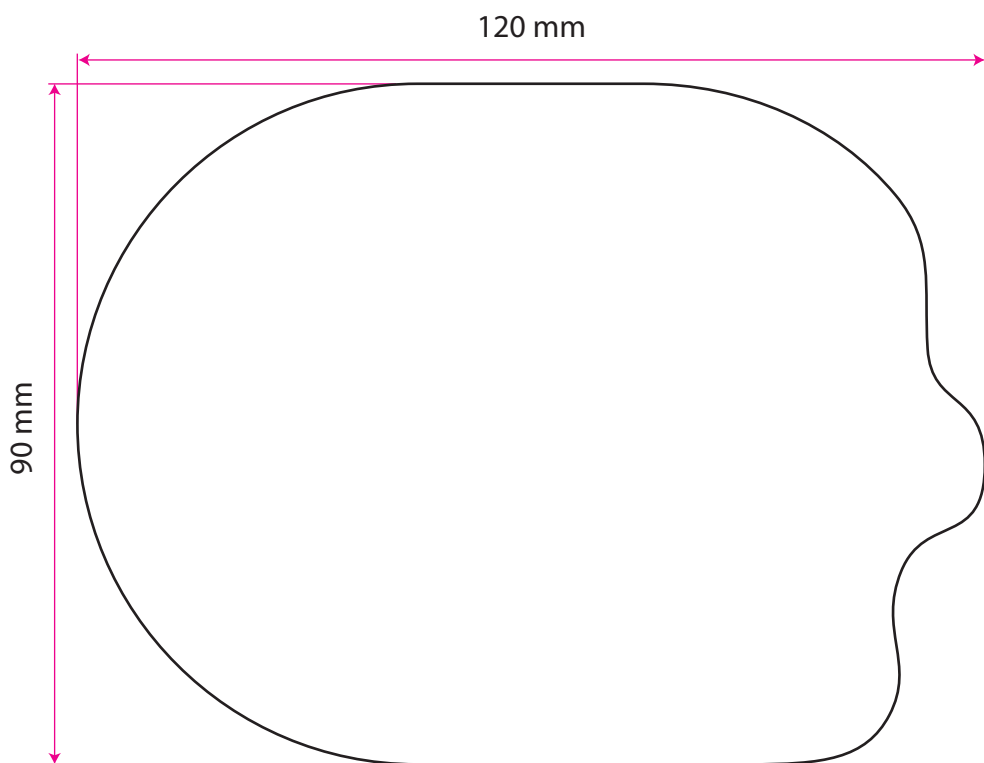
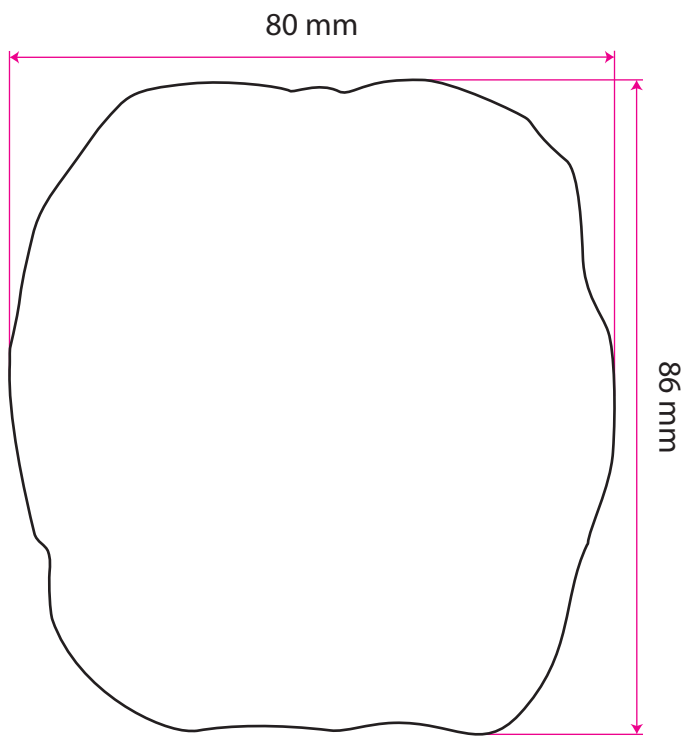
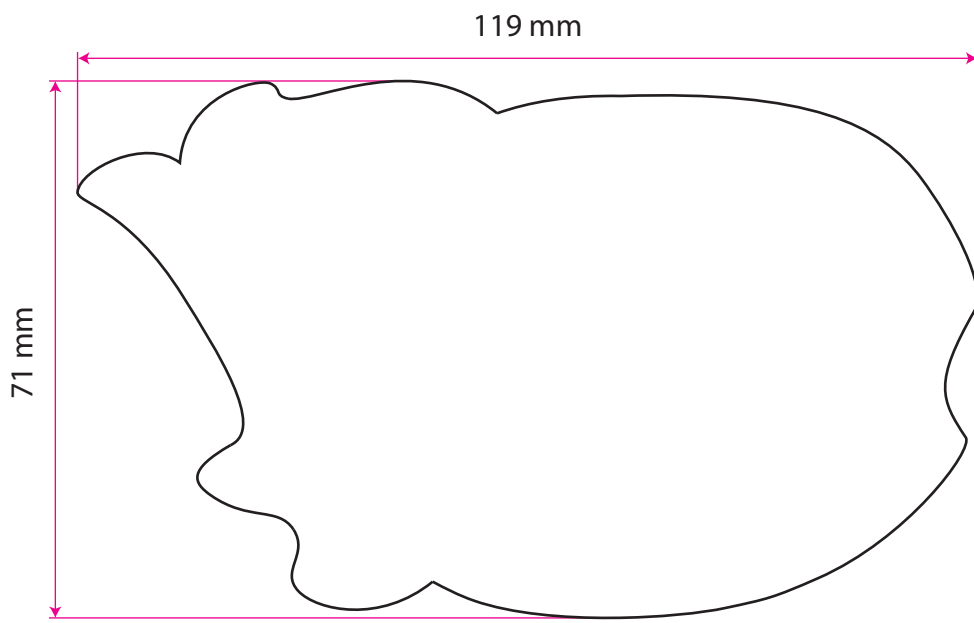
Model 089

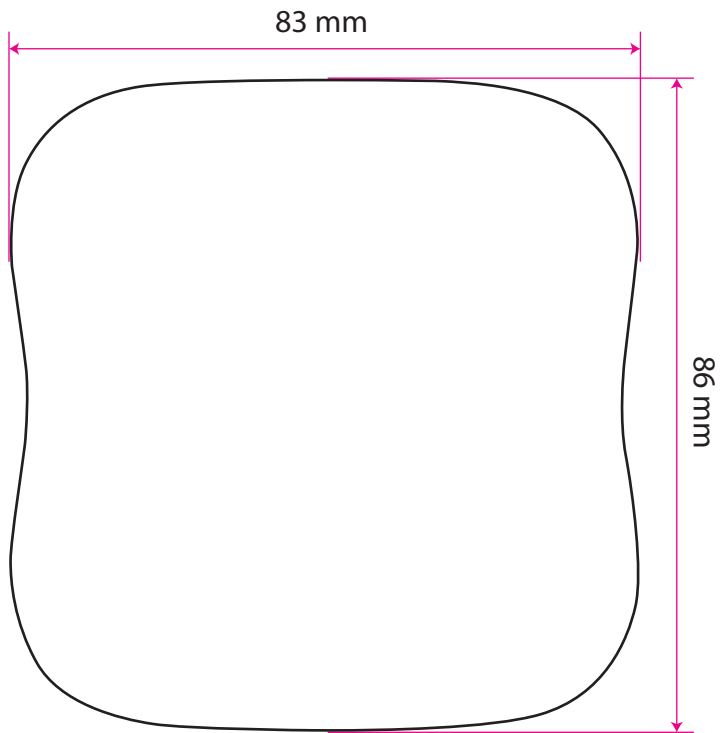
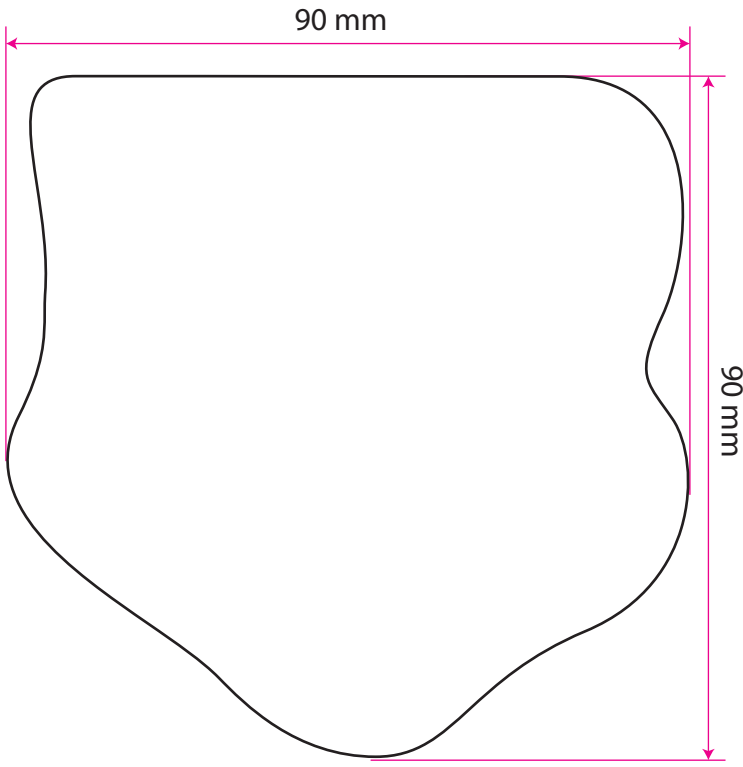




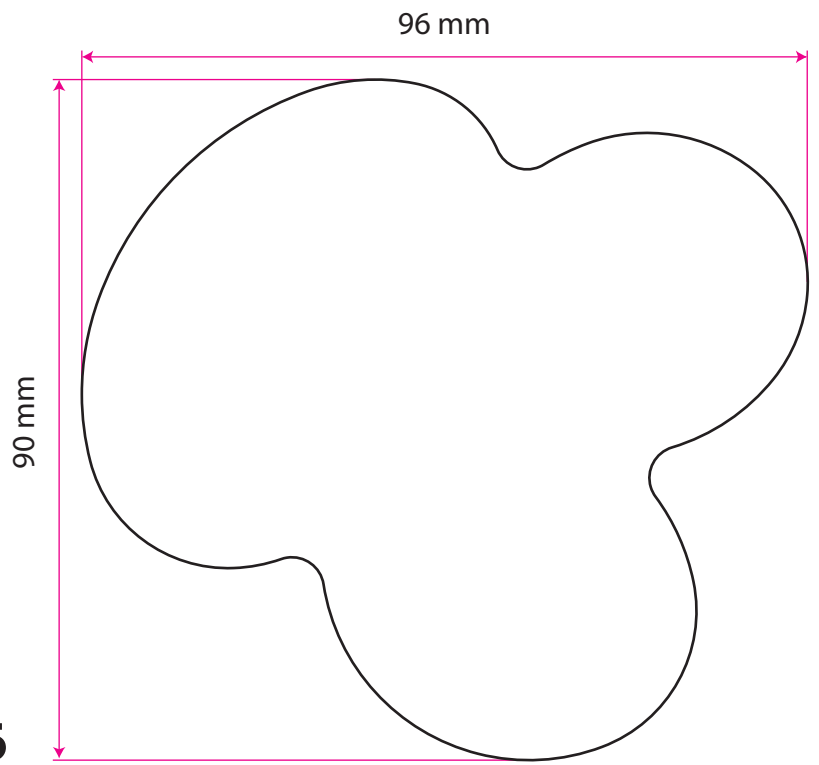
Model 210



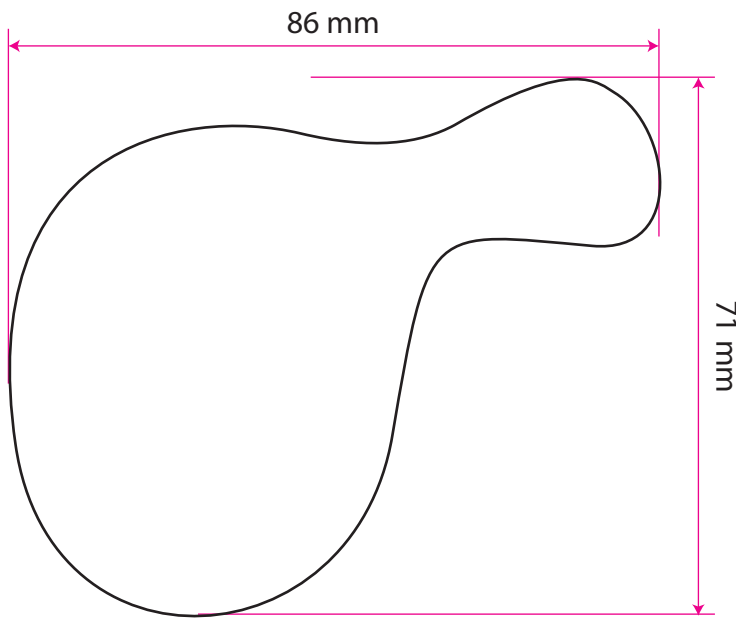




Model 126



Model 248



Model 234

